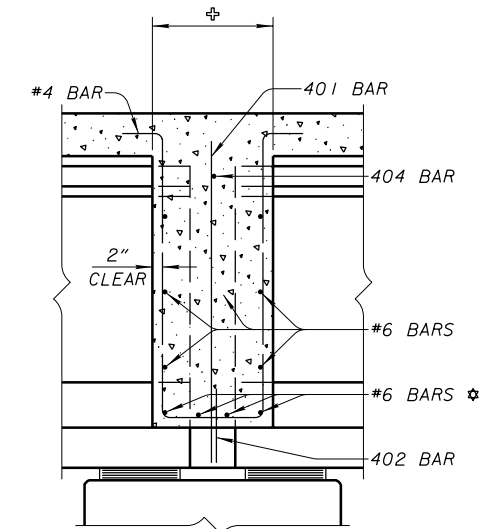
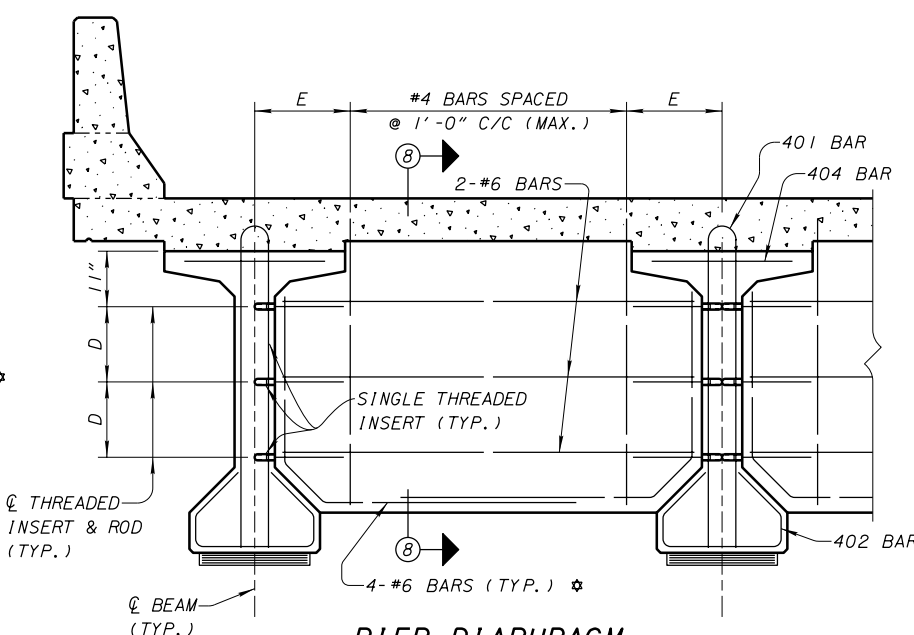
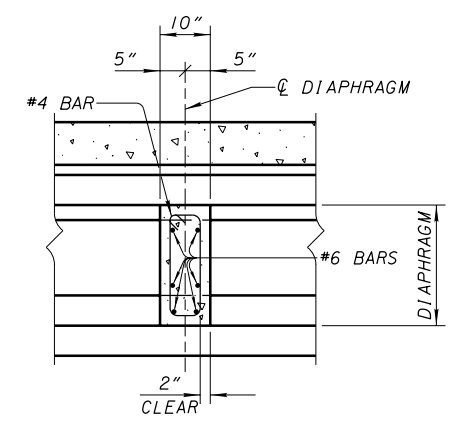
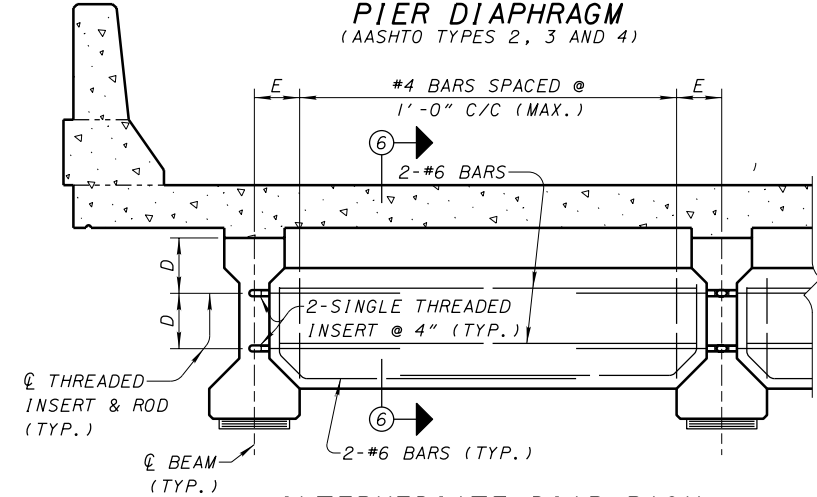


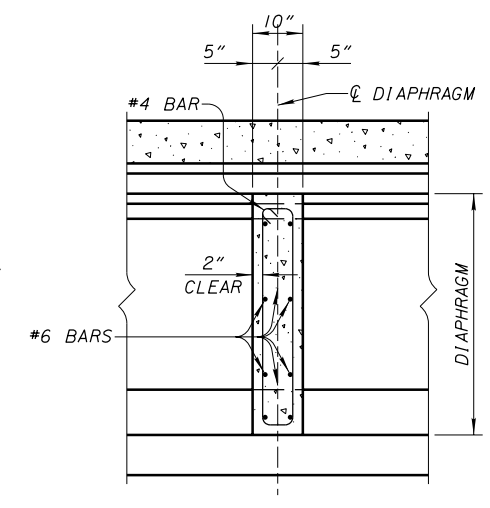
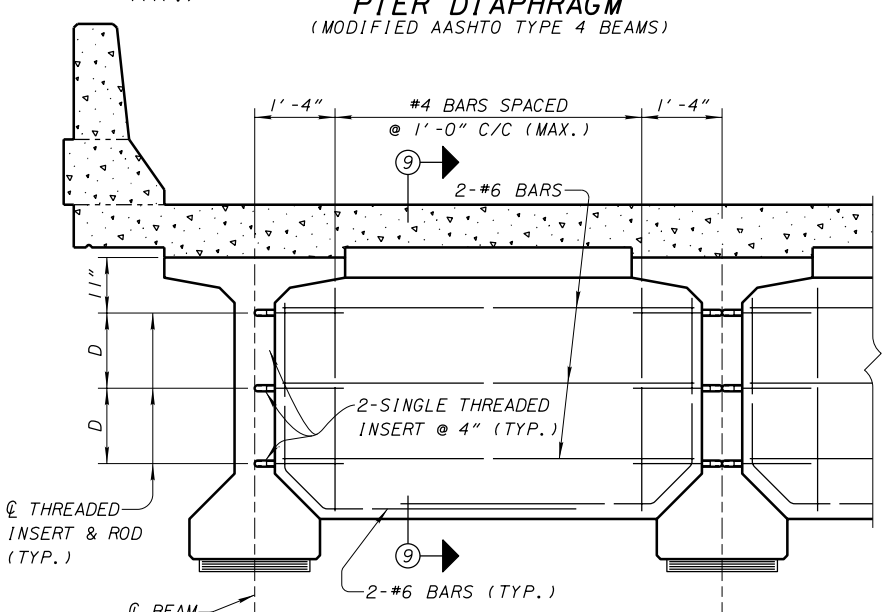
SECTION 5-5
(PARTIAL PIER SHOWN)



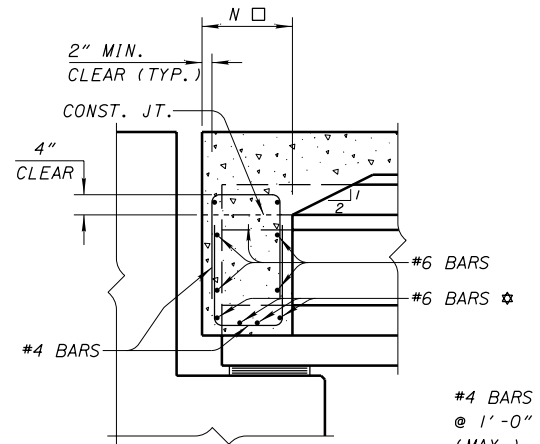
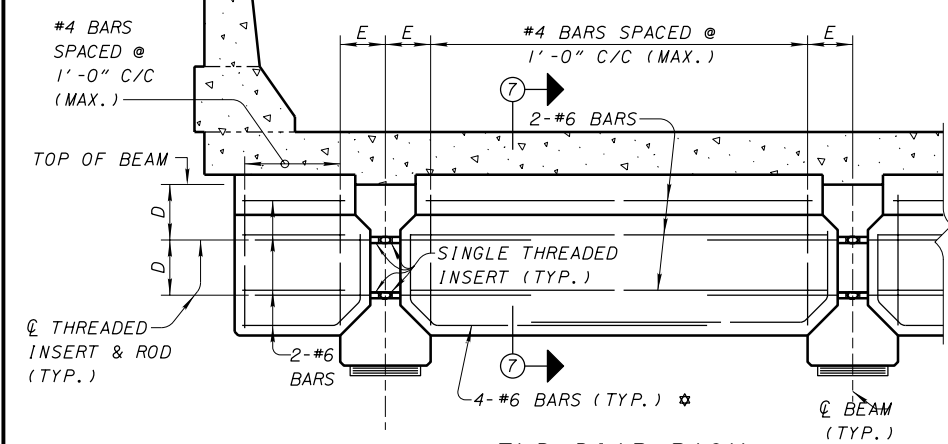
SECTION 8-8
(PARTIAL PIER SHOWN)



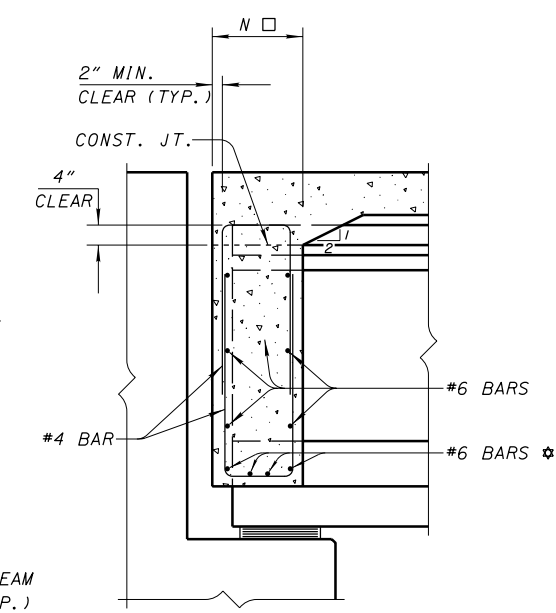
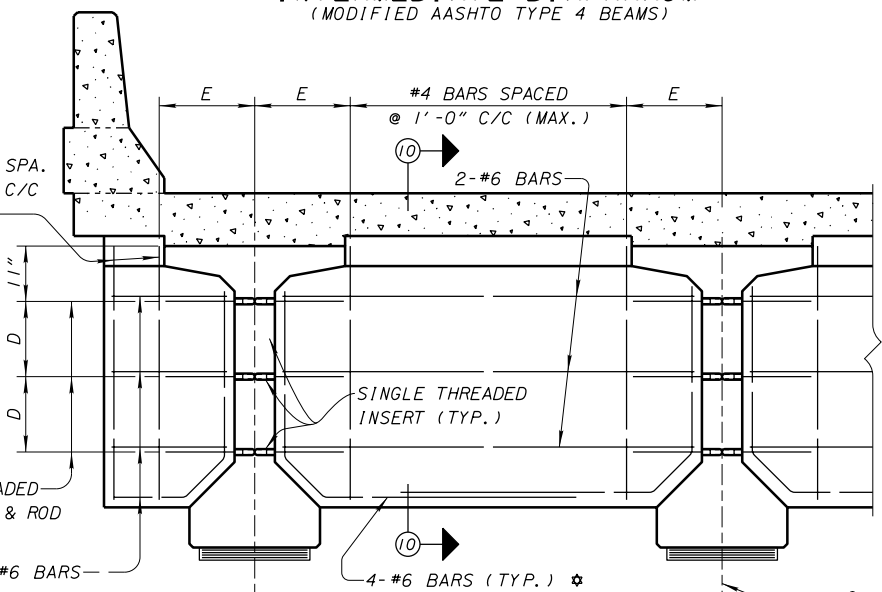
SECTION 6-6



SECTION 9-9



SECTION 7-7
(PARTIAL ABUTMENT SHOWN)



SECTION 10-10
(PARTIAL ABUTMENT SHOWN)

SECTION	DIM. D	DIM. E
AASHTO TYPE 2	11"	9"
AASHTO TYPE 3	1'-2"	11"
AASHTO TYPE 4	1'-5"	1'-1"
MODIFIED AASHTO TYPE 4 (60")	1'-3"	1'-8"
MODIFIED AASHTO TYPE 4 (66")	1'-6"	1'-8"
MODIFIED AASHTO TYPE 4 (72")	1'-9"	2'-2"

ALL VERTICAL BARS SHALL BE PLACED PARALLEL TO BEAMS.

⊕ - REFER TO SHEET 4 / 8 FOR DIMENSION DEFINITION.
 □ - REFER TO SHEET 3 / 8 FOR DIMENSION DEFINITION.
 * - FOR BEAM SPACINGS EXCEEDING 9'-0", USE 4-#8 BARS.
 REFER TO SHEET 7 / 8 FOR THREADED INSERT AND STRAND EXTENSION DETAILS.
 REFER TO SHEET 1 / 8 FOR 401, 402, 403 & 404 BENDING DIAGRAMS.