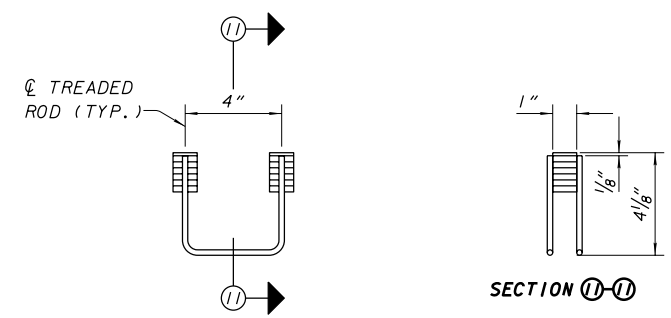
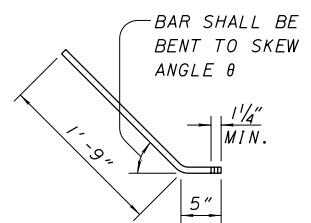


SINGLE THREADED INSERT
(3,000 LB PROOF LOAD)

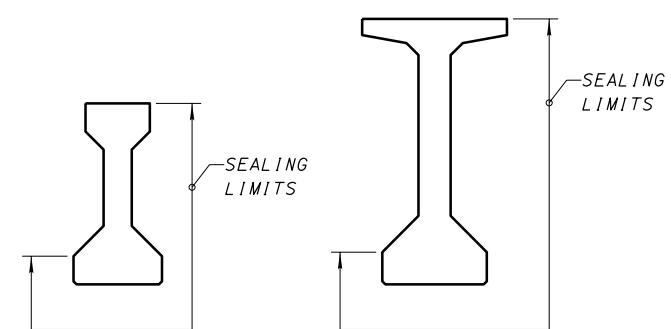


DOUBLE THREADED INSERT
(6,000 LB PROOF LOAD)

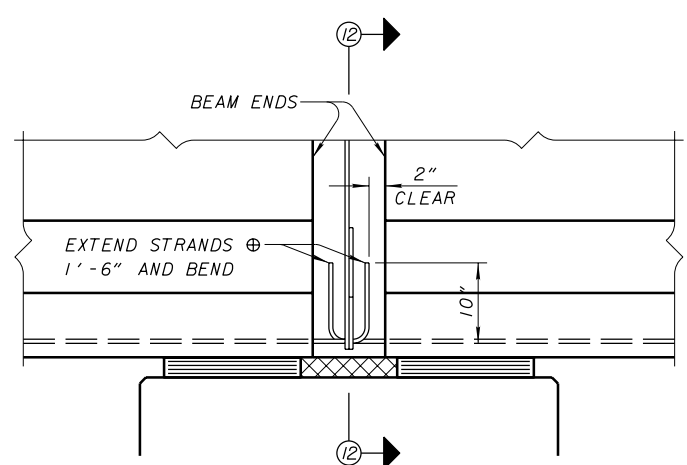
NOTE - THE GIRDER FABRICATOR MAY USE DOUBLE THREADED INSERTS IN LIEU OF TWO SINGLE INSERTS SPACED AT 4" ON CENTER AT THE CONCRETE INTERMEDIATE DIAPHRAGM LOCATIONS.



3/4" DIA. x 2'-2" THREADED ROD
SHALL CONFORM TO 709.01, 709.03 OR 709.05 WITH THREADS FORMED PRIOR TO GALVANIZING.

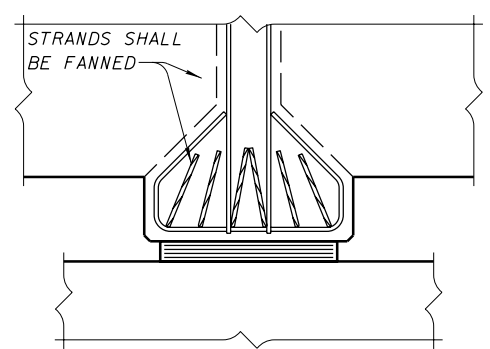


SEALING OF FASCIA BEAMS



EXTENDED STRAND DETAIL

⊕ - THE NUMBER OF STRANDS TO BE BENT SHALL BE THE LARGER OF ONE HALF THE NUMBER OF ROW 1 STRANDS OR THE NUMBER OF STRANDS SUFFICIENT TO RESIST THE POSITIVE LIVE LOAD MOMENT AT THE PIER. ALTERNATE STRANDS IN ABUTTING BEAMS TO AVOID INTERFERENCE.



SECTION 12-12
(PARTIAL PIER AND DIAPHRAGM SHOWN)