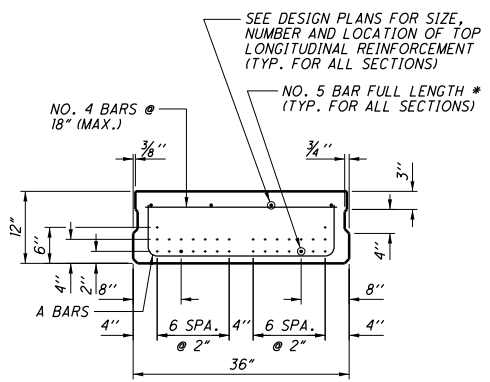
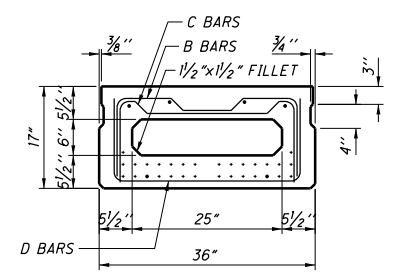


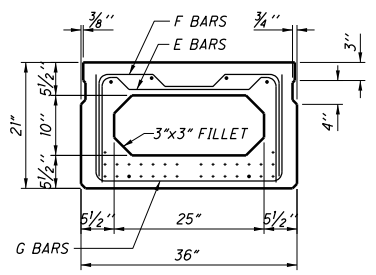
\* - TWO BOTTOM REINFORCING BARS (NO. 5 FULL LENGTH) SHALL BE LOCATED AS SHOWN. IF NECESSARY, A LAP OF 3'-3" SHALL BE LOCATED WITHIN THE OUTER QUARTER OF THE SPAN.



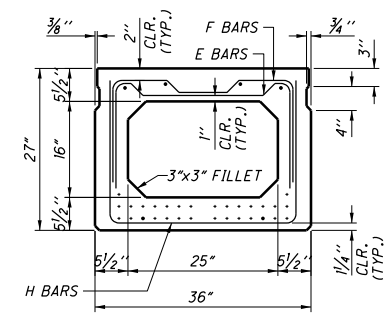
**B12-36**  
 (STRAND PATTERN TYPICAL FOR ALL 36" WIDE BEAMS)



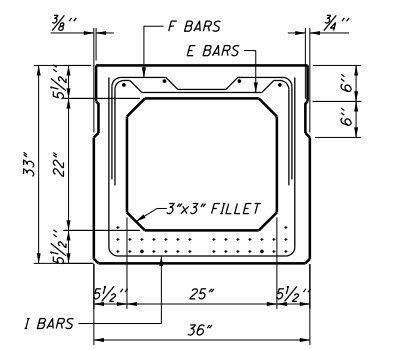
**B17-36**



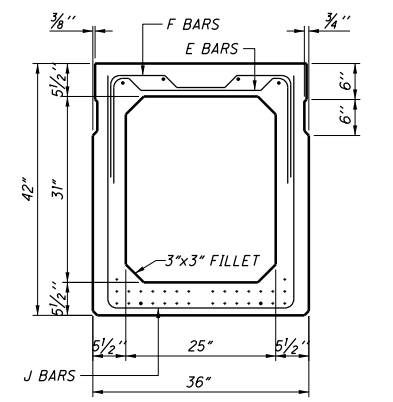
**B21-36**



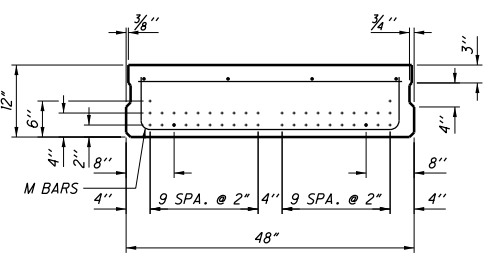
**B27-36**



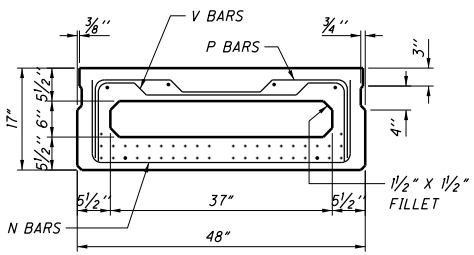
**B33-36**



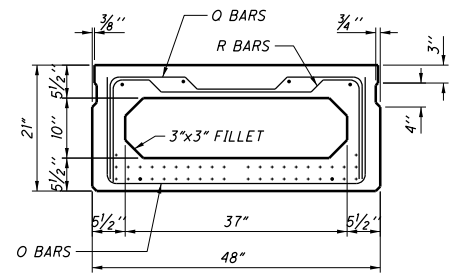
**B42-36**



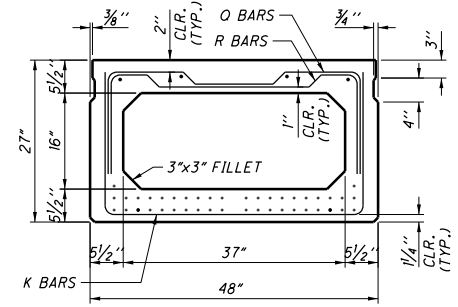
**B12-48**  
 (STRAND PATTERN TYPICAL FOR ALL 48" WIDE BEAMS)



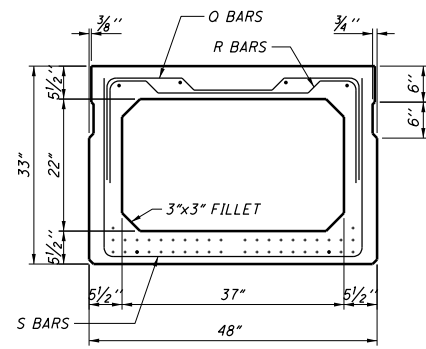
**B17-48**



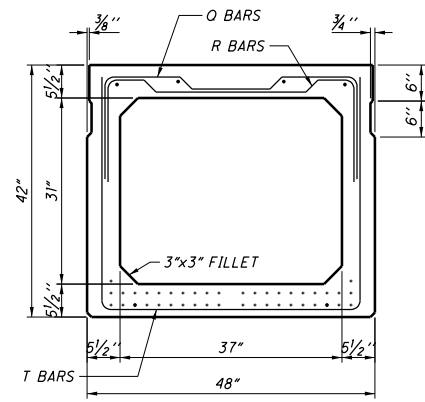
**B21-48**



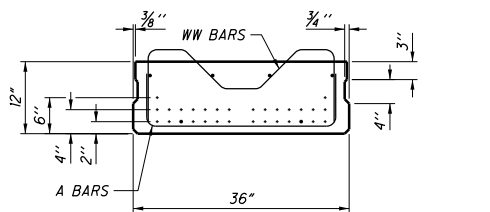
**B27-48**



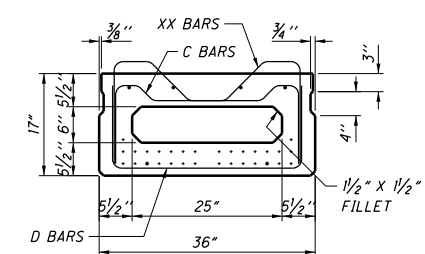
**B33-48**



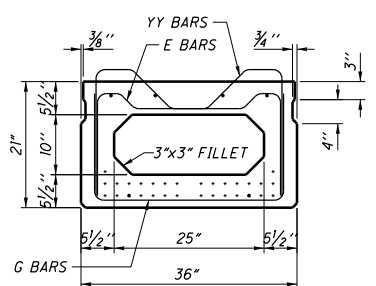
**B42-48**



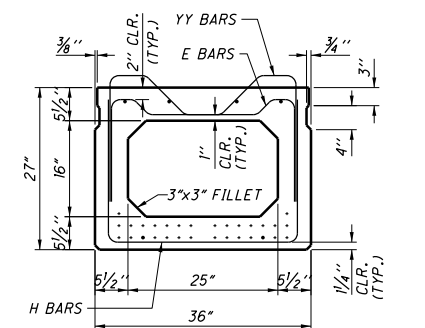
**CB12-36**



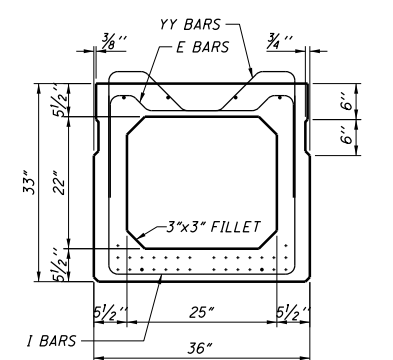
**CB17-36**



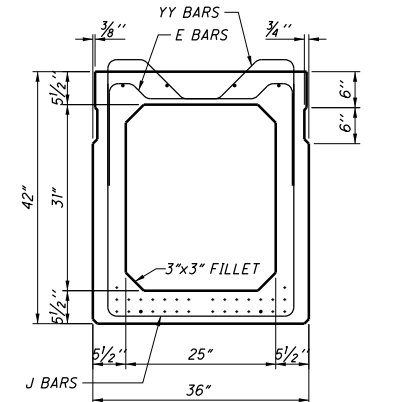
**CB21-36**



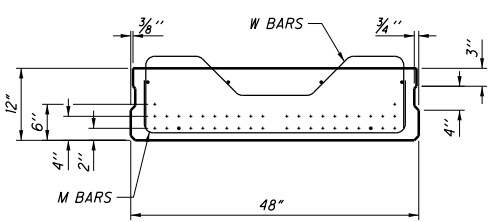
**CB27-36**



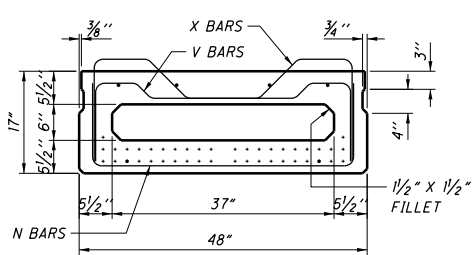
**CB33-36**



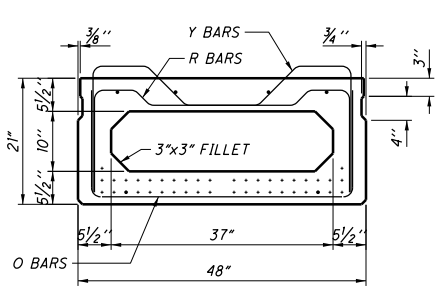
**CB42-36**



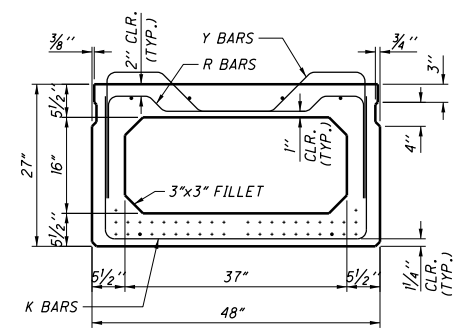
**CB12-48**



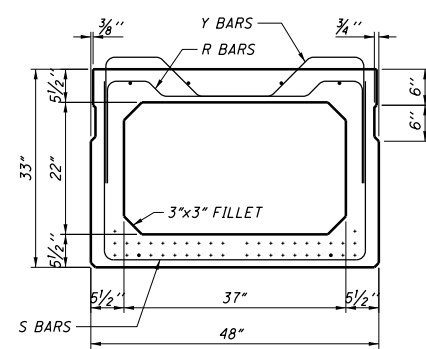
**CB17-48**



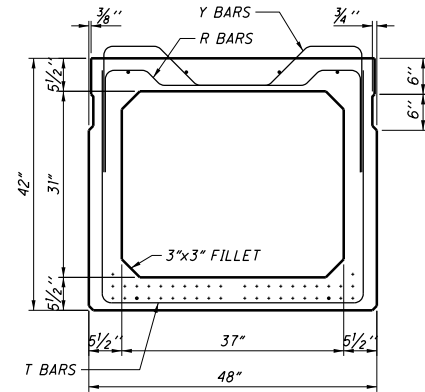
**CB21-48**



**CB27-48**



**CB33-48**



**CB42-48**

NOTES:  
 1. STRANDS SHALL BE PLACED AS SHOWN AND SHALL BE DISTRIBUTED SYMMETRICALLY OVER THE BEAM WIDTH. STRAND PATTERN AND THE DEBOND LENGTH SHALL BE SYMMETRICAL ABOUT THE VERTICAL C OF THE BEAM. DEBONDED STRANDS SHALL BE IN THE BOTTOM LAYER.  
 2. ALTERNATE TOP STIRRUPS TO LAP BOTTOM STIRRUPS AT EACH END OF BEAM WHERE TWO TYPES OF TOP STIRRUPS ARE PROVIDED.  
 3. THE MINIMUM TOP LONGITUDINAL REINFORCING STEEL SHALL BE 4-NO. 5 BARS. SEE PROJECT PLANS FOR ADDITIONAL REQUIREMENTS.

NOTES: (CONTINUED)  
 4. FABRICATOR'S SHOP DRAWINGS SHALL SHOW COMPLETE DETAILS OF BEAM REINFORCING.  
 5. SEE SHEET 4 OF 4 FOR REINFORCEMENT DETAILS, BENDING DIAGRAMS, AND BEAM SECTION PROPERTIES.

**36" WIDE NON-COMPOSITE BEAMS**

**48" WIDE NON-COMPOSITE BEAMS**

**36" WIDE COMPOSITE BEAMS**

**48" WIDE COMPOSITE BEAMS**