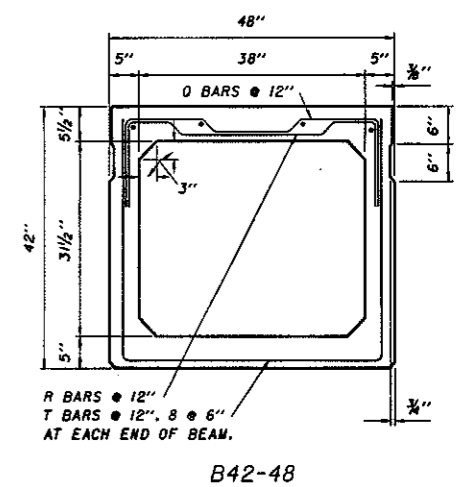
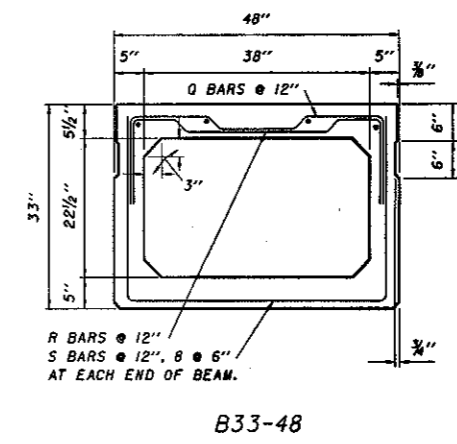
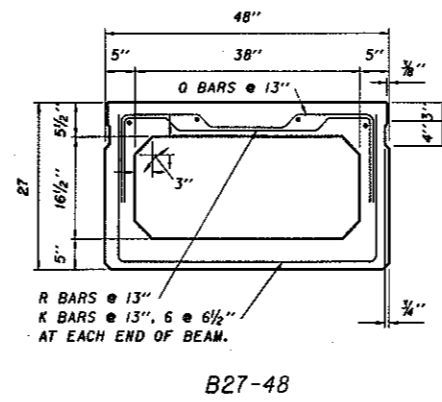
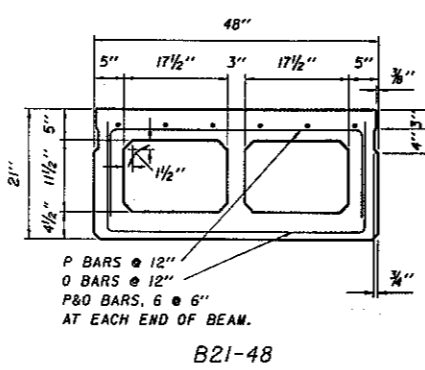
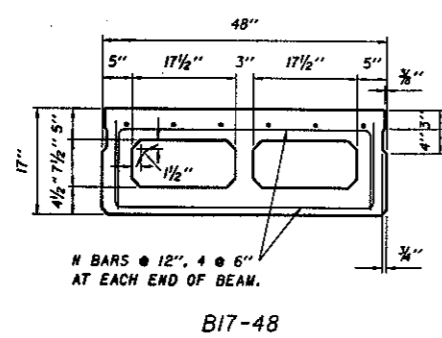
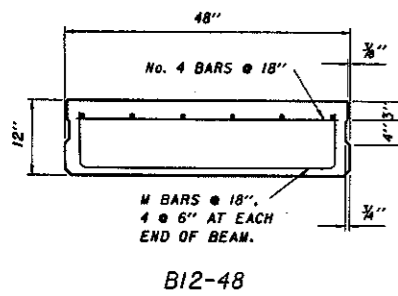
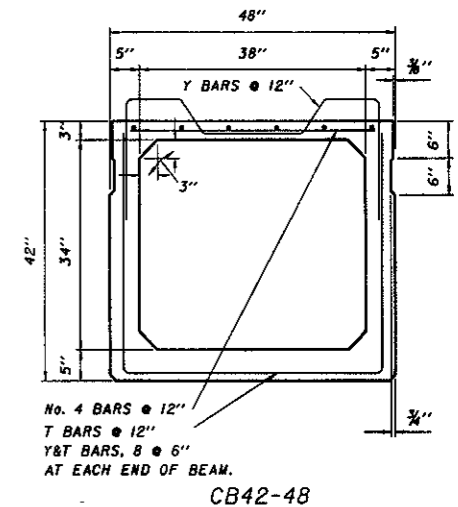
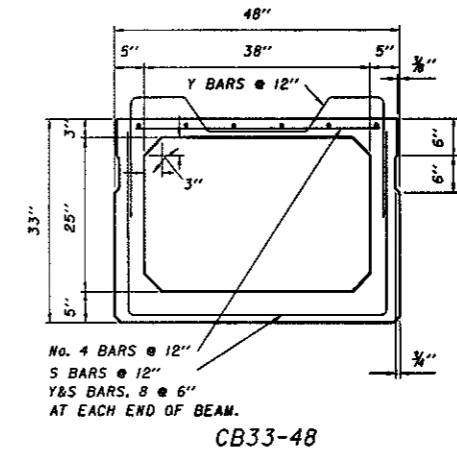
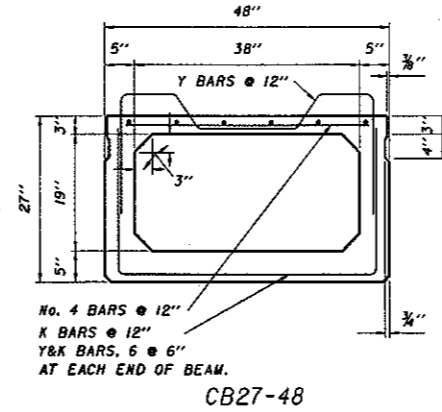
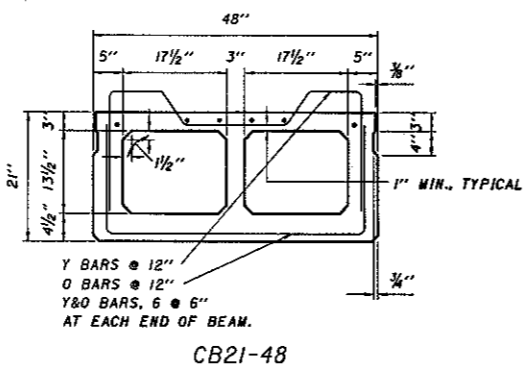
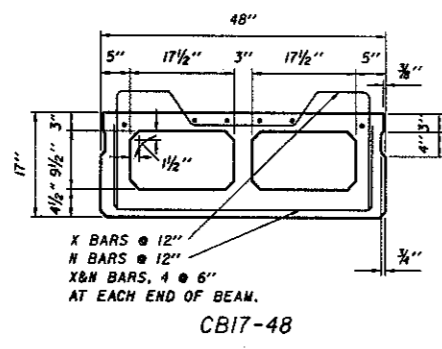
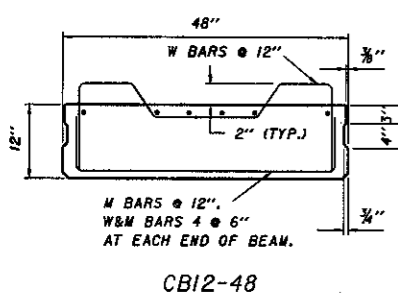


36" WIDE NON-COMPOSITE BEAMS



48" WIDE NON-COMPOSITE BEAMS



48" WIDE COMPOSITE BEAMS

BENT REINFORCING BARS						BENDING DIAGRAMS	
MARK	TYPE	A	B	C	D	E	
A	1	31"	8"				
B	2	31"	13"	10"	1 1/2"	8"	
C	2	31"	13"	4"	1 1/2"	20"	
D	1	31"	13"				
E	2	31"	17"	4"	1 1/2"	20"	
F	2	31"	17"	10"	1 1/2"	8"	
G	1	31"	17"				
H	1	31"	23"				
I	1	31"	29"				
J	1	31"	38"				
K	1	43"	23"				
M	1	43"	8"				
N	1	43"	13"				
O	1	43"	17"				
P	1	43"	17"				
Q	2	43"	17"	13"	2"	13"	
R	2	43"	17"	7"	2"	25"	
S	1	43"	29"				
T	1	43"	38"				
W	2	43"	10"	9"	4"	17"	
X	2	43"	17"	9"	4"	17"	
Y	2	43"	21"	9"	4"	17"	
WW	2	31"	12"	6"	4"	11"	
XX	2	31"	17"	6"	4"	11"	
YY	2	31"	21"	6"	4"	11"	

NOTE: ALL BARS ARE #4

NOTE:
 ALTERNATE TOP STIRRUPS TO LAP BOTTOM STIRRUPS AT EACH END OF BEAM WHERE TWO TYPES OF TOP STIRRUPS ARE PROVIDED.
 36" WIDE COMPOSITE BEAMS ARE SHOWN ON SHEET 4 OF 4.
 MINIMUM TOP LONGITUDINAL REINFORCING STEEL
 36" WIDE NON-COMPOSITE & COMPOSITE BEAMS: 4-No. 5 BARS.
 48" WIDE NON-COMPOSITE BEAMS: B12 THRU B21, 6-No. 4 BARS B27 THRU B42, 4-No. 5 BARS
 48" WIDE COMPOSITE BEAMS: 6-No. 4 BARS
 SEE PROJECT PLANS FOR ANY ADDITIONAL LONGITUDINAL REINFORCING STEEL BARS REQUIRED.
 ALL REINFORCING STEEL ARE GRADE 60 BARS
 FABRICATOR'S SHOP DRAWINGS SHALL SHOW COMPLETE DETAILS OF BEAM REINFORCING.

STATE OF OHIO DEPARTMENT OF TRANSPORTATION BUREAU OF BRIDGES AND STRUCTURAL DESIGN		STANDARD PRESTRESSED CONCRETE BOX BEAM BRIDGE DETAILS	
APPROVED:	DATE: 3-9-94	ENGINEER OF BRIDGES	DRAWING NO. PSBD-1-93
PREPARED: MRG	DRAWN: REF	CHECKED: SEM	REVIEWED: LMW
SHEET NO. 3 OF 4 SHEETS			