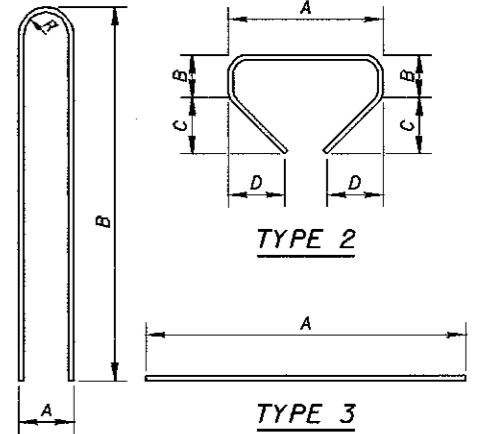


| SECTION PROPERTIES | | | | | | | | |
|------------------------------|-------------------------|----------------|---------------------|---------------------|----------------------|-----------------------------------|-----------------------------------|--------------|
| SECTION | AREA (in ²) | WEIGHT (lb/ft) | Y _b (in) | Y _t (in) | I (in ⁴) | S _b (in ³) | S _t (in ³) | Vol/Sur (in) |
| AASHTO TYPE 2 | 369 | 384 | 15.83 | 20.17 | 50,979 | 3,221 | 2,527 | 3.371 |
| AASHTO TYPE 3 | 560 | 583 | 20.27 | 24.73 | 125,390 | 6,185 | 5,071 | 4.056 |
| AASHTO TYPE 4 | 789 | 822 | 24.73 | 29.27 | 260,741 | 10,542 | 8,909 | 4.741 |
| MODIFIED AASHTO TYPE 4 (60") | 860 | 896 | 28.74 | 31.26 | 384,705 | 13,385 | 12,307 | 4.089 |
| MODIFIED AASHTO TYPE 4 (66") | 908 | 946 | 31.58 | 34.42 | 492,212 | 15,588 | 14,299 | 4.085 |
| MODIFIED AASHTO TYPE 4 (72") | 956 | 996 | 34.43 | 37.57 | 616,018 | 17,893 | 16,396 | 4.080 |

| BEAM MARK | NUMBER OF STRANDS PER ROW | | | | | | | | TOTAL STRANDS | CONCRETE STRENGTHS | | | | | |
|-----------|---------------------------|---|---|---|---|---|---|---|---------------|--------------------|-----|----------------|----------------|----------------|----------------|
| | ① | ② | ③ | ④ | ⑤ | ⑥ | ⑦ | ⑧ | | f'ci | f'c | 401 BARS REQ'D | 402 BARS REQ'D | 403 BARS REQ'D | 404 BARS REQ'D |
| | | | | | | | | | | | | | | | |
| | | | | | | | | | | | | | | | |
| | | | | | | | | | | | | | | | |
| | | | | | | | | | | | | | | | |

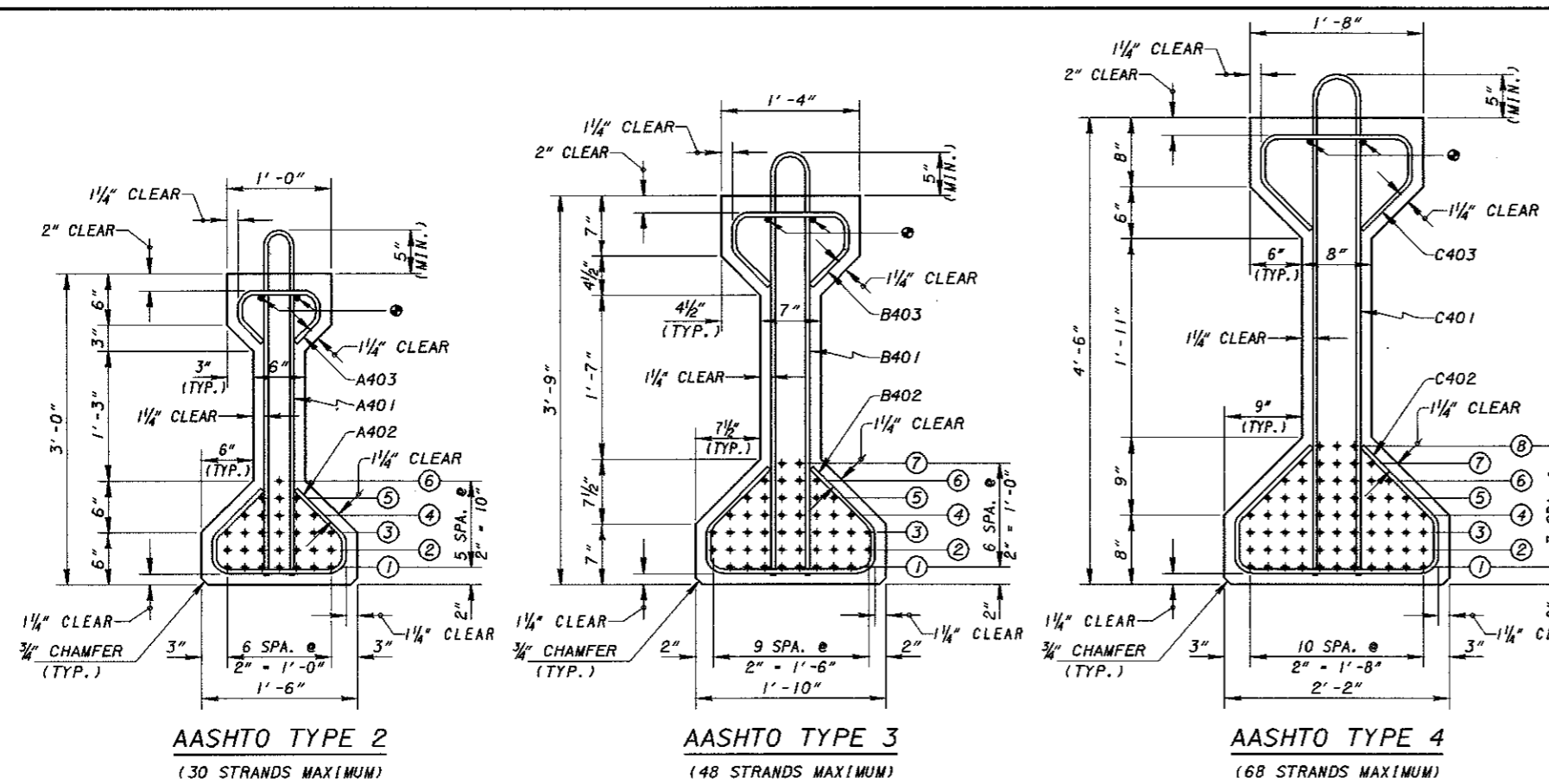
(THIS TABLE SHALL BE REPRODUCED IN THE PROJECT PLANS.)



BENDING DIAGRAMS (ALL DIMENSIONS ARE OUT-TO-OUT)

| MARK | TYPE | DIMENSIONS | | | | |
|------------------------------|------|------------|--------|--------|--------|--------|
| | | A | B | C | D | R |
| AASHTO TYPE 2 | | | | | | |
| A401 | 1 | 3 1/2" | 3'-4" | | | 1 1/4" |
| A402 | 2 | 1'-3 1/2" | 4 1/4" | 5 1/2" | 5 1/2" | |
| A403 | 2 | 9 1/2" | 3 1/2" | 2 1/2" | 2 1/2" | |
| AASHTO TYPE 3 | | | | | | |
| B401 | 1 | 4 1/2" | 4'-1" | | | 1 3/4" |
| B402 | 2 | 1'-7 1/2" | 5 1/4" | 7" | 7" | |
| B403 | 2 | 1'-1 1/2" | 4 1/2" | 4" | 4" | |
| AASHTO TYPE 4 | | | | | | |
| C401 | 1 | 5 1/2" | 4'-10" | | | 2 1/4" |
| C402 | 2 | 1'-11 1/2" | 6 1/4" | 8 1/2" | 8 1/2" | |
| C403 | 2 | 1'-5 1/2" | 5 1/2" | 5 1/2" | 5 1/2" | |
| MODIFIED AASHTO TYPE 4 (60") | | | | | | |
| D401 | 1 | 5 1/2" | 5'-4" | | | 2 1/4" |
| D402 | 2 | 1'-11 1/2" | 6 1/4" | 8 1/2" | 8 1/2" | |
| D404 | 3 | 2'-8" | | | | |
| MODIFIED AASHTO TYPE 4 (66") | | | | | | |
| E401 | 1 | 5 1/2" | 5'-10" | | | 2 1/4" |
| E402 | 2 | 1'-11 1/2" | 6 1/4" | 8 1/2" | 8 1/2" | |
| E404 | 3 | 2'-8" | | | | |
| MODIFIED AASHTO TYPE 4 (72") | | | | | | |
| F401 | 1 | 5 1/2" | 6'-4" | | | 2 1/4" |
| F402 | 2 | 1'-11 1/2" | 6 1/4" | 8 1/2" | 8 1/2" | |
| F404 | 3 | 2'-8" | | | | |

BAR SIZE IS INDICATED IN THE BAR MARK. THE FIRST LETTER IDENTIFIES THE BAR LOCATION, THE NEXT DIGIT INDICATES THE INCH-POUND BAR SIZE AND THE REMAINING DIGITS ITS SEQUENCE NUMBER. ALL STEEL SHALL BE EPOXY COATED.



• THE NUMBER OF BARS SHALL BE PROVIDED AS SHOWN. BAR SIZE SHALL BE DETERMINED BY ANALYSIS.

