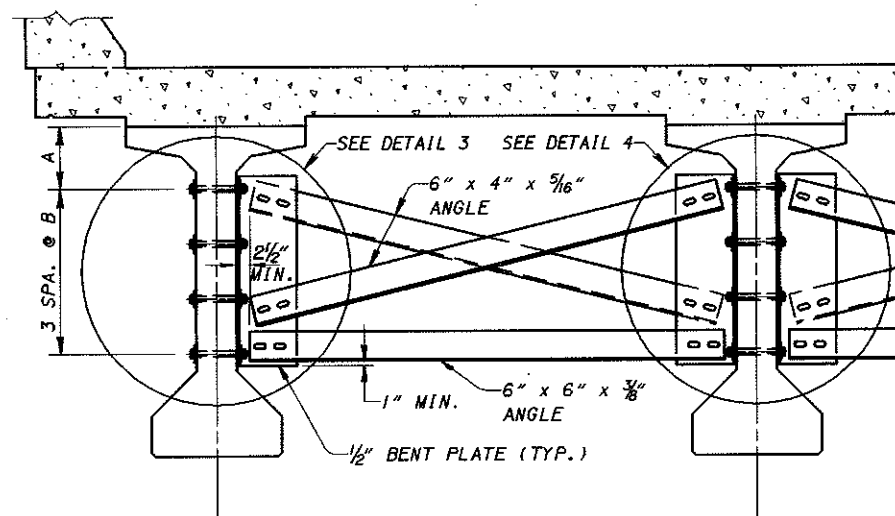
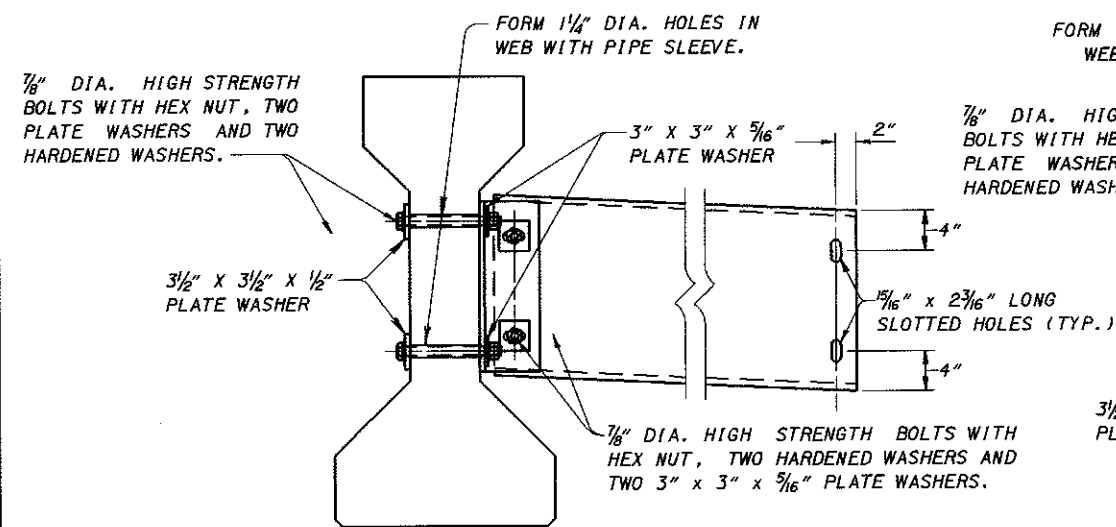


**INTERMEDIATE DIAPHRAGM**  
(AASHTO TYPES 2, 3 AND 4)

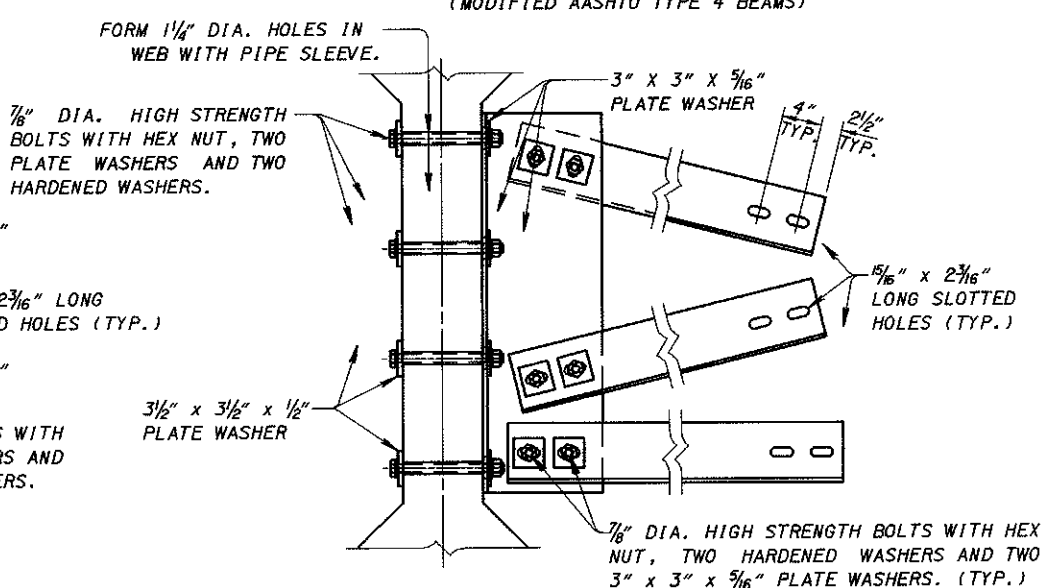


**INTERMEDIATE DIAPHRAGM**  
(MODIFIED AASHTO TYPE 4 BEAMS)



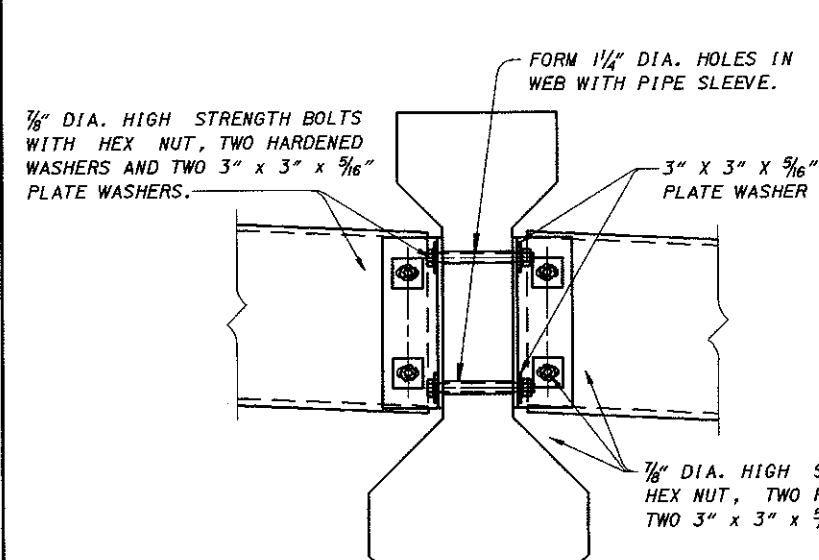
**DETAIL 1**

DETAIL 1 SHALL BE USED AT THE FASCIA BEAM AND ALL INTERIOR BEAMS WHEN THE SKEW ANGLE EXCEEDS 10°.



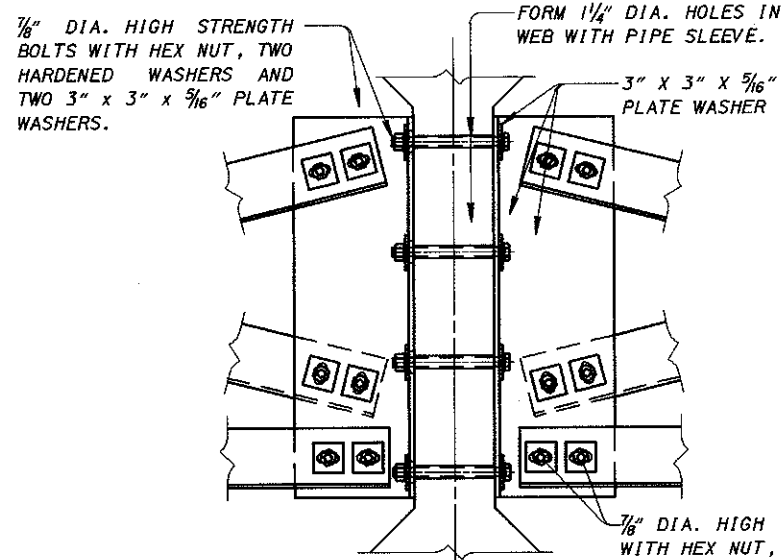
**DETAIL 3**

DETAIL 3 SHALL BE USED AT THE FASCIA BEAM AND ALL INTERIOR BEAMS WHEN THE SKEW ANGLE EXCEEDS 10°.



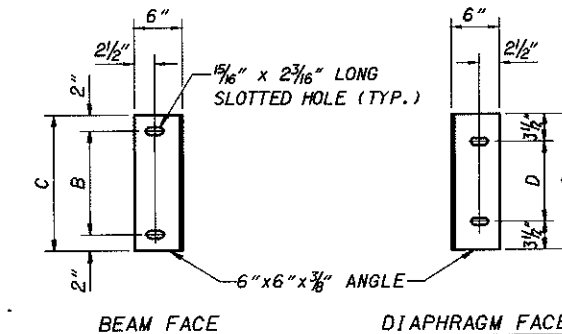
**DETAIL 2**

DETAIL 2 SHALL BE USED AT INTERIOR BEAMS WHEN THE SKEW ANGLE IS LESS THAN 10°.

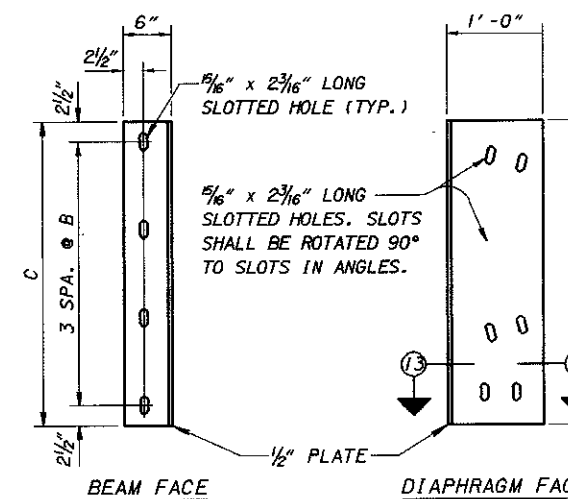


**DETAIL 4**

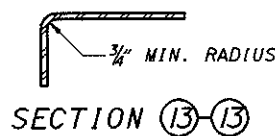
DETAIL 4 SHALL BE USED AT INTERIOR BEAMS WHEN THE SKEW ANGLE IS LESS THAN 10°.



**DIAPHRAGM SUPPORT**  
(FOR 36", 45" & 54" BEAMS)



**DIAPHRAGM SUPPORT**  
(FOR 60", 66" & 72" BEAMS)



**SECTION 13-13**

**DIMENSIONS**

BEAM HEIGHT	A	B	C	D
36"	1'-0"	9"	1'-1"	6"
45"	1'-2 1/2"	1'-1"	1'-5"	10"
54"	1'-5"	1'-5"	1'-9"	1'-2"
60"	1'-0 1/2"	9"	2'-8"	-
66"	1'-0 1/2"	11"	3'-2"	-
72"	1'-0 1/2"	1'-1"	3'-8"	-

**NOTES**

ALL STRUCTURAL STEEL, INCLUDING BOLTS, NUTS AND WASHERS SHALL MEET THE FABRICATION AND ERECTION REQUIREMENTS SPECIFIED IN SS863, BUT SHALL BE INCLUDED FOR PAYMENT UNDER ITEM 865 - PRESTRESSED CONCRETE BRIDGE I-BEAM MEMBERS, MISC.; DIAPHRAGMS.

ALL STRUCTURAL STEEL SHALL BE ASTM A36, GALVANIZED AS PER 711.02.

ALL BOLTS ARE 7/8" DIA. ASTM A325 TYPE 1. ALL BOLTS, NUTS AND WASHERS SHALL BE GALVANIZED AS PER 711.02.

BOLT HOLES IN THE I-BEAM WEBS SHALL BE LOCATED TO AVOID PRESTRESSING STRANDS.