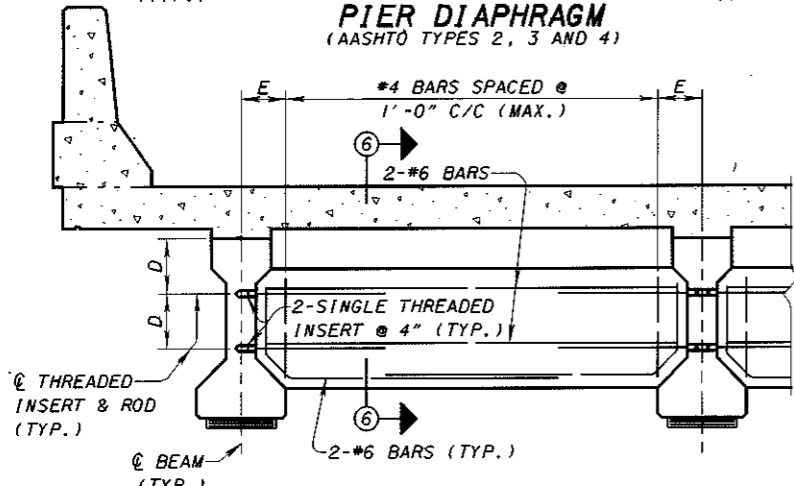
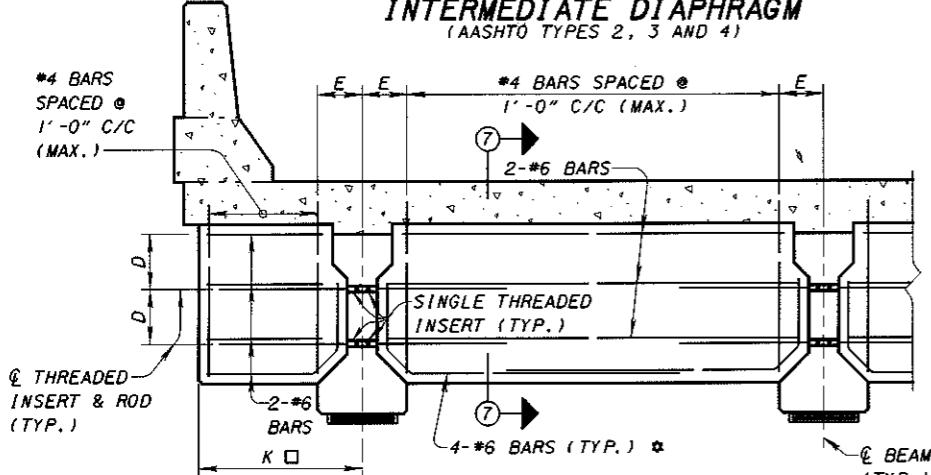


**PIER DIAPHRAGM**  
(AASHTO TYPES 2, 3 AND 4)



**INTERMEDIATE DIAPHRAGM**  
(AASHTO TYPES 2, 3 AND 4)



**END DIAPHRAGM**  
(AASHTO TYPES 2, 3 AND 4)

SECTION	DIM. D	DIM. E
AASHTO TYPE 2	11"	9"
AASHTO TYPE 3	1'-2"	11"
AASHTO TYPE 4	1'-5"	1'-1"
MODIFIED AASHTO TYPE 4 (60")	1'-3"	1'-8"
MODIFIED AASHTO TYPE 4 (66")	1'-6"	1'-8"
MODIFIED AASHTO TYPE 4 (72")	1'-9"	1'-8"

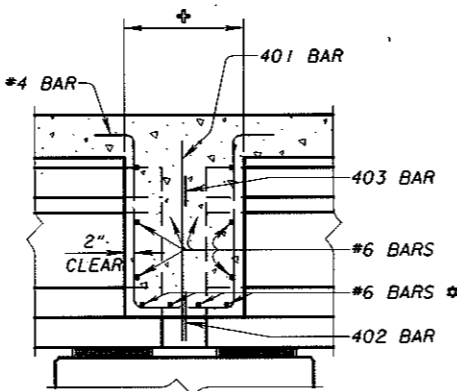
ALL VERTICAL BARS SHALL BE PLACED PARALLEL TO BEAMS.

⊕ - REFER TO SHEET 4/8 FOR DIMENSION DEFINITION.

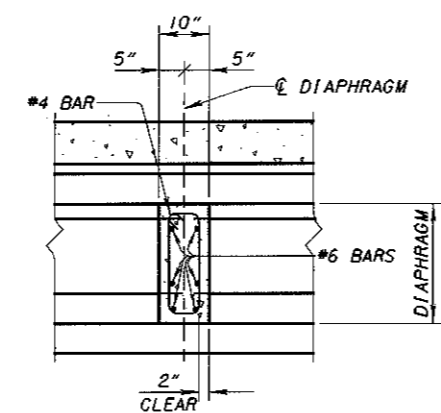
□ - REFER TO SHEET 3/8 FOR DIMENSION DEFINITION.

\* - FOR BEAM SPACINGS EXCEEDING 9'-0", USE 4-#8 BARS. REFER TO SHEET 7/8 FOR THREADED INSERT AND STRAND EXTENSION DETAILS.

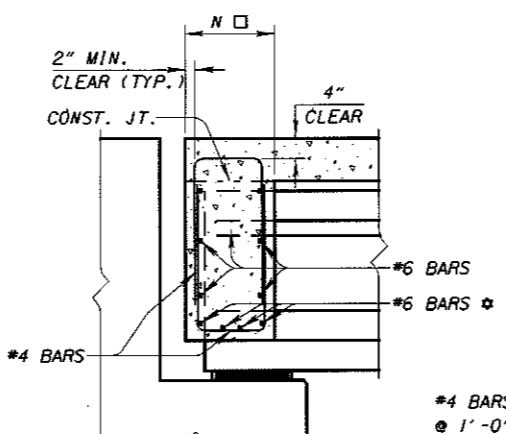
REFER TO SHEET 1/8 FOR 401, 402, 403 & 404 BENDING DIAGRAMS.



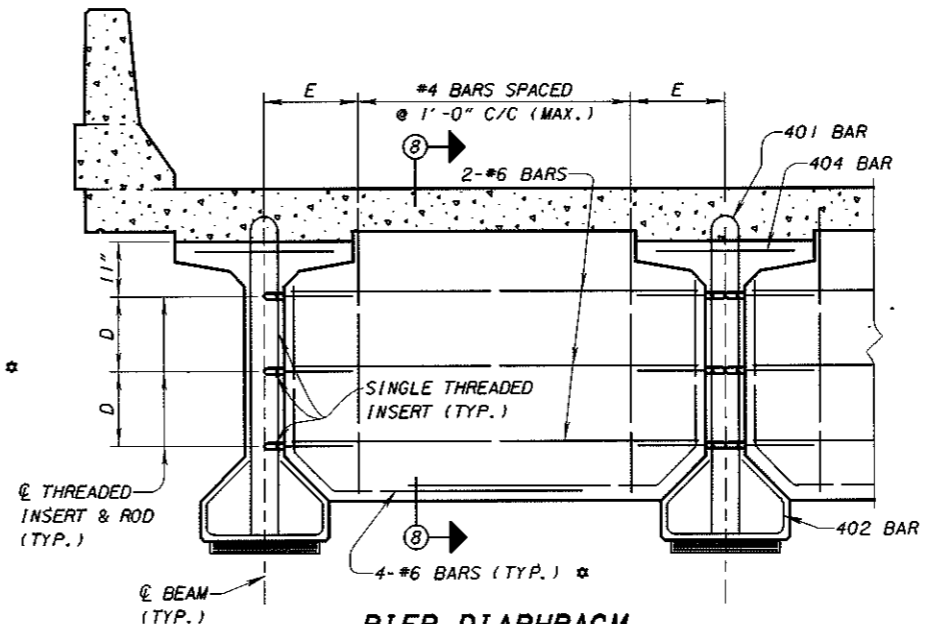
**SECTION 5-5**  
(PARTIAL PIER SHOWN)



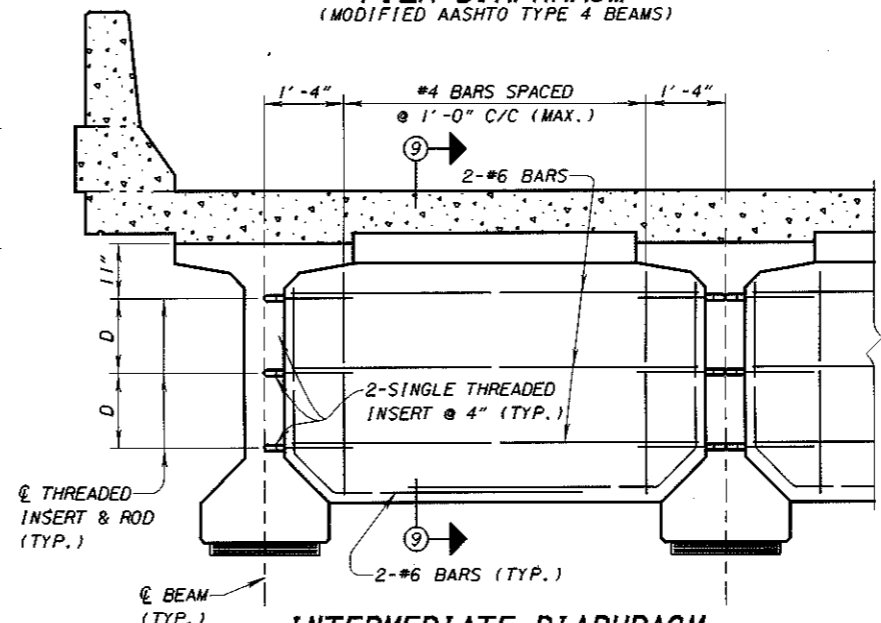
**SECTION 6-6**



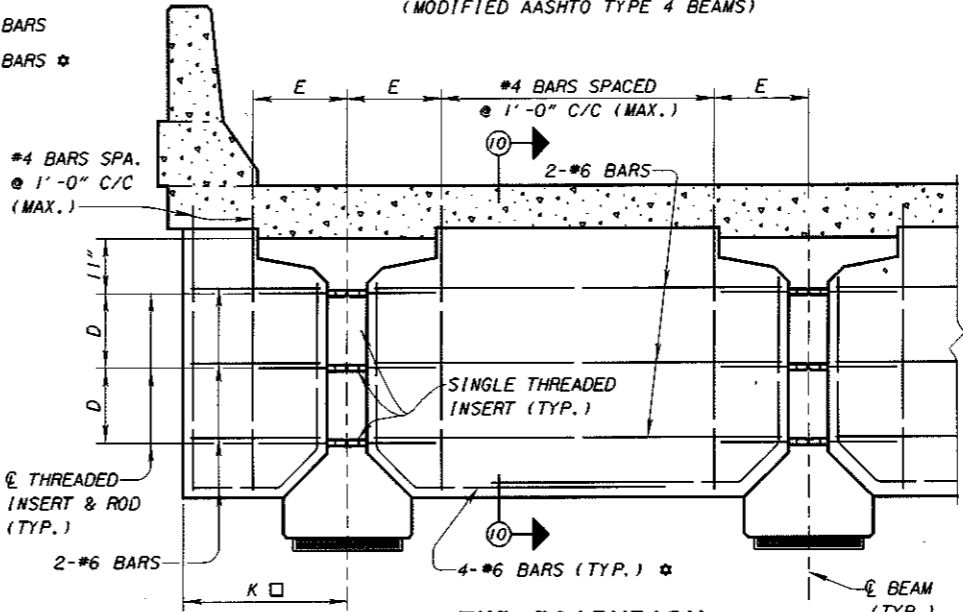
**SECTION 7-7**  
(PARTIAL ABUTMENT SHOWN)



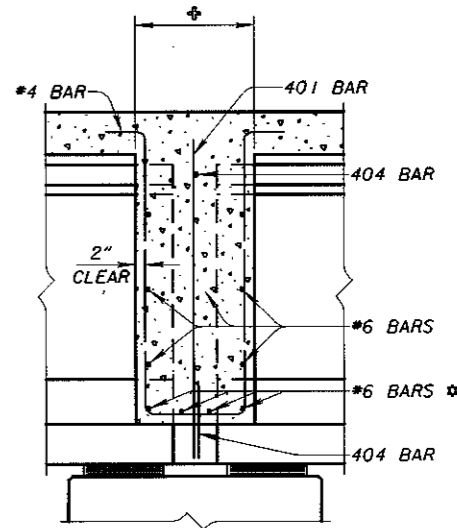
**PIER DIAPHRAGM**  
(MODIFIED AASHTO TYPE 4 BEAMS)



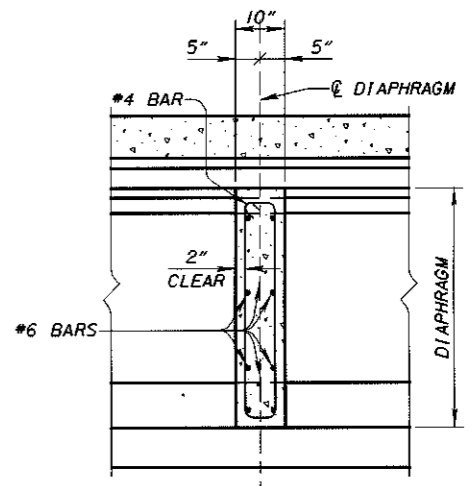
**INTERMEDIATE DIAPHRAGM**  
(MODIFIED AASHTO TYPE 4 BEAMS)



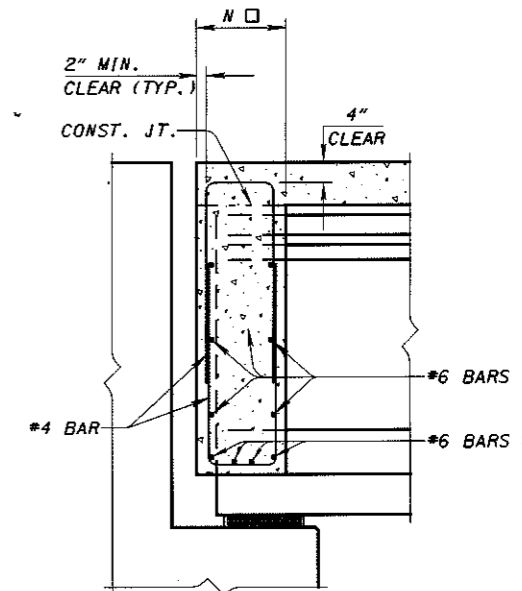
**END DIAPHRAGM**  
(MODIFIED AASHTO TYPE 4 BEAMS)



**SECTION 8-8**  
(PARTIAL PIER SHOWN)



**SECTION 9-9**



**SECTION 10-10**  
(PARTIAL ABUTMENT SHOWN)