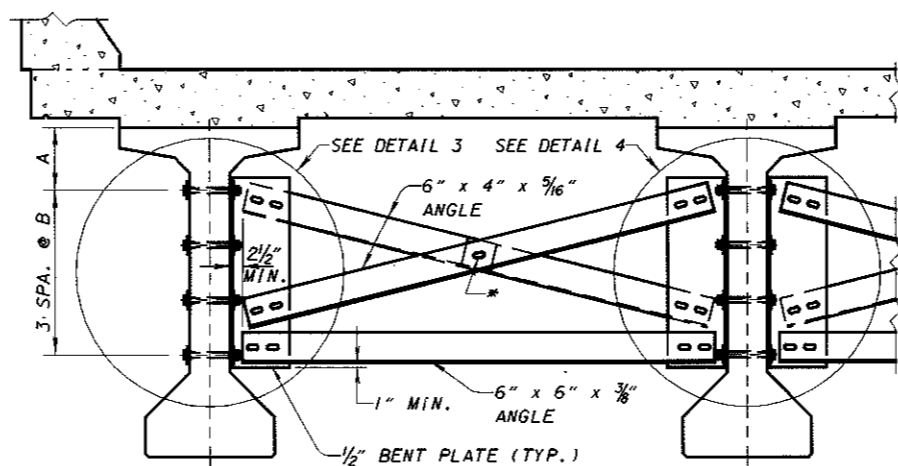
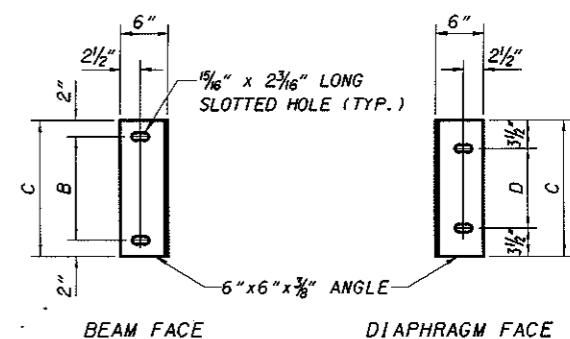


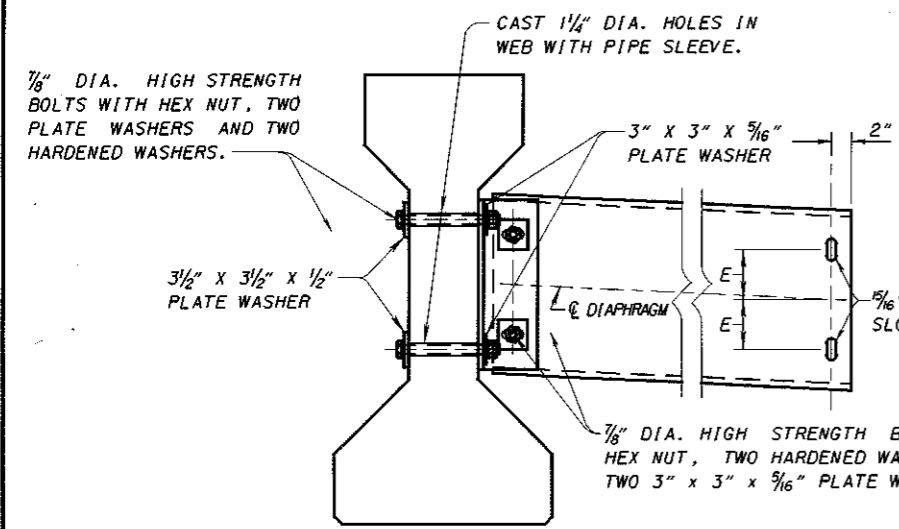
**INTERMEDIATE DIAPHRAGM**  
(AASHTO TYPES 2, 3 AND 4)



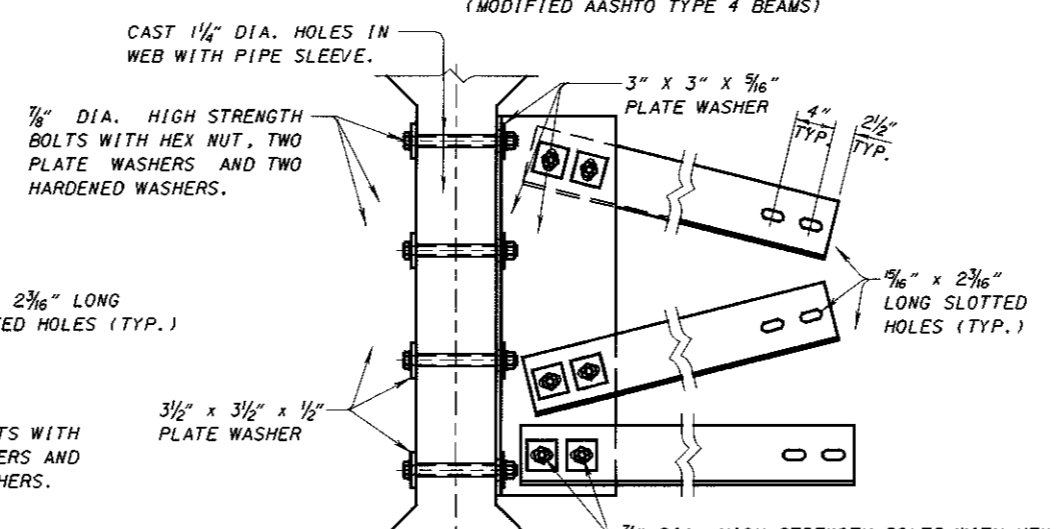
**INTERMEDIATE DIAPHRAGM**  
(MODIFIED AASHTO TYPE 4 BEAMS)



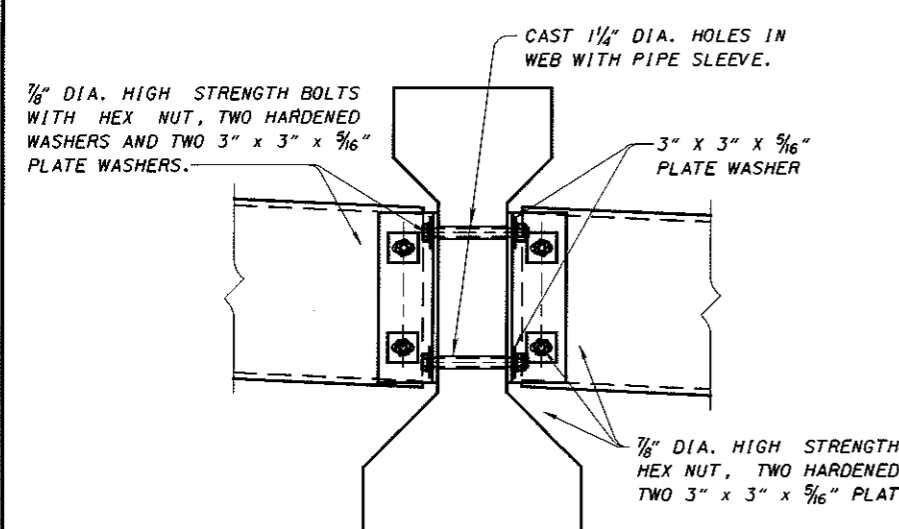
**DIAPHRAGM SUPPORT**  
(FOR 36", 45" & 54" BEAMS)



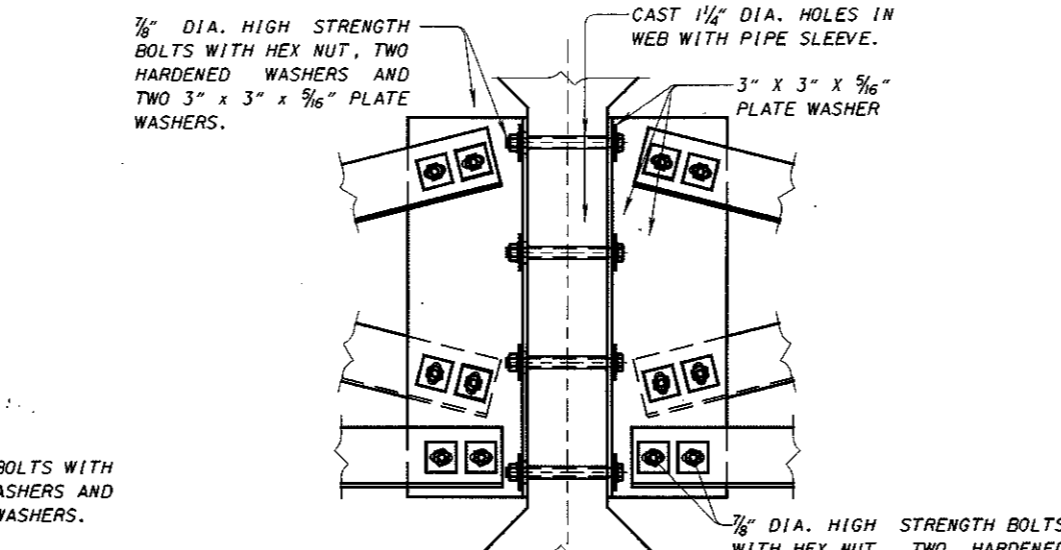
**DETAIL 1**  
DETAIL 1 SHALL BE USED AT THE FASCIA BEAM AND ALL INTERIOR BEAMS WHEN THE SKEW ANGLE EXCEEDS 10°.



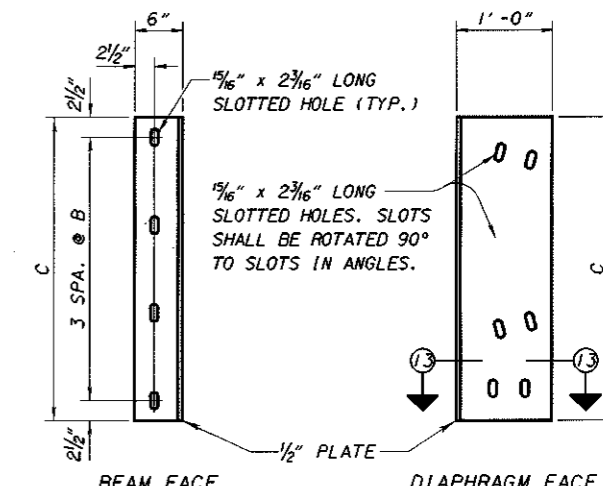
**DETAIL 3**  
DETAIL 3 SHALL BE USED AT THE FASCIA BEAM AND ALL INTERIOR BEAMS WHEN THE SKEW ANGLE EXCEEDS 10°.



**DETAIL 2**  
DETAIL 2 SHALL BE USED AT INTERIOR BEAMS WHEN THE SKEW ANGLE IS LESS THAN 10°.



**DETAIL 4**  
DETAIL 4 SHALL BE USED AT INTERIOR BEAMS WHEN THE SKEW ANGLE IS LESS THAN 10°.



**DIAPHRAGM SUPPORT**  
(FOR 60", 66" & 72" BEAMS)



**DIMENSIONS**

BEAM HEIGHT	A	B	C	D	E
36"	1'-0"	9"	1'-1"	6"	3"
45"	1'-2 1/2"	1'-1"	1'-5"	10"	5"
54"	1'-5"	1'-5"	1'-9"	1'-2"	7"
60"	1'-0 1/2"	9"	2'-8"	-	-
66"	1'-0 1/2"	11"	3'-2"	-	-
72"	1'-0 1/2"	1'-1"	3'-8"	-	-

**NOTES**

ALL STRUCTURAL STEEL, INCLUDING BOLTS, NUTS AND WASHERS SHALL MEET THE FABRICATION AND ERECTION REQUIREMENTS SPECIFIED IN SS863, BUT SHALL BE INCLUDED FOR PAYMENT UNDER ITEM 865 - PRESTRESSED CONCRETE BRIDGE I-BEAM MEMBERS, MISC.: DIAPHRAGMS.

ALL STRUCTURAL STEEL SHALL BE ASTM A709 GRADE 36 OR 50, GALVANIZED AS PER 711.02.

ALL BOLTS ARE 7/8" DIA. ASTM A325 TYPE 1. ALL BOLTS, NUTS AND WASHERS SHALL BE GALVANIZED AS PER 711.02.

BOLT HOLES IN THE I-BEAM WEBS SHALL BE LOCATED TO AVOID PRESTRESSING STRANDS.

DESIGN AGENCY: OFFICE OF STRUCTURAL ENGINEERING  
 STATE OF OHIO DEPARTMENT OF TRANSPORTATION: Brad Fogwell, ADMINISTRATOR  
 DATE: 09-07-99  
 REVISIONS: 10-20-00 (DESIGNED: SAM, DRAWN: SAM), PS10-1-99 (CHECKED: L.M.V., WTL)  
 STANDARD: PRESTRESSED CONCRETE I-BEAM BRIDGE DETAILS