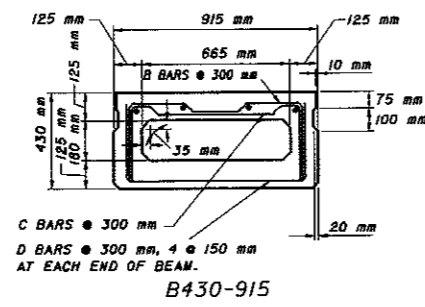
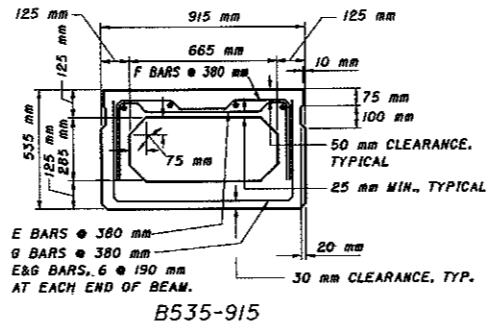


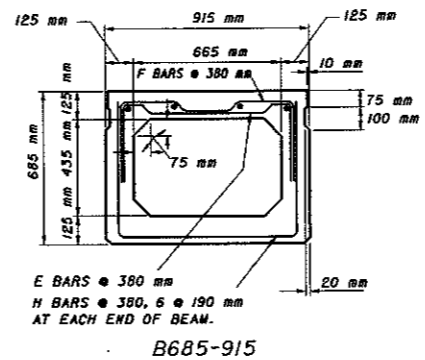
D305-915



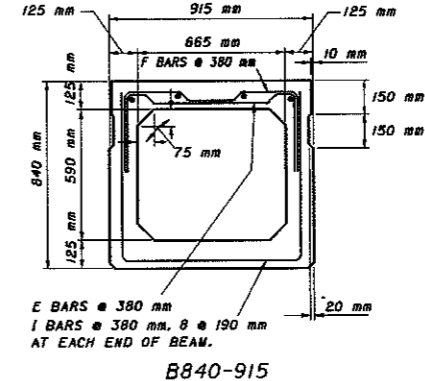
B430-915



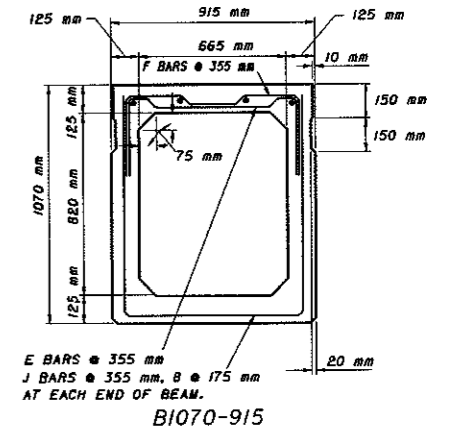
B535-915



B685-915

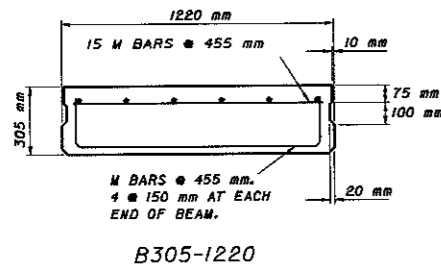


B840-915

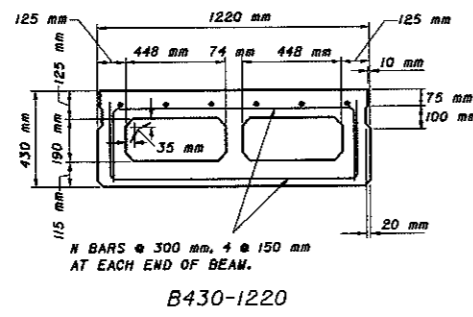


B1070-915

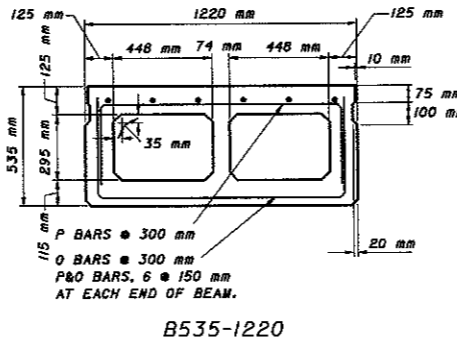
915 mm WIDE NON-COMPOSITE BEAMS



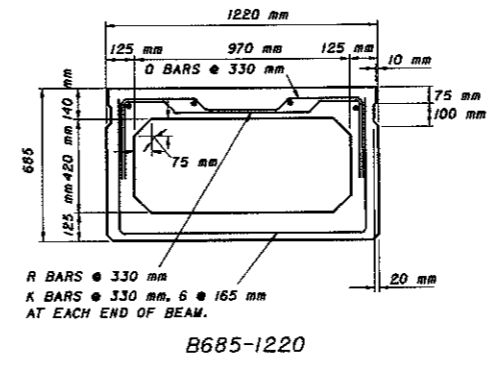
B305-1220



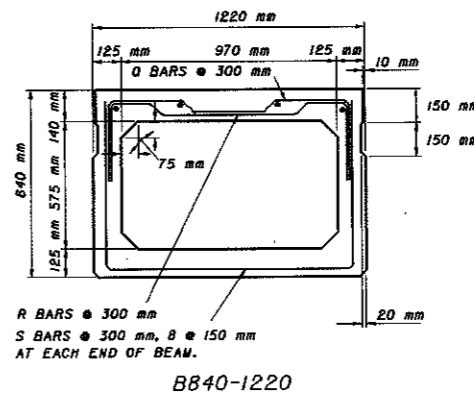
B430-1220



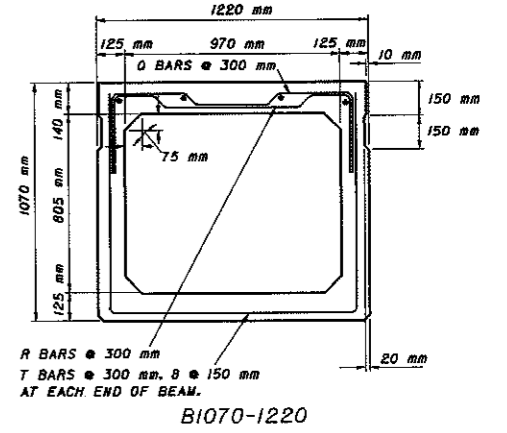
B535-1220



B685-1220

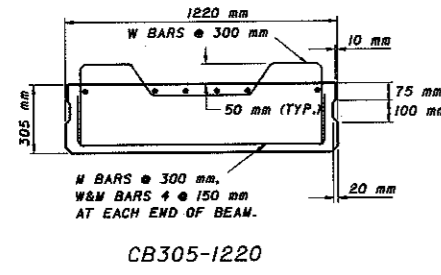


B840-1220

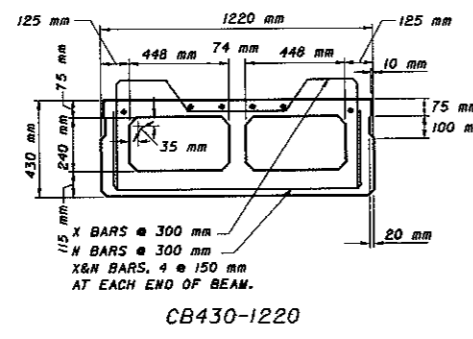


B1070-1220

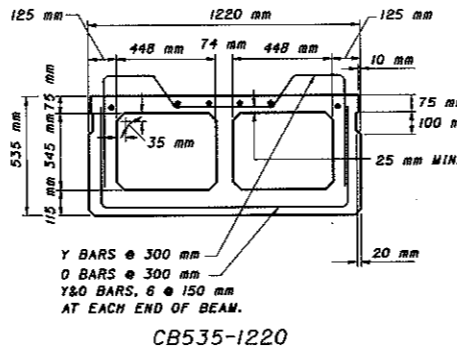
1220 mm WIDE NON-COMPOSITE BEAMS



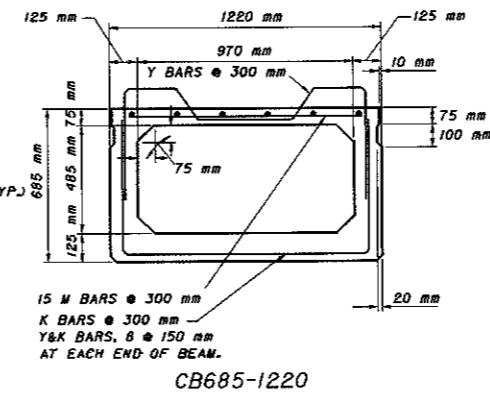
CB305-1220



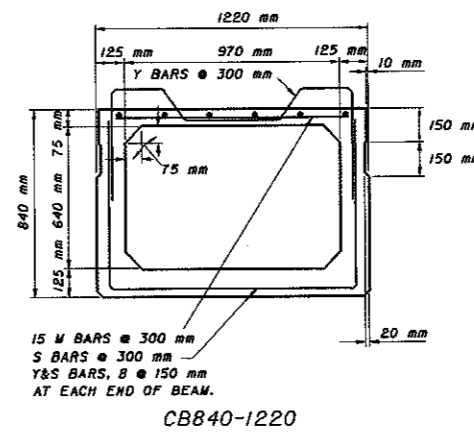
CB430-1220



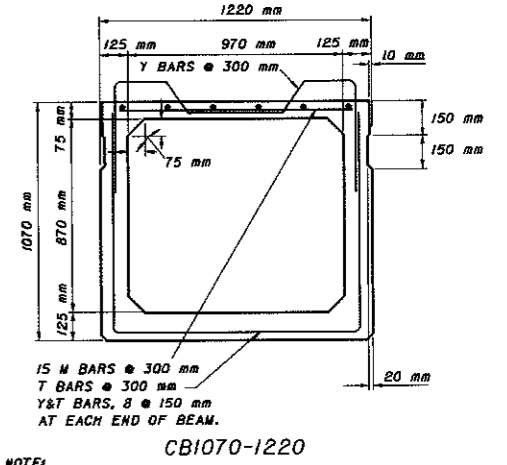
CB535-1220



CB685-1220



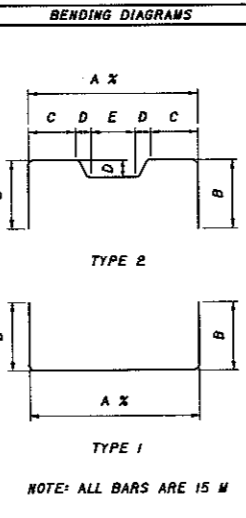
CB840-1220



CB1070-1220

1220 mm WIDE COMPOSITE BEAMS

BENT REINFORCING BARS					BENDING DIAGRAMS	
MARK	TYPE	A	B	C	D	E
A	1	785 mm	200 mm			
B	2	785 mm	330 mm	250 mm	40 mm	205 mm
C	2	785 mm	330 mm	100 mm	40 mm	505 mm
D	1	785 mm	330 mm			
E	2	785 mm	430 mm	100 mm	40 mm	505 mm
F	2	785 mm	430 mm	250 mm	40 mm	205 mm
G	1	785 mm	430 mm			
H	1	785 mm	585 mm			
I	1	785 mm	735 mm			
J	1	785 mm	965 mm			
K	1	1090 mm	585 mm			
M	1	1090 mm	200 mm			
N	1	1090 mm	330 mm			
O	1	1090 mm	430 mm			
P	1	1090 mm	430 mm			
Q	2	1090 mm	430 mm	330 mm	50 mm	330 mm
R	2	1090 mm	430 mm	178 mm	50 mm	635 mm
S	1	1090 mm	735 mm			
T	1	1090 mm	965 mm			
W	2	1090 mm	255 mm	230 mm	100 mm	430 mm
X	2	1090 mm	430 mm	230 mm	100 mm	430 mm
Y	2	1090 mm	530 mm	230 mm	100 mm	430 mm
WW	2	785 mm	300 mm	150 mm	100 mm	280 mm
XY	2	785 mm	430 mm	150 mm	100 mm	280 mm
YY	2	785 mm	530 mm	150 mm	100 mm	280 mm



NOTE:
 ALTERNATE TOP STIRRUPS TO LAP BOTTOM STIRRUPS AT EACH END OF BEAM WHERE TWO TYPES OF TOP STIRRUPS ARE PROVIDED.
 915 mm WIDE COMPOSITE BEAMS ARE SHOWN ON SHEET 4 OF 4.
 MINIMUM TOP LONGITUDINAL REINFORCING STEEL
 915 mm WIDE NON-COMPOSITE & COMPOSITE BEAMS: 4-15 M BARS.
 1220 mm WIDE NON-COMPOSITE BEAMS: B305 THRU B535, 6-15 M BARS
 B685 THRU B1070, 4-15 M BARS
 1220 mm WIDE COMPOSITE BEAMS: 6-15 M BARS
 SEE PROJECT PLANS FOR ANY ADDITIONAL LONGITUDINAL REINFORCING STEEL BARS REQUIRED.
 ALL REINFORCING STEEL ARE GRADE 400 BARS
 FABRICATOR'S SHOP DRAWINGS SHALL SHOW COMPLETE DETAILS OF BEAM REINFORCING.

REVISIONS	STATE OF OHIO DEPARTMENT OF TRANSPORTATION BUREAU OF BRIDGES AND STRUCTURAL DESIGN			
	STANDARD PRESTRESSED CONCRETE BOX BEAM BRIDGE DETAILS			
APPROVED:	<i>Robert E. ...</i> ENGINEER OF BRIDGES		DRAWING NO. PSBD-1-93M	
DATE: 12-19-94	PREPARED:	DRAWN:	CHECKED:	REVIEWED:
	MRG	REF	SEM	LWW
				SHEET NO. 3 OF 4 SHEETS