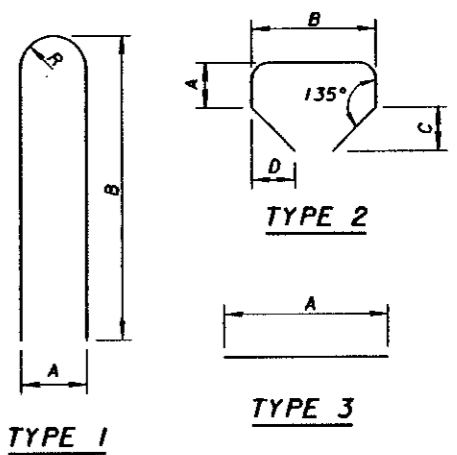


SECTION PROPERTIES							
SECTION	A x 10 ³ (mm ²)	Wl (kg/mm)	Yb (mm)	Yt (mm)	I x 10 ⁶ (mm ⁴)	Sb x 10 ⁶ (mm ³)	St x 10 ⁶ (mm ³)
AASHTO TYPE 2	236.7	0.569	400	515	21100	53	41
AASHTO TYPE 3	365.2	0.878	517	628	52900	102	84
AASHTO TYPE 4	504.9	1.213	628	742	108000	172	146
MODIFIED AASHTO TYPE 4 (1525 mm)	551.6	1.325	732	793	160200	219	202
MODIFIED AASHTO TYPE 4 (1675 mm)	581.6	1.397	803	872	204200	254	234
MODIFIED AASHTO TYPE 4 (1830 mm)	612.6	1.472	877	953	256400	292	269

BEAM MARK	NUMBER OF STRANDS PER ROW								TOTAL STRANDS	CONCRETE STRENGTHS		IOM01 BARS REQ'D	IOM02 BARS REQ'D	IOM03 BARS REQ'D	IOM04 BARS REQ'D	
	1	2	3	4	5	6	7	8		f'ci	f'c					

(THIS TABLE SHALL BE REPRODUCED IN THE PROJECT PLANS.)

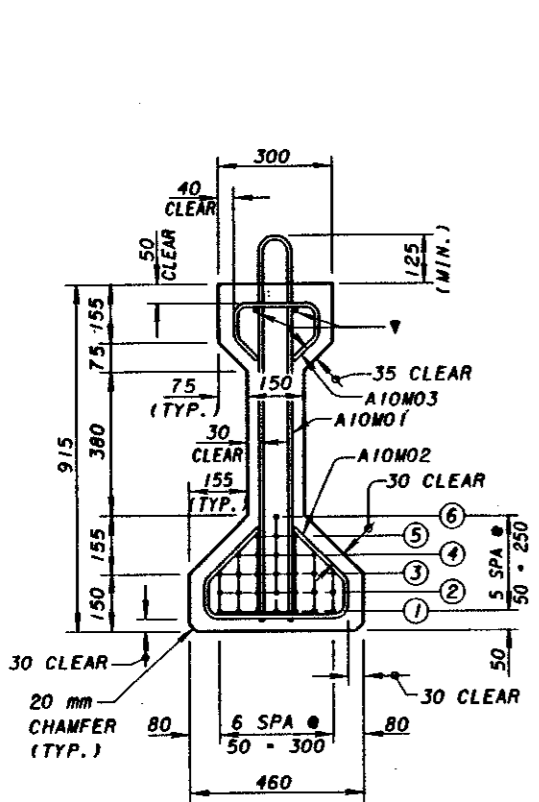
▼ THE NUMBER OF BARS SHALL BE PROVIDED AS SHOWN. BAR SIZE SHALL BE DETERMINED BY ANALYSIS.



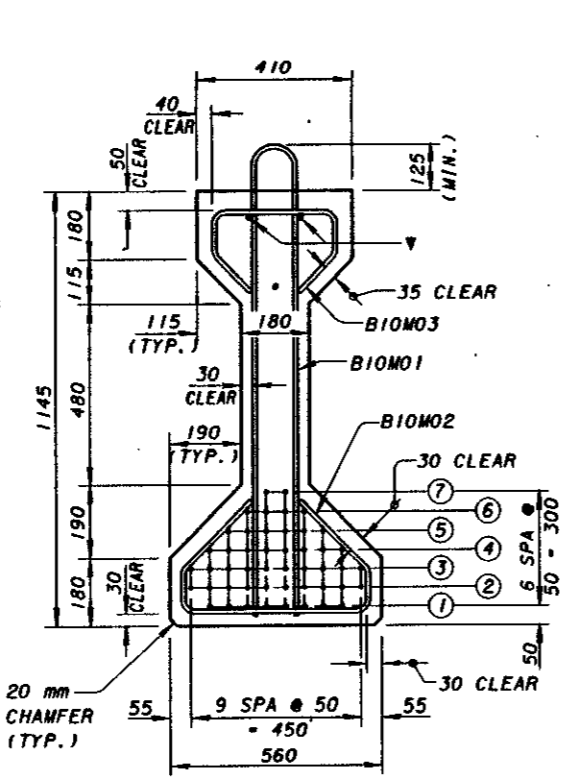
BENDING DIAGRAMS (ALL DIMENSIONS ARE OUT-TO-OUT)

MARK	TYPE	DIMENSIONS				
		A	B	C	D	R
AASHTO TYPE 2						
A1OM01	1	90	1010			45
A1OM02	2	105	400	145	145	
A1OM03	2	95	220	55	55	
AASHTO TYPE 3						
B1OM01	1	120	1240			60
B1OM02	2	135	500	180	180	
B1OM03	2	120	330	95	95	
AASHTO TYPE 4						
C1OM01	1	140	1465			70
C1OM02	2	155	600	220	220	
C1OM03	2	140	430	135	135	
MODIFIED TYPE 4 (1525 mm)						
D1OM01	1	140	1620			70
D1OM02	2	155	600	220	220	
D1OM04	3	810				
MODIFIED TYPE 4 (1675 mm)						
E1OM01	1	140	1770			70
E1OM02	2	155	600	220	220	
E1OM04	3	810				
MODIFIED TYPE 4 (1830 mm)						
F1OM01	1	140	1925			70
F1OM02	2	155	600	220	220	
F1OM04	3	810				

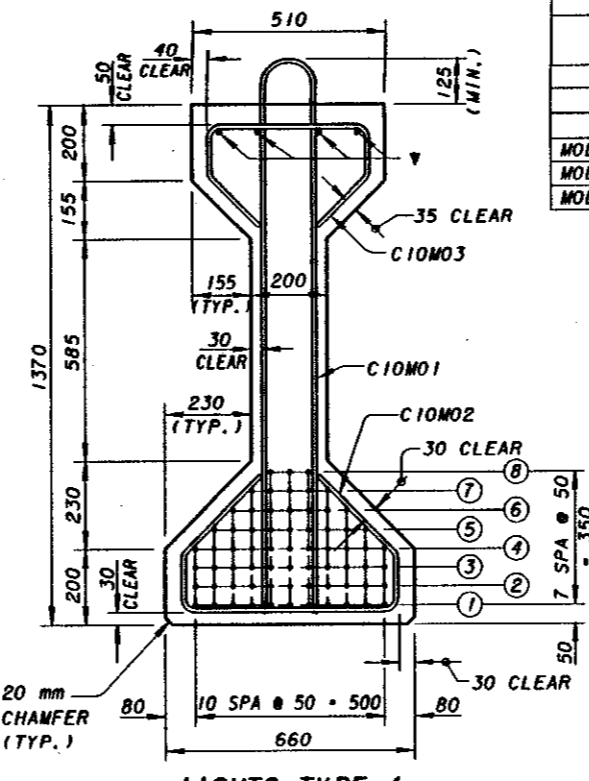
BAR SIZE IS INDICATED IN THE BAR MARK. THE FIRST LETTER IDENTIFIES THE BAR LOCATION, THE NEXT TWO DIGITS AND LETTER INDICATE THE METRIC BAR SIZE AND THE REMAINING DIGITS ITS SEQUENCE NUMBER.



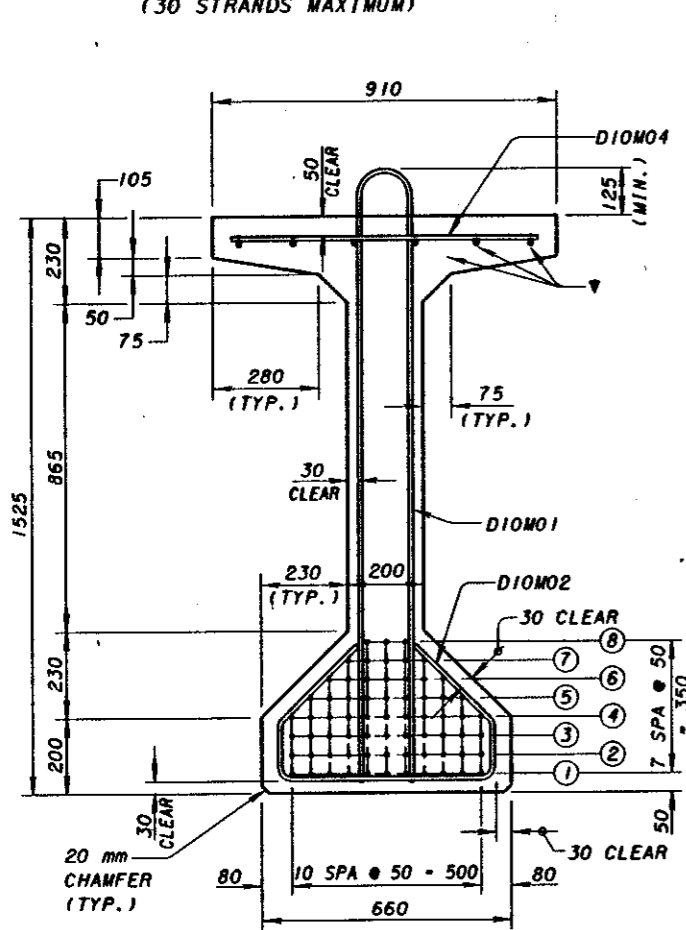
AASHTO TYPE 2
MAX. SPAN = 18 m C/C BEAM BRG'S.
(30 STRANDS MAXIMUM)



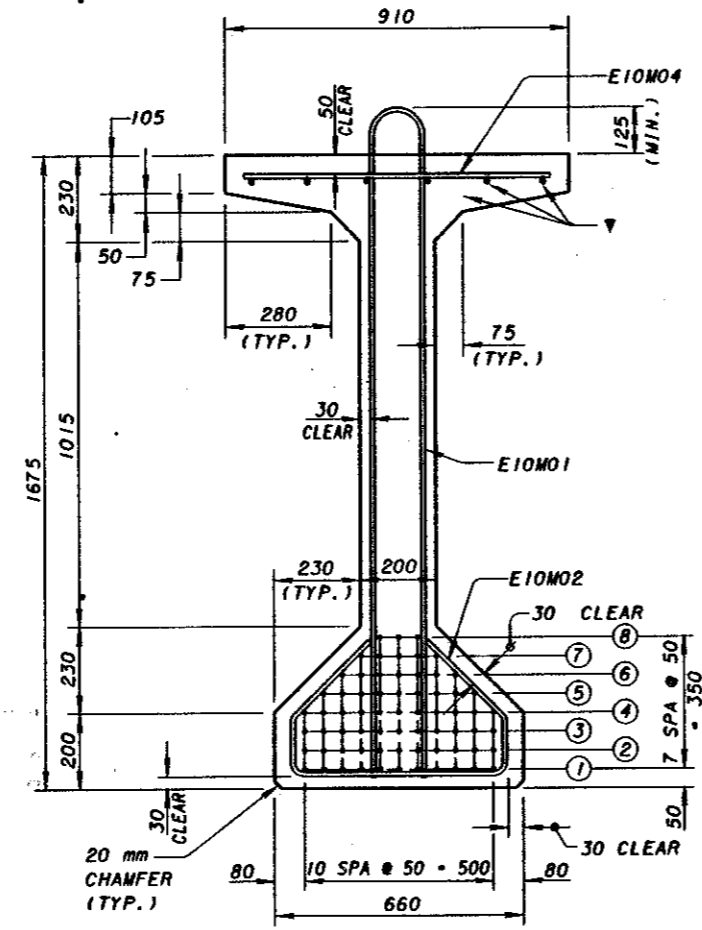
AASHTO TYPE 3
MAX. SPAN = 25 m C/C BEAM BRG'S.
(48 STRANDS MAXIMUM)



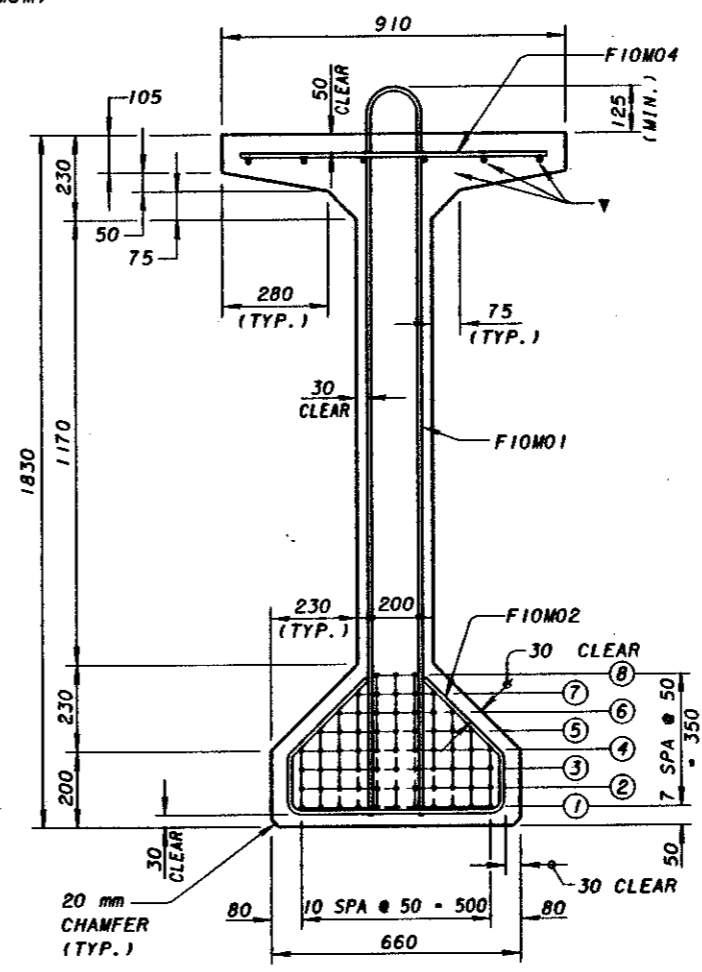
AASHTO TYPE 4
MAX. SPAN = 31 m C/C BEAM BRG'S.
(68 STRANDS MAXIMUM)



MODIFIED AASHTO TYPE 4 (1525 mm)
MAX. SPAN = 35 m C/C BEAM BRG'S.
(68 STRANDS MAXIMUM)



MODIFIED AASHTO TYPE 4 (1675 mm)
MAX. SPAN = 37 m C/C BEAM BRG'S.
(68 STRANDS MAXIMUM)



MODIFIED AASHTO TYPE 4 (1830 mm)
MAX. SPAN = 39 m C/C BEAM BRG'S.
(68 STRANDS MAXIMUM)