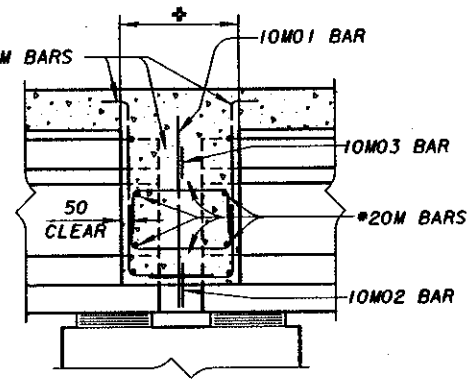
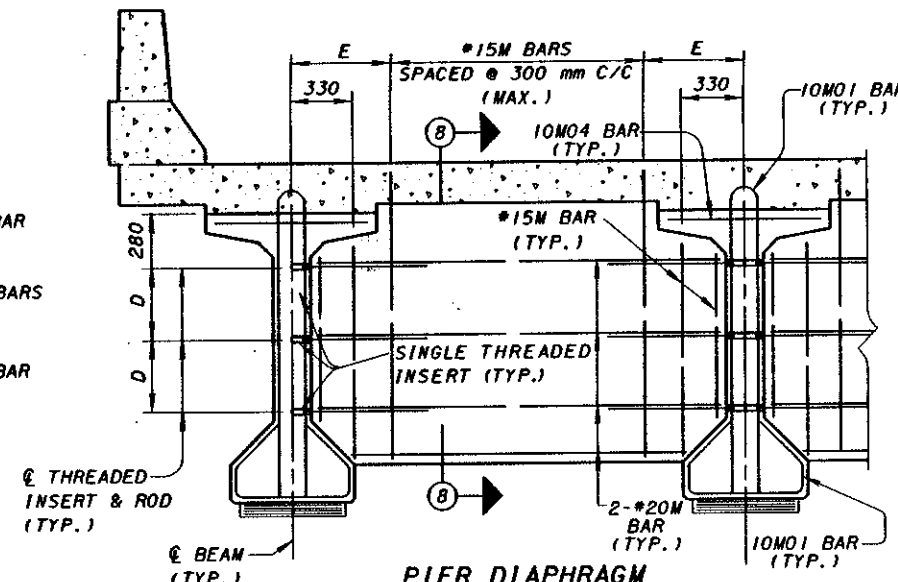


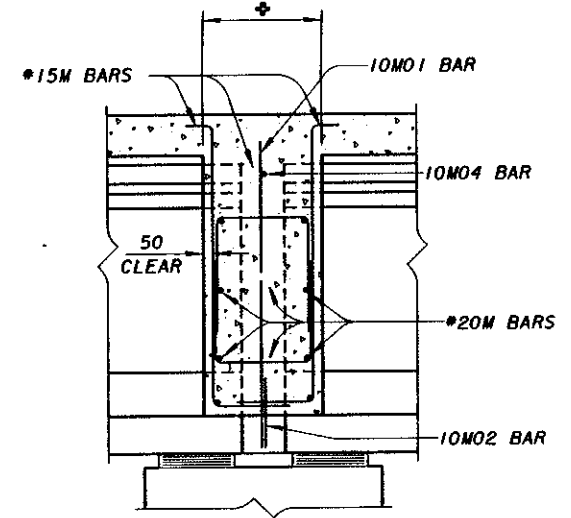
PIER DIAPHRAGM
(AASHTO TYPES 2, 3 AND 4)



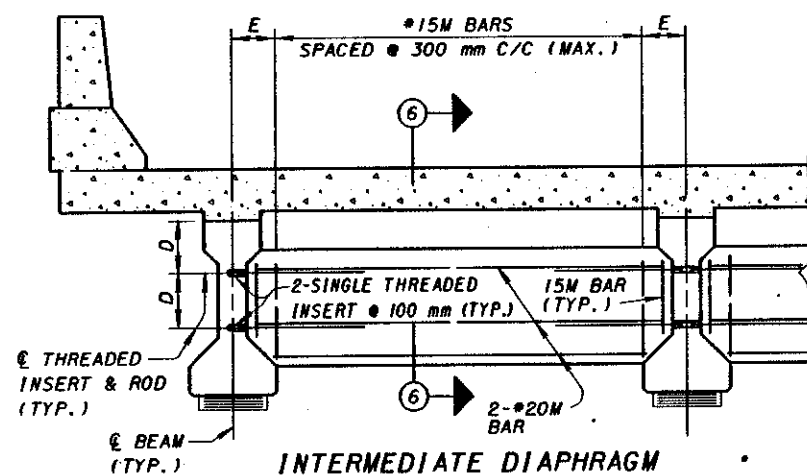
SECTION 5-5
(PARTIAL PIER SHOWN)



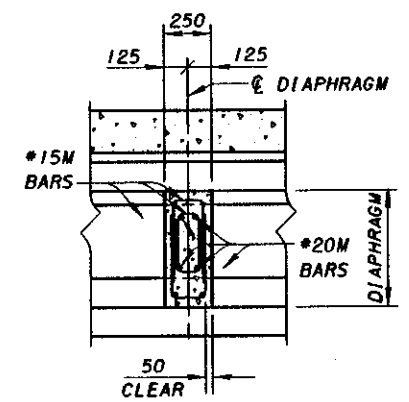
PIER DIAPHRAGM
(MODIFIED AASHTO TYPE 4 BEAMS)



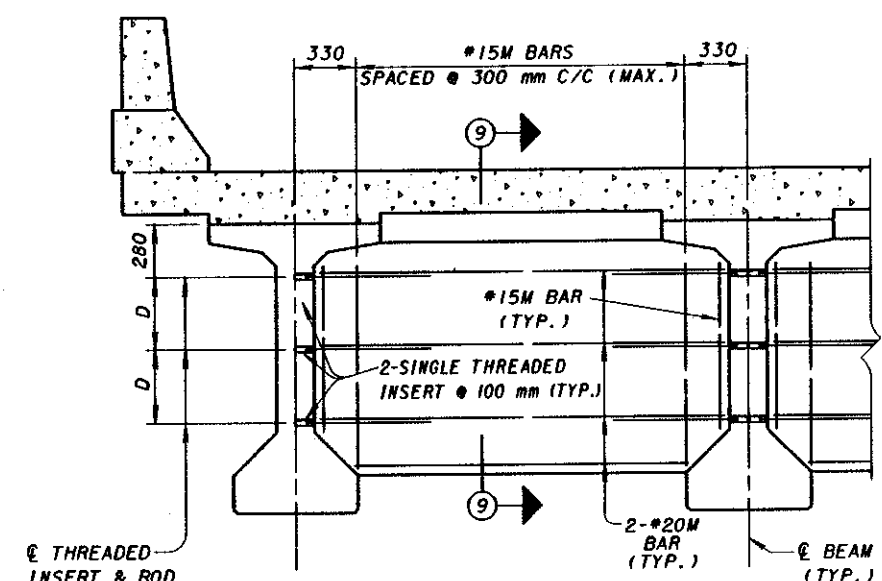
SECTION 8-8
(PARTIAL PIER SHOWN)



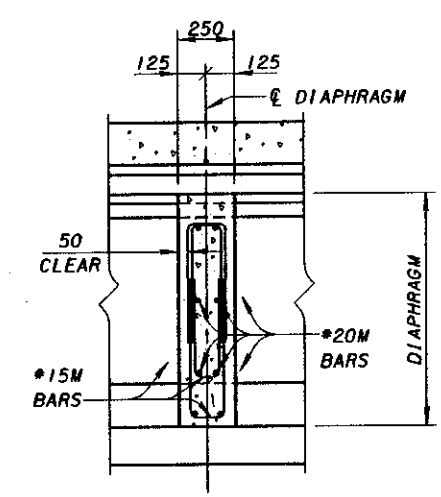
INTERMEDIATE DIAPHRAGM
(AASHTO TYPES 2, 3 AND 4)



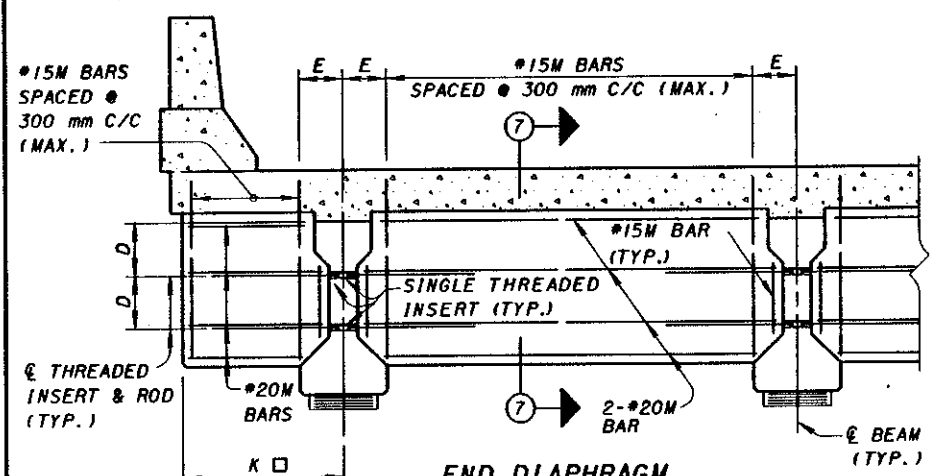
SECTION 6-6



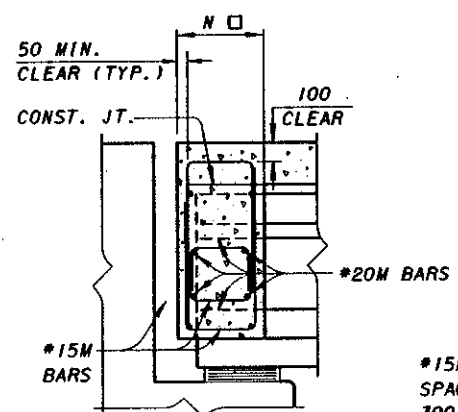
INTERMEDIATE DIAPHRAGM
(MODIFIED AASHTO TYPE 4 BEAMS)



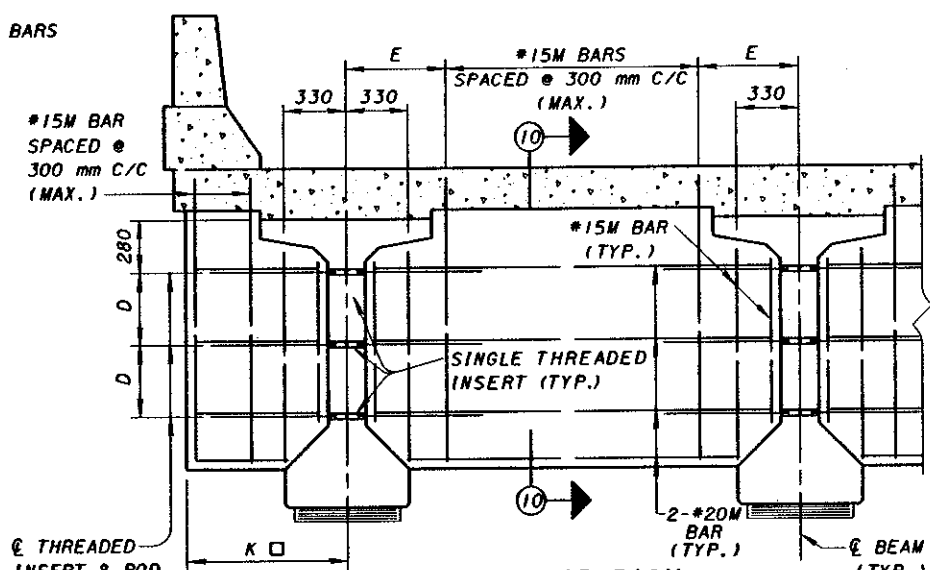
SECTION 9-9



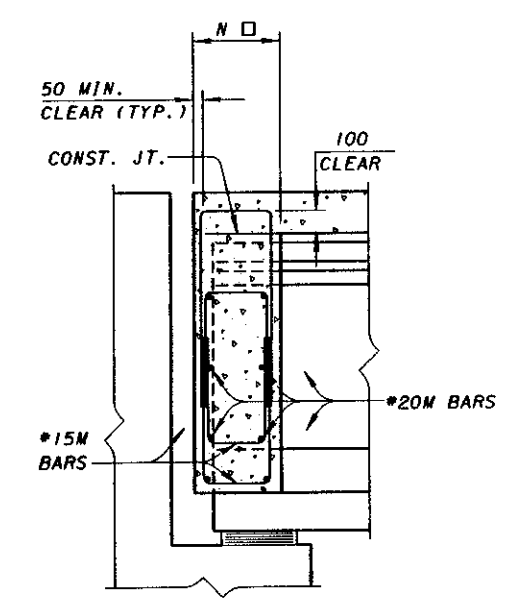
END DIAPHRAGM
(AASHTO TYPES 2, 3 AND 4)



SECTION 7-7
(PARTIAL ABUTMENT SHOWN)



END DIAPHRAGM
(MODIFIED AASHTO TYPE 4 BEAMS)



SECTION 10-10
(PARTIAL ABUTMENT SHOWN)

SECTION	DIM. D	DIM. E
AASHTO TYPE 2	280	230
AASHTO TYPE 3	345	280
AASHTO TYPE 4	405	330
MODIFIED AASHTO TYPE 4 (1525 mm)	380	530
MODIFIED AASHTO TYPE 4 (1675 mm)	455	530
MODIFIED AASHTO TYPE 4 (1830 mm)	535	530

ALL VERTICAL BARS SHALL BE PLACED PARALLEL TO BEAMS.
 + - REFER TO SHEET 4 / 7 FOR DIMENSION DEFINITION.
 □ - REFER TO SHEET 3 / 7 FOR DIMENSION DEFINITION.
 REFER TO SHEET 6 / 7 FOR THREADED INSERT AND STRAND EXTENSION DETAILS.
 REFER TO SHEET 1 / 7 FOR 10M01, 10M02, 10M03 & 10M04 BENDING DIAGRAMS.