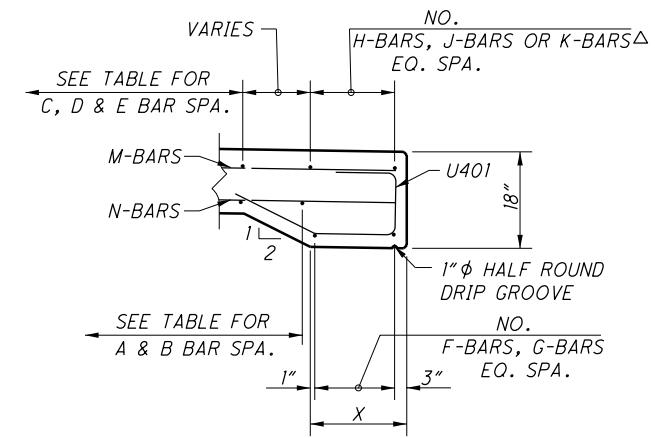
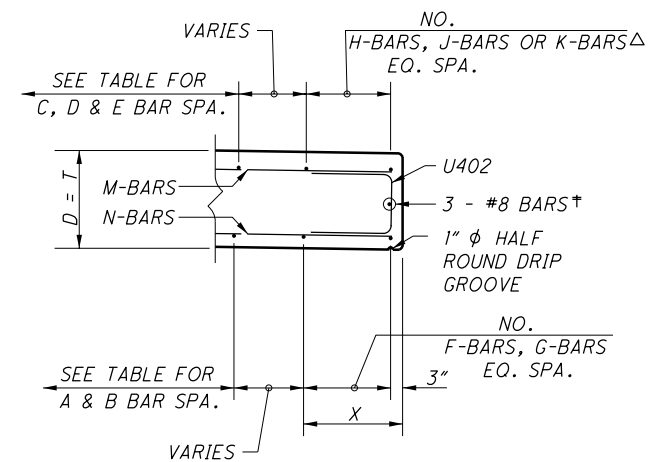


**EDGE BEAM SLAB DATA - OVER THE SIDE DRAINAGE**

SPANS (feet)	D (inches)	X (ft-in)	LONGITUDINAL																	
			BOTTOM BARS						TOP BARS											
			F BARS			G BARS			H BARS			J BARS			K BARS					
SIZE	NO.	f	LENGTH	SIZE	NO.	LENGTH	SIZE	NO.	LENGTH	SIZE	NO.	LENGTH	SIZE	NO.	LENGTH	SIZE	NO.	LENGTH		
14 - 17.50 - 14	18	3'-9"	8	7	16'-0"	16'-11"	8	7	20'-6"	5	7	7'-6"	8	7	21'-0"	N/A	N/A	N/A		
15 - 18.75 - 15	18	3'-9"	8	7	17'-0"	17'-11"	8	7	21'-9"	5	7	7'-10"	8	7	22'-3"	N/A	N/A	N/A		
16 - 20.00 - 16	18	3'-9"	8	7	18'-0"	18'-11"	8	7	23'-0"	5	7	8'-3"	8	7	23'-6"	N/A	N/A	N/A		
17 - 21.25 - 17	18	4'-0"	8	8	19'-0"	19'-11"	8	8	24'-3"	5	8	8'-7"	8	8	24'-9"	N/A	N/A	N/A		
18 - 22.50 - 18	18	4'-0"	8	8	20'-0"	20'-11"	8	8	25'-6"	5	8	9'-0"	8	8	26'-0"	N/A	N/A	N/A		
19 - 23.75 - 19	18	4'-0"	8	8	21'-0"	21'-11"	8	8	26'-9"	5	8	9'-4"	8	8	27'-3"	N/A	N/A	N/A		
20 - 25.00 - 20	18	4'-0"	8	8	22'-0"	22'-11"	8	8	28'-0"	5	8	9'-9"	8	8	28'-6"	N/A	N/A	N/A		
21 - 26.25 - 21	18	4'-0"	8	8	23'-0"	23'-11"	8	8	29'-3"	5	8	10'-1"	8	8	29'-9"	N/A	N/A	N/A		
22 - 27.50 - 22	18	4'-0"	8	8	24'-0"	24'-11"	8	8	30'-6"	5	8	13'-8"	8	8	24'-8"	5	8	9'-11"		
23 - 28.75 - 23	18	4'-0"	8	8	25'-0"	25'-11"	8	8	31'-9"	5	8	14'-3"	8	8	25'-5"	5	8	10'-4"		
24 - 30.00 - 24	18	4'-0"	8	9	26'-0"	26'-11"	8	9	33'-0"	5	9	14'-10"	8	9	26'-3"	5	9	10'-10"		
25 - 31.25 - 25	18	4'-0"	8	9	27'-0"	27'-11"	8	9	34'-3"	5	9	15'-5"	8	9	27'-1"	5	9	11'-3"		
26 - 32.50 - 26	18	4'-0"	8	10	28'-0"	28'-11"	8	10	35'-6"	5	10	16'-1"	8	10	27'-10"	5	10	11'-8"		
27 - 33.75 - 27	18	4'-0"	8	10	29'-0"	29'-11"	8	10	36'-9"	5	10	16'-8"	8	10	28'-8"	5	10	12'-2"		
28 - 35.00 - 28	18	4'-0"	8	10	30'-0"	30'-11"	8	10	38'-0"	5	10	17'-3"	8	10	29'-6"	5	10	12'-7"		
29 - 36.25 - 29	18 1/2	4'-0"	8	10	31'-0"	31'-11"	8	10	39'-3"	5	10	17'-10"	8	10	30'-3"	5	10	13'-0"		
30 - 37.50 - 30	19	4'-0"	8	10	32'-0"	32'-11"	8	10	40'-6"	5	9	18'-5"	9	9	31'-1"	5	9	13'-6"		
31 - 38.75 - 31	19 1/2	4'-0"	8	10	33'-0"	33'-11"	8	10	41'-9"	5	9	19'-0"	9	9	31'-11"	5	9	13'-11"		
32 - 40.00 - 32	20	4'-0"	8	10	34'-0"	34'-11"	8	10	43'-0"	5	9	19'-8"	9	9	32'-8"	5	9	14'-4"		
33 - 41.25 - 33	20 1/2	4'-3"	8	11	35'-0"	35'-11"	8	11	44'-3"	5	9	20'-3"	9	9	33'-6"	5	9	14'-9"		
34 - 42.50 - 34	21	4'-3"	8	11	36'-0"	36'-11"	8	11	45'-6"	5	9	20'-10"	9	9	34'-4"	5	9	15'-2"		
35 - 43.75 - 35	21 1/2	4'-3"	8	11	37'-0"	37'-11"	8	11	46'-9"	5	11	21'-5"	9	11	35'-2"	5	11	15'-8"		
36 - 45.00 - 36	22	4'-3"	8	11	38'-0"	38'-11"	8	11	48'-0"	5	11	22'-0"	9	11	35'-11"	5	11	16'-1"		
37 - 46.25 - 37	22 1/2	4'-3"	9	9	39'-5"	40'-8"	9	9	50'-1"	5	11	22'-7"	9	11	36'-9"	5	11	16'-7"		
38 - 47.50 - 38	23	4'-3"	9	9	40'-5"	41'-8"	9	9	51'-4"	5	11	23'-3"	9	11	37'-6"	5	11	17'-0"		
39 - 48.75 - 39	23 1/2	4'-6"	9	10	41'-5"	42'-8"	9	10	52'-7"	5	11	23'-10"	9	11	38'-4"	5	11	17'-6"		
40 - 50.00 - 40	24	4'-6"	9	10	42'-5"	43'-8"	9	10	53'-10"	5	11	24'-5"	9	11	39'-1"	5	11	17'-11"		
41 - 51.25 - 41	24 1/2	4'-6"	9	11	43'-5"	44'-8"	9	11	55'-1"	5	11	25'-0"	10	11	39'-11"	5	11	18'-5"		
42 - 52.50 - 42	25	4'-6"	9	11	44'-5"	45'-8"	9	11	56'-4"	5	11	25'-8"	10	11	40'-8"	5	11	18'-10"		
43 - 53.75 - 43	25 1/2	4'-6"	9	11	45'-5"	46'-8"	9	11	57'-7"	5	11	26'-3"	10	11	41'-6"	5	11	19'-3"		
44 - 55.00 - 44	26	4'-6"	9	11	46'-5"	47'-8"	9	11	58'-10"	5	11	26'-10"	10	11	42'-4"	5	11	19'-8"		
45 - 56.25 - 45	26 1/2	4'-6"	10	11	47'-11"	49'-4"	10	11	61'-1"	5	11	27'-5"	10	11	43'-1"	5	11	20'-2"		
46 - 57.50 - 46	27	4'-6"	10	11	48'-11"	50'-4"	10	11	62'-4"	5	11	28'-1"	10	11	43'-10"	5	11	20'-8"		

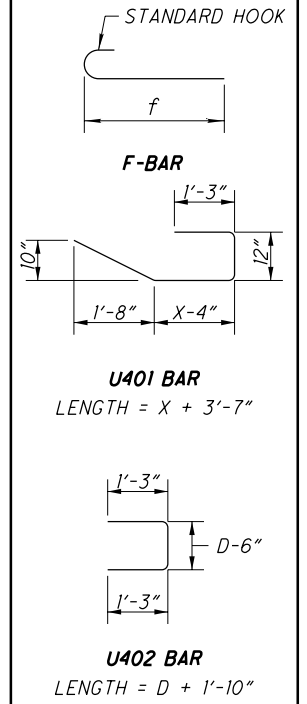


**EDGE BEAM DETAIL**  
(FOR SLABS WITH T < 18")

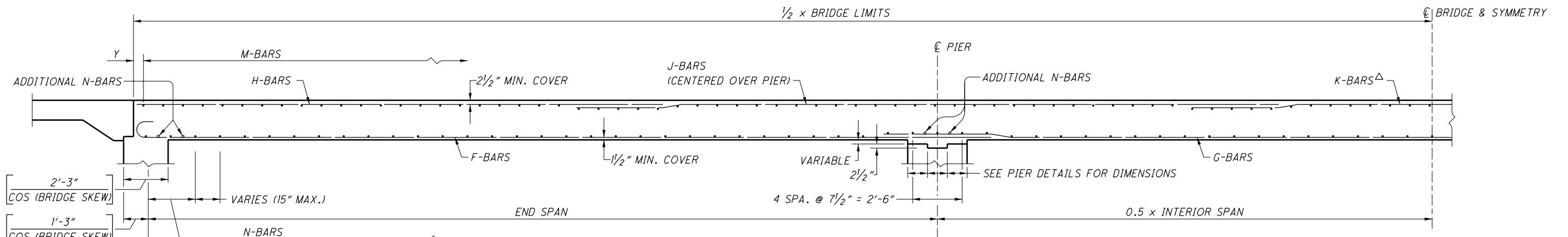


**EDGE BEAM DETAIL**  
(FOR SLABS WITH T ≥ 18")

**BENDING DIAGRAMS**



**NOTE**  
F BAR LENGTHS INCLUDE THE 180° BEND STANDARD HOOK LENGTH.



**EDGE BEAM ELEVATION - OVER THE SIDE DRAINAGE**

$$Y \text{ (INCHES)} = \frac{1}{2} [\text{BRIDGE LIMITS (FEET)} - (\text{NO. M BARS} - 1) * \text{M BAR SPACING (FEET)}] * 12$$

**LEGEND:**

△ - K-BARS ARE NOT ALWAYS REQUIRED; SEE SLAB DATA TABLE ON THIS SHEET

$$+ - \text{LENGTH} = \frac{1}{3} [\text{BRIDGE LIMITS (FEET)} + 6.0]$$

DESIGN AGENCY: OFFICE OF STRUCTURAL ENGINEERING ORIGINAL DESIGN PREPARED BY: E.L. ROBINSON  
 STATE OF OHIO DEPARTMENT OF TRANSPORTATION  
 07-18-08  
 DATE  
 ADMINISTRATOR  
 REVIEWED: FILE  
 CHECKED: DFT  
 DESIGNED: AME  
 DRAWN: DTA  
 REVISIONS  
 STANDARD CONTINUOUS SLAB BRIDGE  
 CS-1-08  
 3 / 4