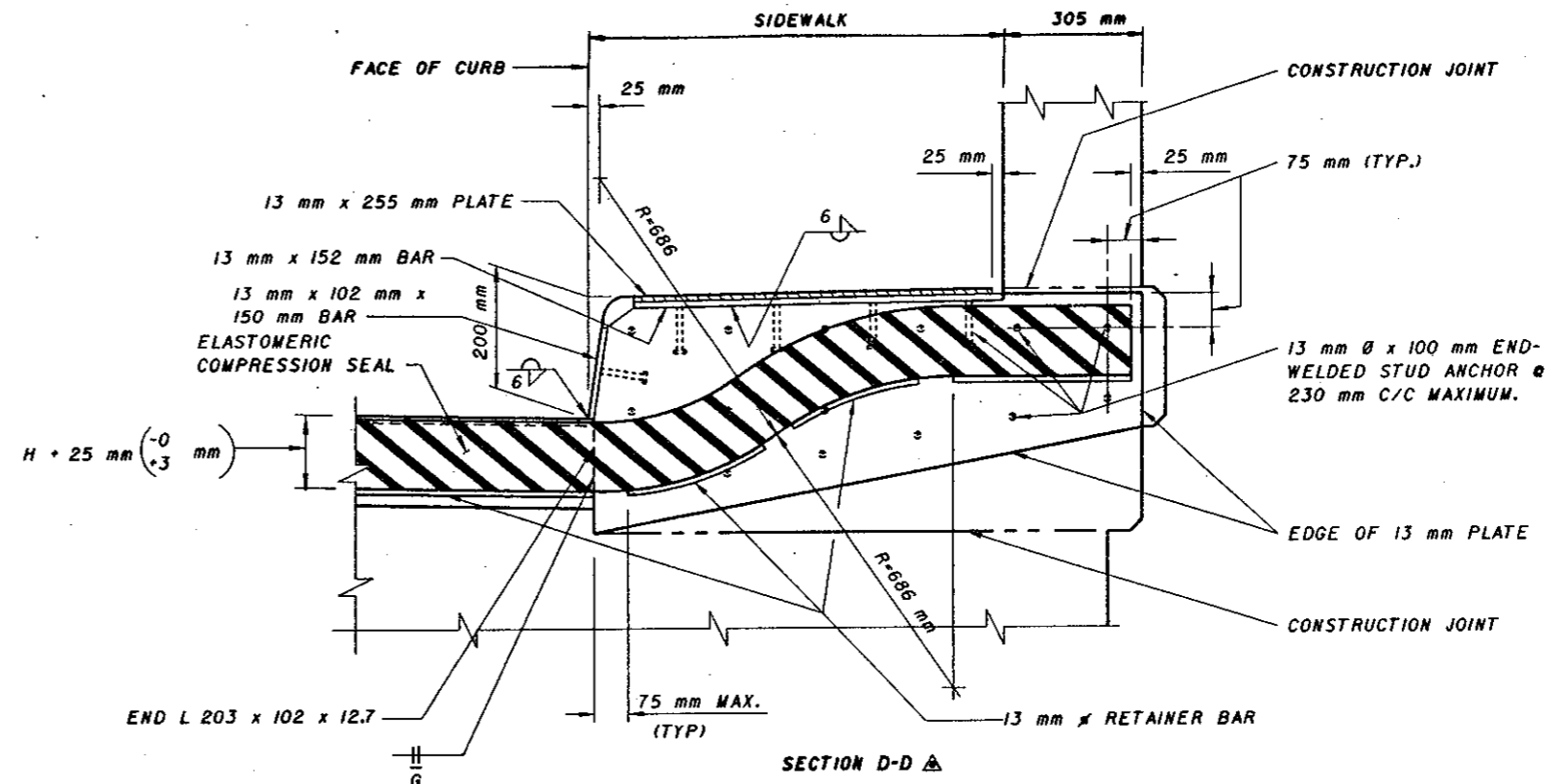
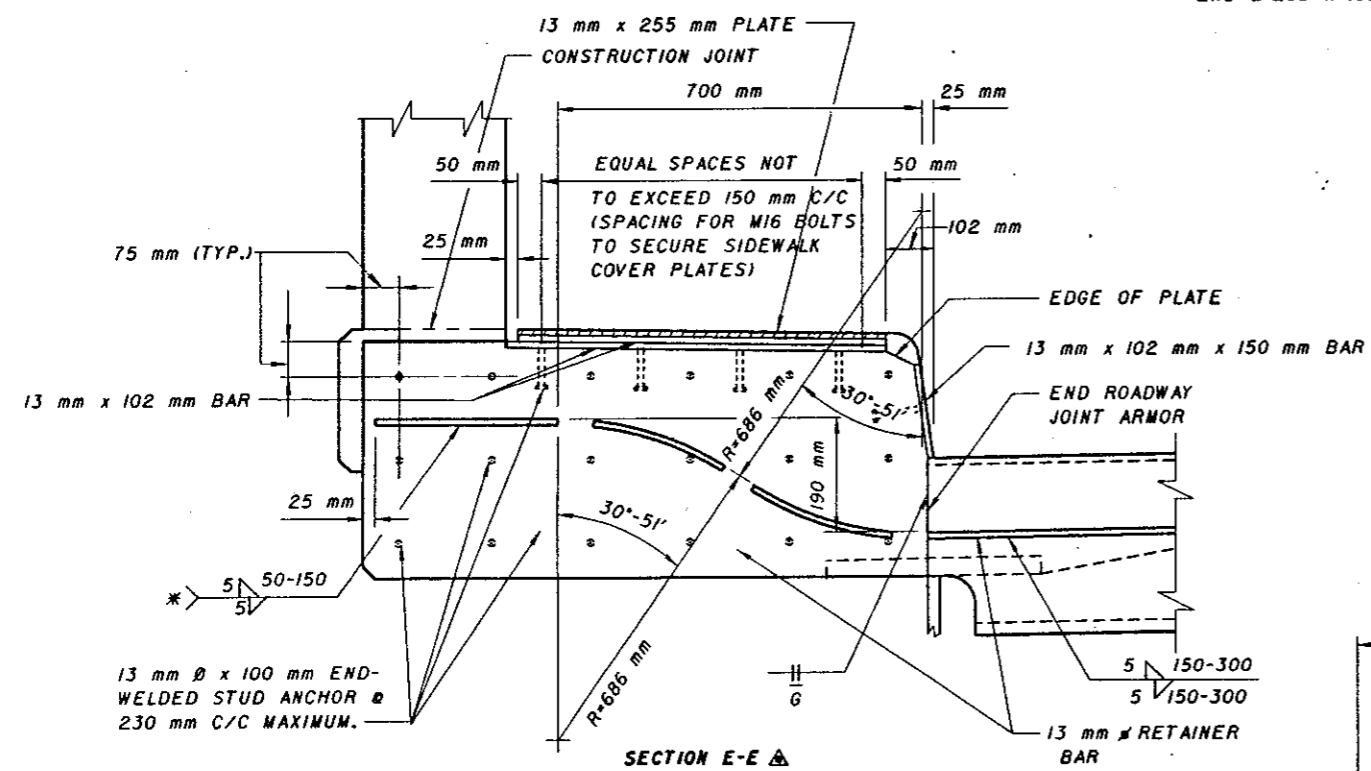


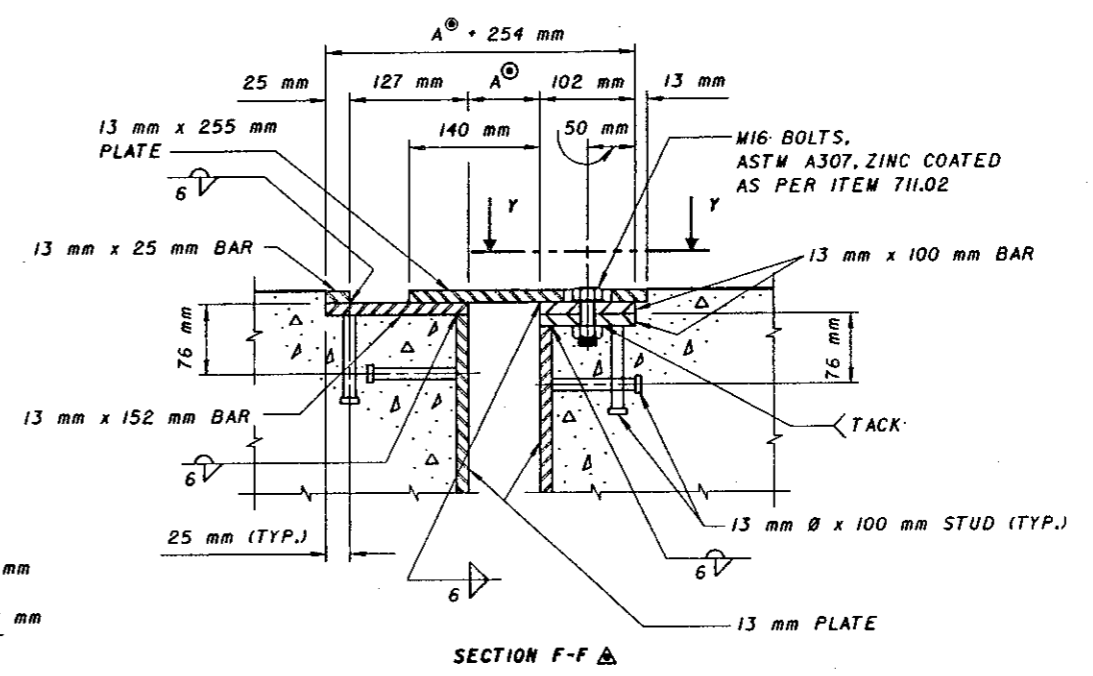
PART PLAN AT ABUTMENT  
FOR BRIDGES WITH SIDEWALK PARAPET RAILING



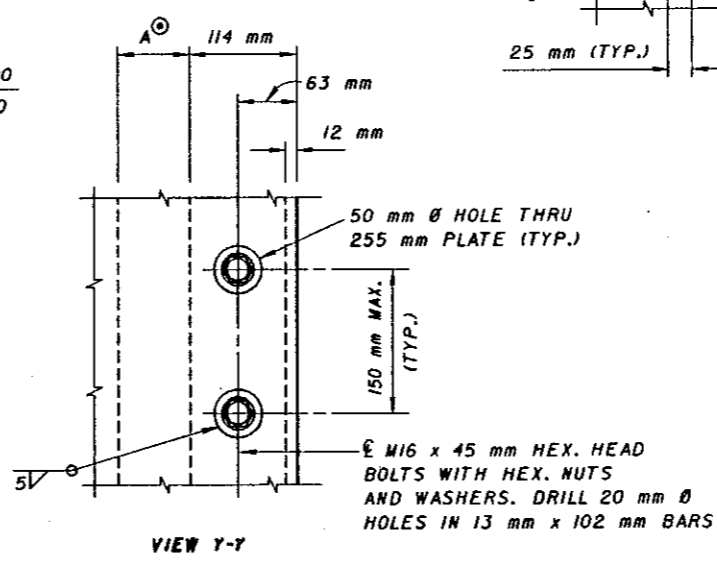
SECTION D-D



SECTION E-E



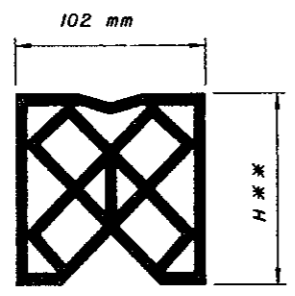
SECTION F-F



VIEW Y-Y

\* TYPICAL FOR 13 mm \* BAR SEGMENTS IN SIDEWALK

NOTE: JOINT SEAL NOT SHOWN IN SECTION E-E AND SECTION F-F



COMPRESSION SEAL DETAIL

\*\* SEE MANUFACTURER'S CATALOGUE FOR SEAL ACTUALLY CHOSEN FOR USE.

LEGEND:  
R = RADIUS

D. S. BROWN'S CV-4000, WATSON BOWMAN ACME'S WJ-400, OR AN APPROVED ALTERNATE

NOTE:  
FOR ADDITIONAL NOTES AND DETAILS SEE SHEET 1/3 AND 3/3