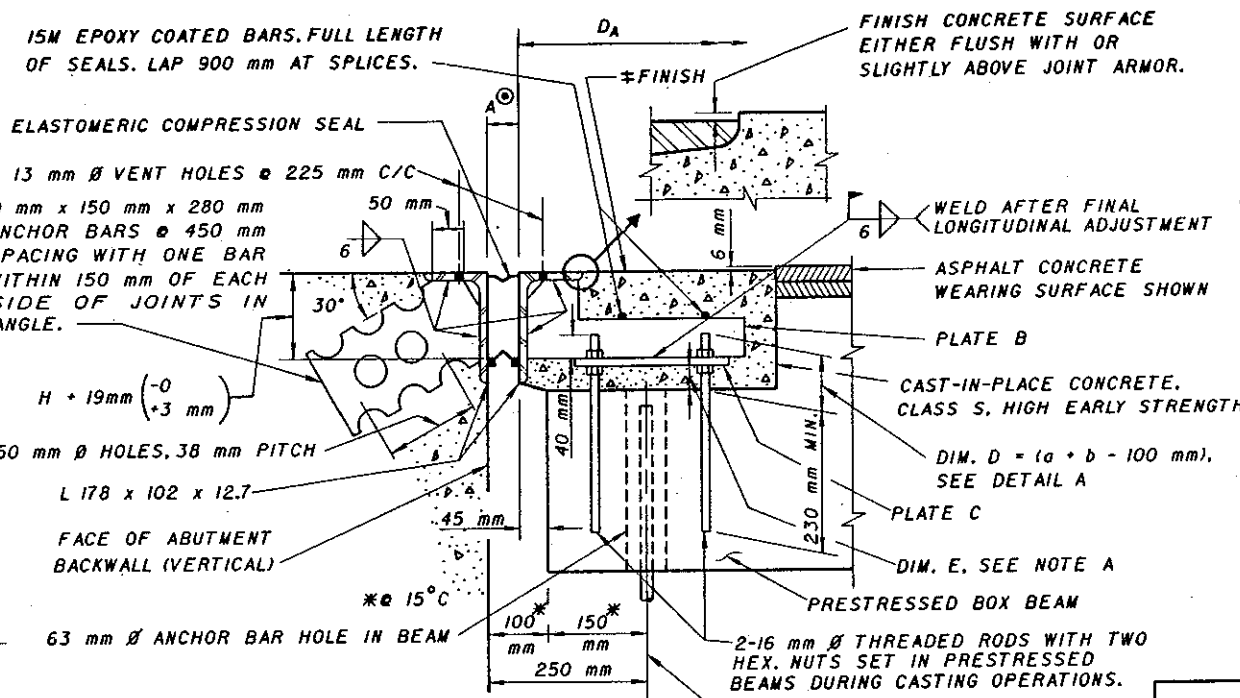


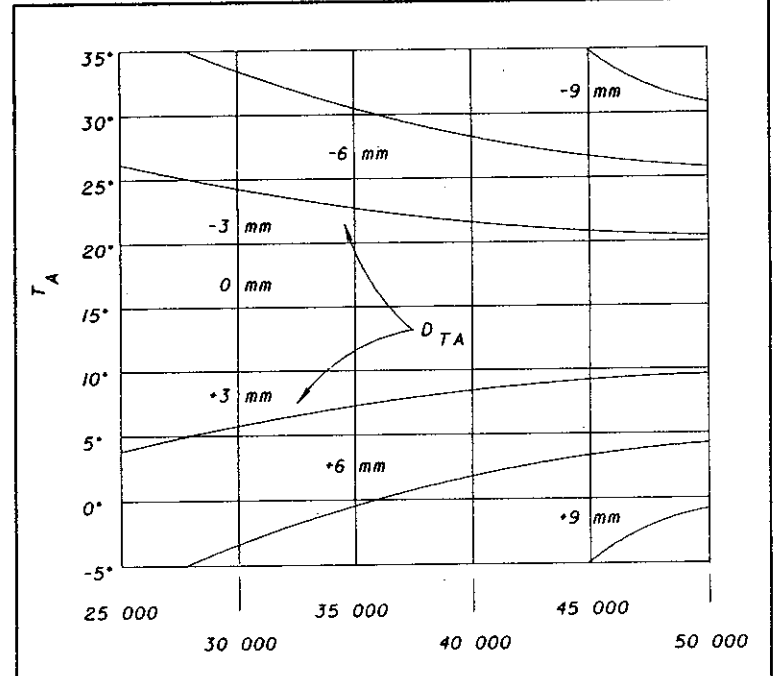
**PART PLAN AT ABUTMENT
FOR BRIDGES WITH DEFLECTOR PARAPET RAILING**



**SECTION A-A
WITH ROADWAY GRADIENT OF 2% OR LESS SHOWN**

CONSTRUCTION PROCEDURE

1. PLACE BACKWALL CONCRETE DURING STABLE OR RISING AMBIENT TEMPERATURES AND CONCLUDE PLACEMENT AT OR IMMEDIATELY BEFORE THE DAY'S PEAK AMBIENT TEMPERATURE.
2. NOT MORE THAN FOUR HOURS PRIOR TO THE DAY'S PEAK AMBIENT TEMPERATURE, SET ABUTMENT EXPANSION JOINT WIDTH TO DIMENSION A WHICH SHALL BE DETERMINED AS FOLLOWS:
 $A = 55 \text{ mm} \pm D_{TA}$, WHERE
 A = JOINT WIDTH (MILLIMETERS) MEASURED NORMAL TO JOINT
 D_{TA} = ADJUSTMENT (MILLIMETERS) FOR A PEAK AMBIENT TEMPERATURE OTHER THAN 15°C (SEE CHART).
3. LOOSEN TEMPORARY END DAM BOLTS AFTER INITIAL SET OF CONCRETE, PREFERABLY NOT LATER THAN TWO HOURS AFTER CONCLUSION OF CONCRETE PLACEMENT.
4. SURFACE TEXTURE ON DECK JOINTS MAY BE PARALLEL WITH THE JOINT FOR SKEWED BRIDGES WITH ASPHALT CONCRETE WEARING SURFACE.



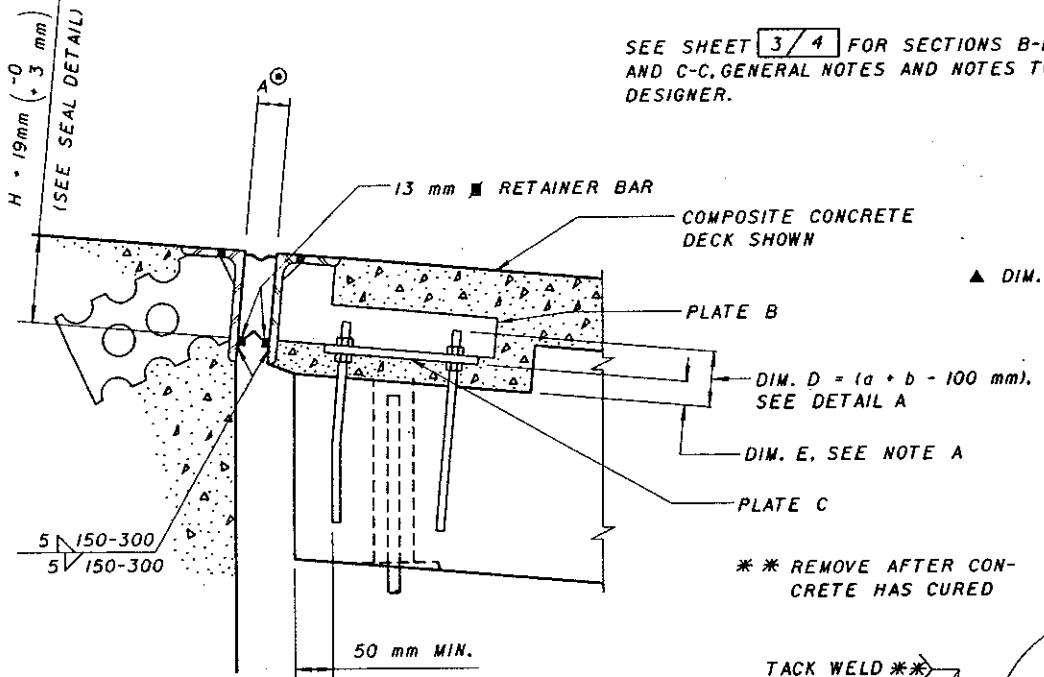
T_A = ANTICIPATED PEAK AMBIENT TEMPERATURE (°C).

D_A = ACTUAL DISTANCE TO THE THERMAL NEUTRAL EXPANSION POINT OF SUPERSTRUCTURE ALONG CENTER LINE OF ROADWAY. SEE SECTION A-A ON THIS SHEET. THERMAL NEUTRAL POINT OF THE SUPERSTRUCTURE IS THAT POINT WHICH HAS ZERO HORIZONTAL MOVEMENT DURING TEMPERATURE CHANGES (mm).

D_M = MODIFIED DISTANCE FOR DETERMINING JOINT ADJUSTMENT (mm).

θ = SKEW ANGLE OF EXPANSION JOINT.

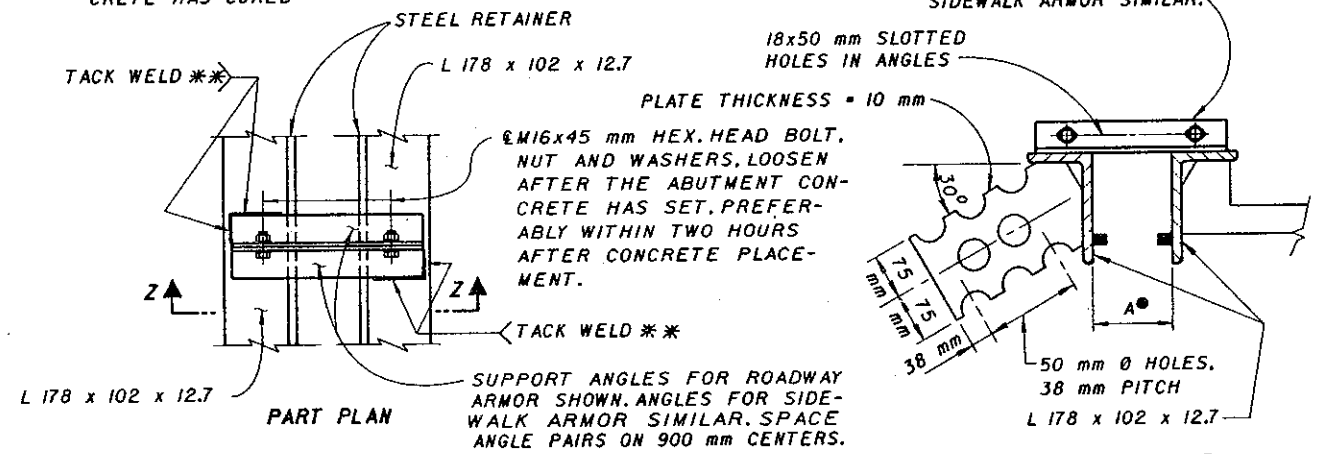
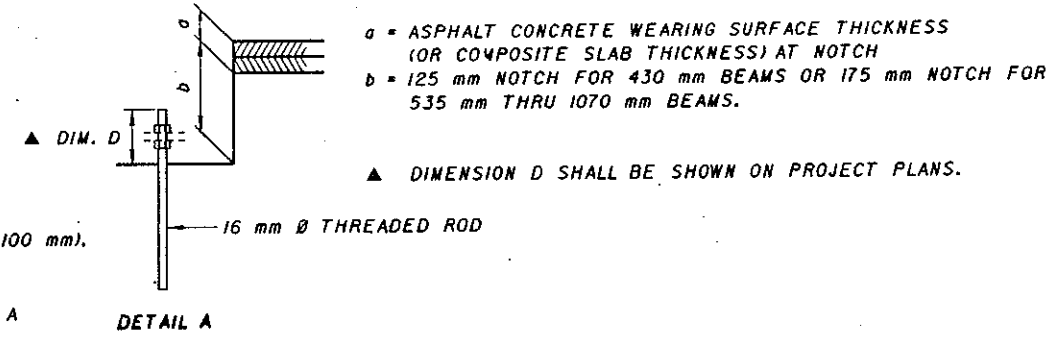
DIMENSION "A" ADJUSTMENT D_{TA}



**SECTION A-A
WITH ROADWAY GRADIENT GREATER THAN 2%**

TRANSVERSE JOINTS IN ABUTMENT ARMOR ANGLES SHALL BE CLOSELY BUTTED WITH A MINIMUM OF 1800 mm BETWEEN JOINTS. SUPERSTRUCTURE ARMOR ANGLES SHALL BE CONTINUOUS FULL LENGTH OF JOINT WITH A FULL PENETRATION BUTT WELD AT EACH ARMOR ANGLE SPLICE. BUTT WELD METAL IN CONTACT WITH COMPRESSION SEAL AND RETAINER BAR SHALL BE GROUND FLUSH.

NOTE A:
IF DIM. E IS LESS THAN 75 mm A BED OF NON-SHRINKING GROUT SHALL BE PLACED AND COMPACTED UNDER EACH PLATE C AFTER FINAL VERTICAL ADJUSTMENT.



JOINT ARMOR ADJUSTMENT DETAIL

AN ALTERNATE DETAIL MAY BE USED SUBJECT TO THE DIRECTOR'S APPROVAL.