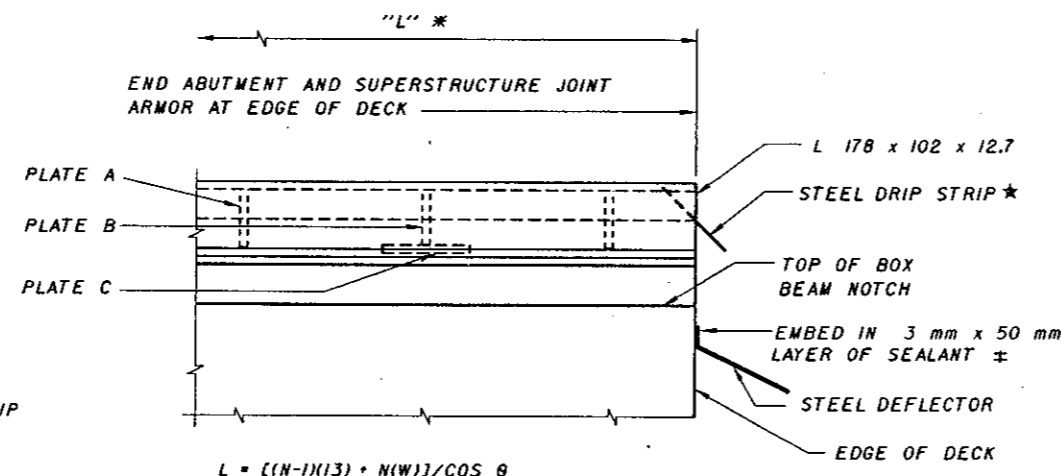
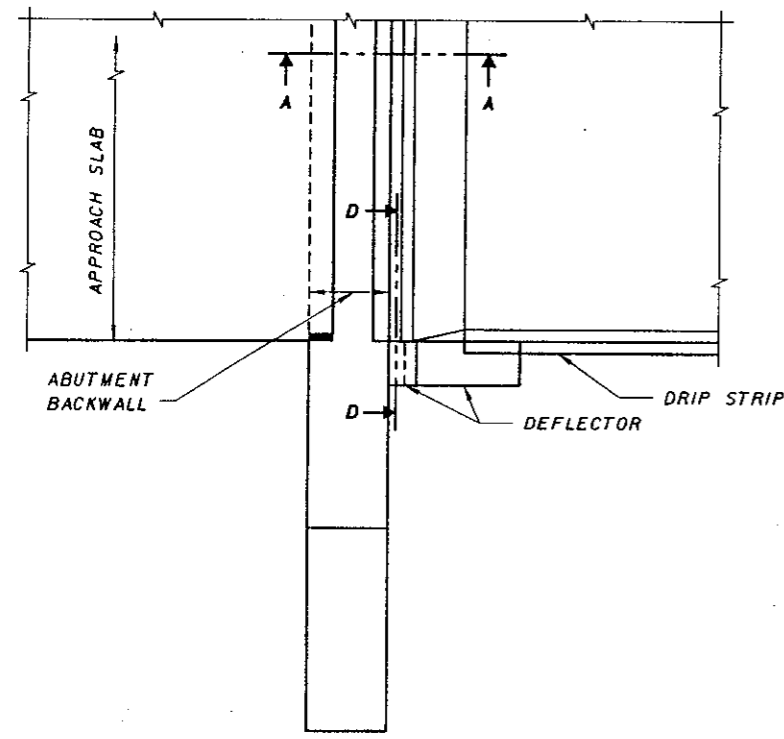
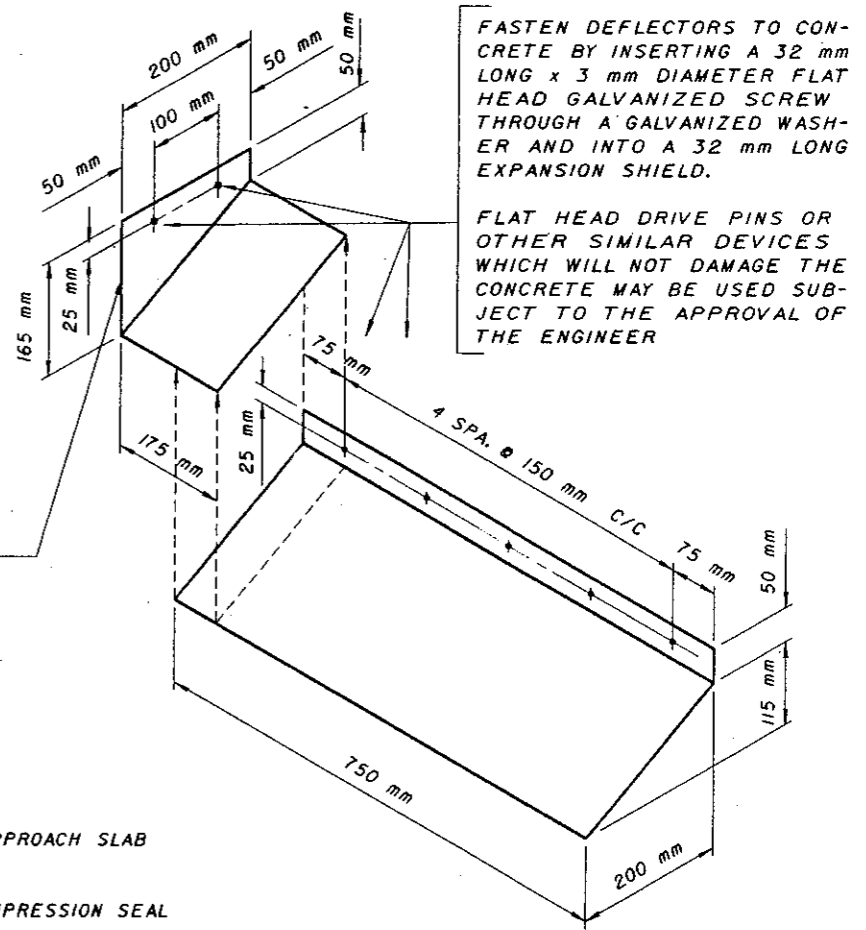


★ THE STEEL DRIP STRIP ON THE EDGE OF THE FASCIA BEAM SHALL BE PAID FOR UNDER A SEPARATE PAY ITEM, ITEM SPECIAL, "STEEL DRIP STRIP".



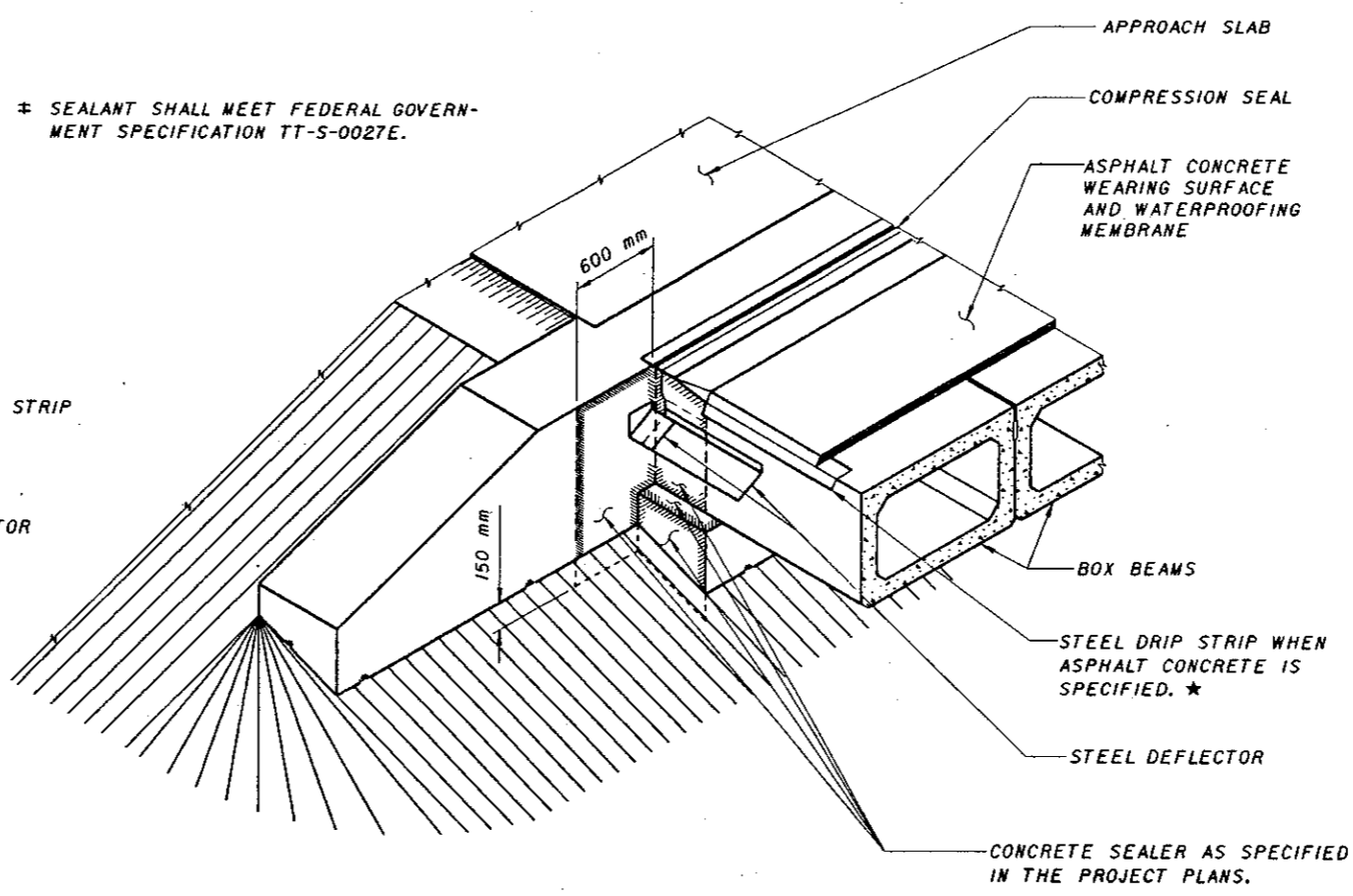
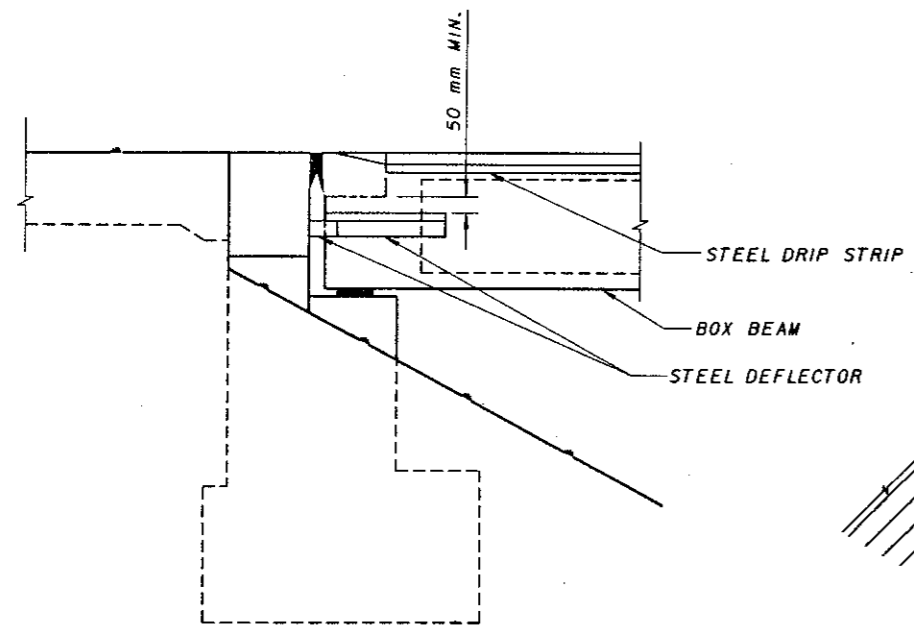
$L = [(N-1)(1/3) + N(W)] / \cos \theta$
 N = NUMBER OF BEAMS
 W = NOMINAL WIDTH OF BEAMS (mm)
 θ = SKEW ANGLE OF JOINT
 L = LENGTH OF JOINT, EDGE TO EDGE OF DECK (mm)

SECTION D-D
 * NOTE: JOINT ARMOR SHALL BE OF SUFFICIENT LENGTH TO ALLOW FOR FIT-UP OF BEAMS. SEE FORMULA FOR LENGTH "L".



PART PLAN AT ABUTMENT FOR FULL WIDTH STRUCTURES (SEE SHEET 1/4 FOR SECTION A-A)

† SEALANT SHALL MEET FEDERAL GOVERNMENT SPECIFICATION TT-S-0027E.



DEFLECTOR DETAILS
 DEFLECTORS SHALL BE MADE FROM 0.8 mm THICK STAINLESS STEEL MEETING THE REQUIREMENTS OF ASTM 167, TYPE 304, MILL FINISH STAINLESS STEEL.

CONCRETE PROTECTION AS DETAILED ON THIS SHEET (STAINLESS STEEL DEFLECTORS AT ABUTMENTS AND CONCRETE SEALER ON DESIGNATED SURFACES) SHALL BE PROVIDED IF CALLED FOR ON THE PROJECT PLANS AND SHALL BE INCLUDED WITH ITEM 516 FOR PAYMENT. IN THIS CASE THE PAY ITEM SHALL BE "STRUCTURAL EXPANSION JOINTS INCLUDING ELASTOMERIC COMPRESSION SEALS AND CONCRETE PROTECTION".