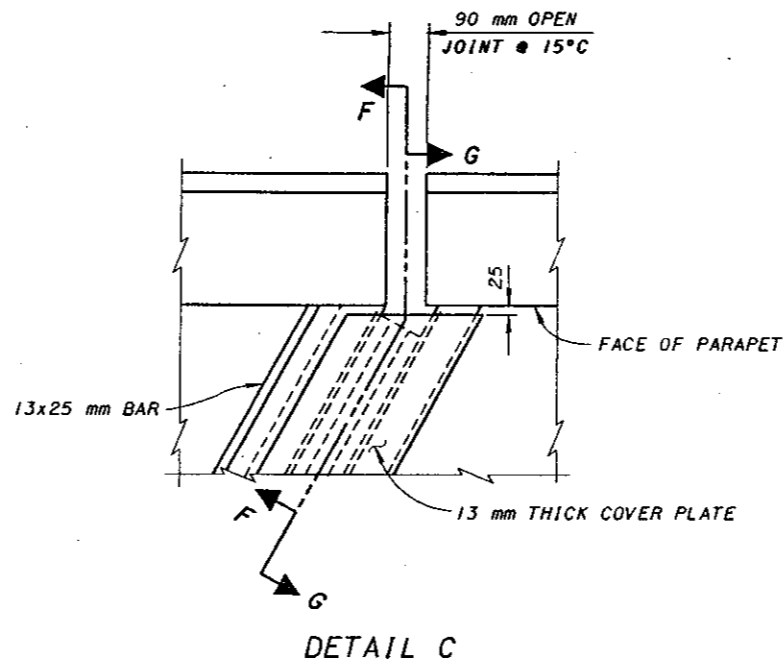
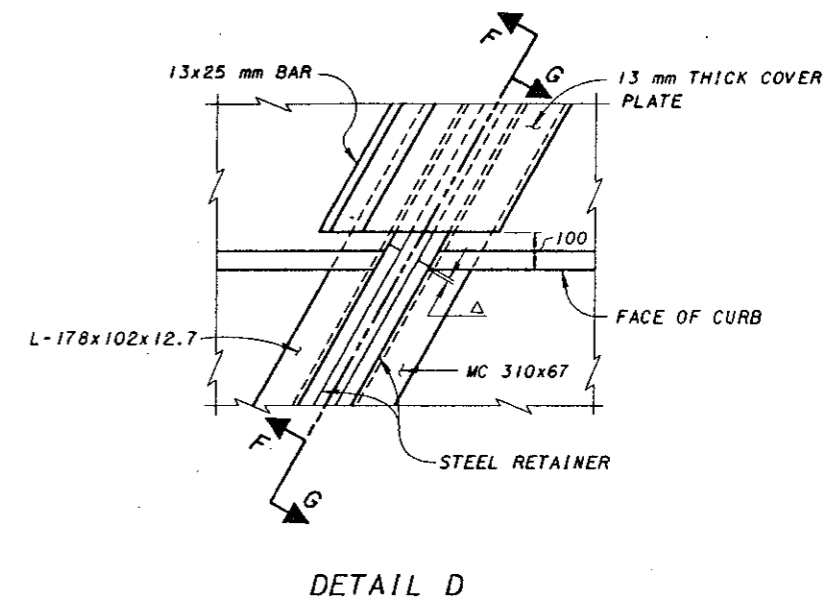


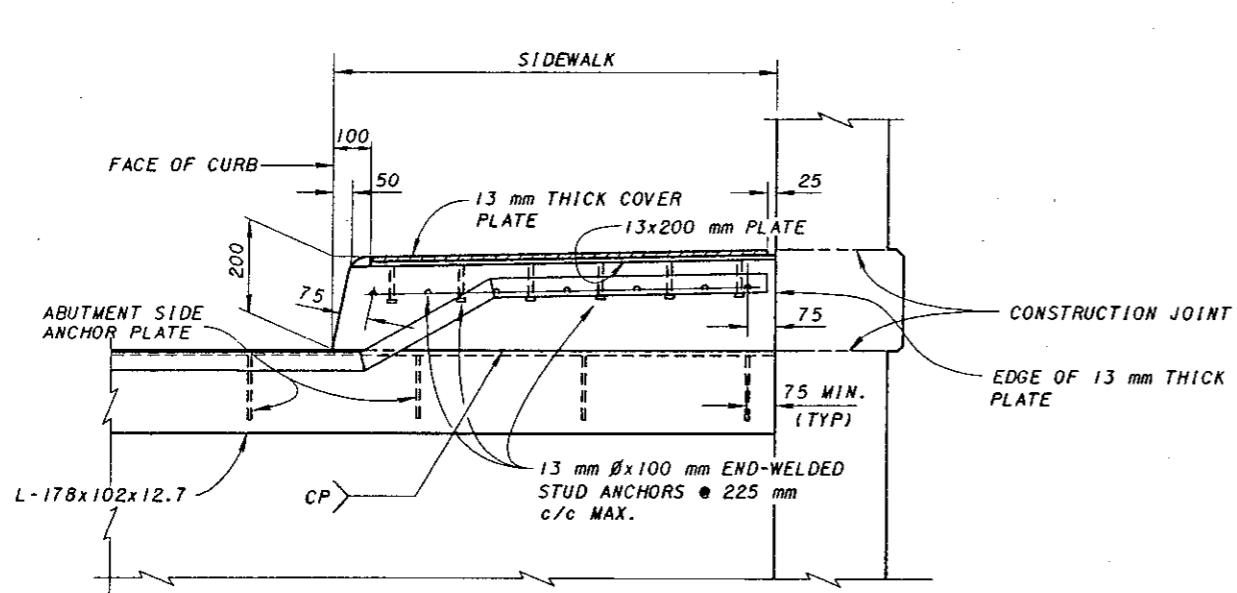
**PART PLAN AT ABUTMENT
FOR BRIDGES WITH SIDEWALK
PARAPET RAILING**



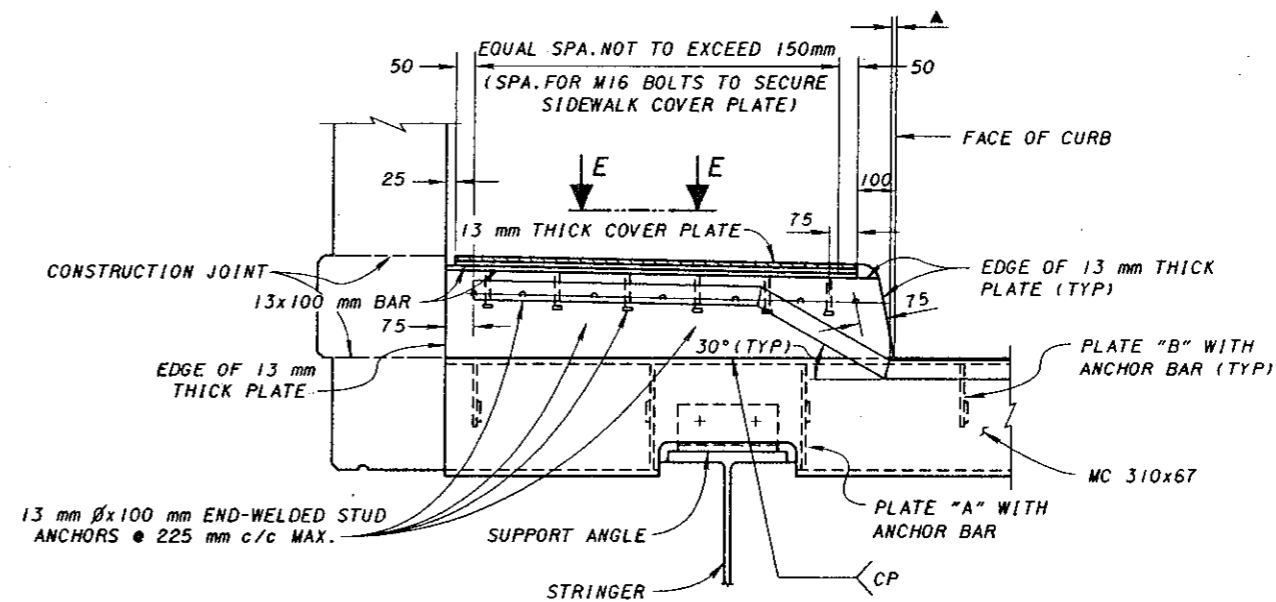
DETAIL C



DETAIL D



SECTION F-F



SECTION G-G

▲ - 0 MIN. TO 13 mm MAX. AT BREAKPOINT IN RETAINER FOR SQUARE BRIDGES. ON SKEWED BRIDGES THIS DIMENSION WILL ONLY APPLY TO THE SIDE OF JOINT ASSEMBLY WHICH IS NEAREST TO THE CURB LINE (SEE DETAIL "D" ABOVE).

NOTES:
FOR VIEW E-E SEE SHEET 4/5.
FOR SECTION X-X SEE SHEET 2/5.
FOR SECTION Y-Y SEE SHEET 4/5.

DESIGN AGENCY BUREAU OF BRIDGES AND STRUCTURAL DESIGN	DATE 8-20-95	STATE OF OHIO DEPARTMENT OF TRANSPORTATION ENGINEER OF BRIDGES <i>Richard J. Engel</i>	REVIEWED	L MW
			CHECKED	J S
STANDARD			DESIGNED	A J M
STRIP SEAL EXPANSION JOINTS FOR STEEL STRINGER STRUCTURES			DRAWN	A J M
REVISED			EXJ-4-BTM	
4	5			