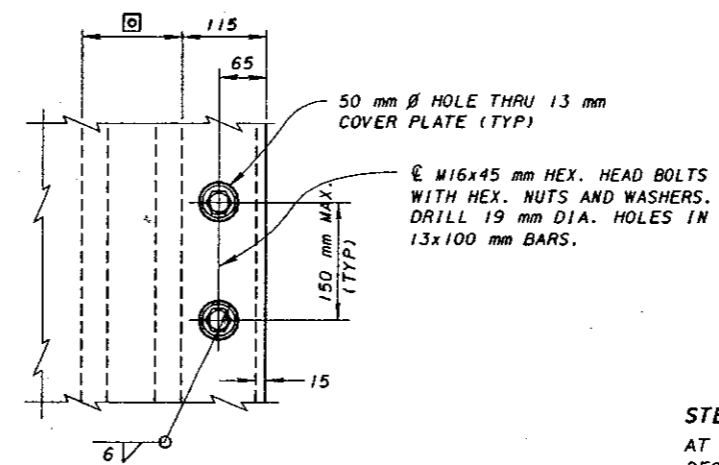
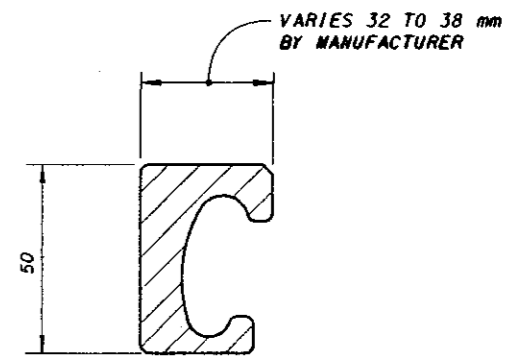


SECTION Y-Y



VIEW E-E

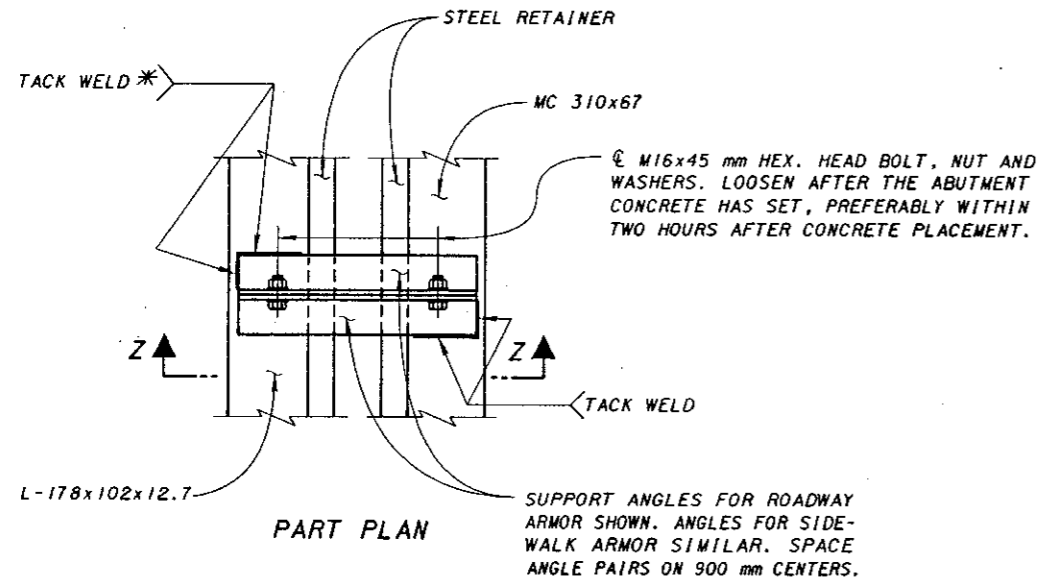


RETAINER DETAIL

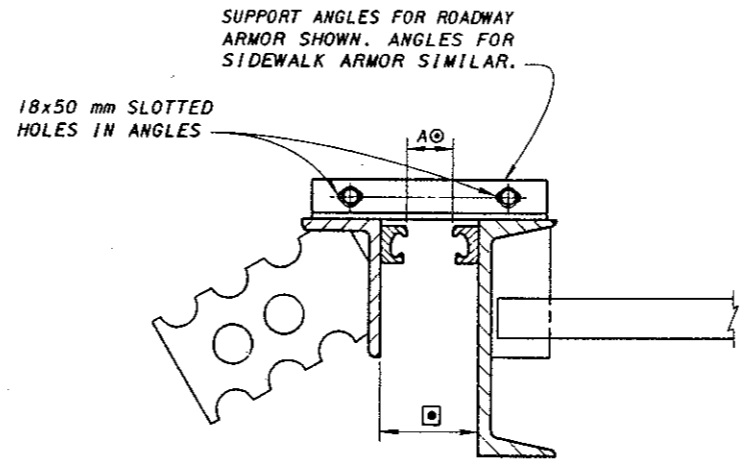
STEEL RETAINER REQUIREMENTS:
 AT JOINT UPTURNS, ESPECIALLY ON SKEWED BRIDGE DECKS, THE USE OF SPLIT RETAINERS MAY BE NECESSARY TO ENSURE GOOD SEAL GLAND INSTALLATION. WHEN THE SPLIT RETAINER IS USED, THE DESIGN SHALL BE SUBMITTED TO THE DIRECTOR FOR APPROVAL.

THE PROPOSED STEEL RETAINER SHALL CONFORM TO THE DIMENSIONS SHOWN ABOVE. THE RETAINERS SHALL BE PRODUCED AS A SOLID SHAPE EXTRUSION, A HOT ROLLED SOLID SHAPE OR SOLID SHAPE MACHINED FROM A SOLID BAR OF STEEL. STEEL RETAINERS MANUFACTURED BY THE BENDING OF A PLATE OR WELDING OF PIECES TOGETHER ARE NOT ACCEPTABLE. THE INTERNAL DIMENSIONS OF THE STEEL RETAINER SHALL MATCH THE MANUFACTURER'S REQUIREMENTS FOR POSITIVE ANCHORAGE FOR THE GLAND.

ANY DEFECTS IN THE STEEL RETAINER OR THE ACTUAL EXPANSION JOINT THAT COULD CAUSE DAMAGE TO THE GLAND SHALL BE CORRECTED BEFORE THE GLAND IS INSTALLED.



PART PLAN



SECTION Z-Z

CONSTRUCTION PROCEDURE

1. ABUTMENT BACKWALL CONCRETE SHALL NOT BE PLACED UNTIL AFTER SUPERSTRUCTURE CONCRETE IN THE SPAN ADJACENT TO THE ABUTMENT HAS BEEN PLACED.
2. PLACE BACKWALL CONCRETE DURING STABLE OR RISING AMBIENT TEMPERATURES AND CONCLUDE PLACEMENT AT OR IMMEDIATELY BEFORE THE DAY'S PEAK AMBIENT TEMPERATURE.
3. NOT MORE THAN FOUR HOURS PRIOR TO THE DAY'S PEAK AMBIENT TEMPERATURE, SET ABUTMENT EXPANSION JOINT WIDTH TO DIMENSION "A". SEE DIMENSION "A" TABLE ON PROJECT PLANS.
4. LOOSEN TEMPORARY JOINT ARMOR BOLTS AFTER INITIAL SET OF CONCRETE, PREFERABLY NOT LATER THAN TWO HOURS AFTER CONCLUSION OF CONCRETE PLACEMENT.

⊙ - DIMENSION "A" SHALL BE DETERMINED FROM TABLE "B", TABLE "C" OR TABLE "D" ON SHEET 5/5.

JOINT ARMOR ADJUSTMENT DETAIL
 AN ALTERNATE DETAIL MAY BE USED SUBJECT TO THE DIRECTOR'S APPROVAL.