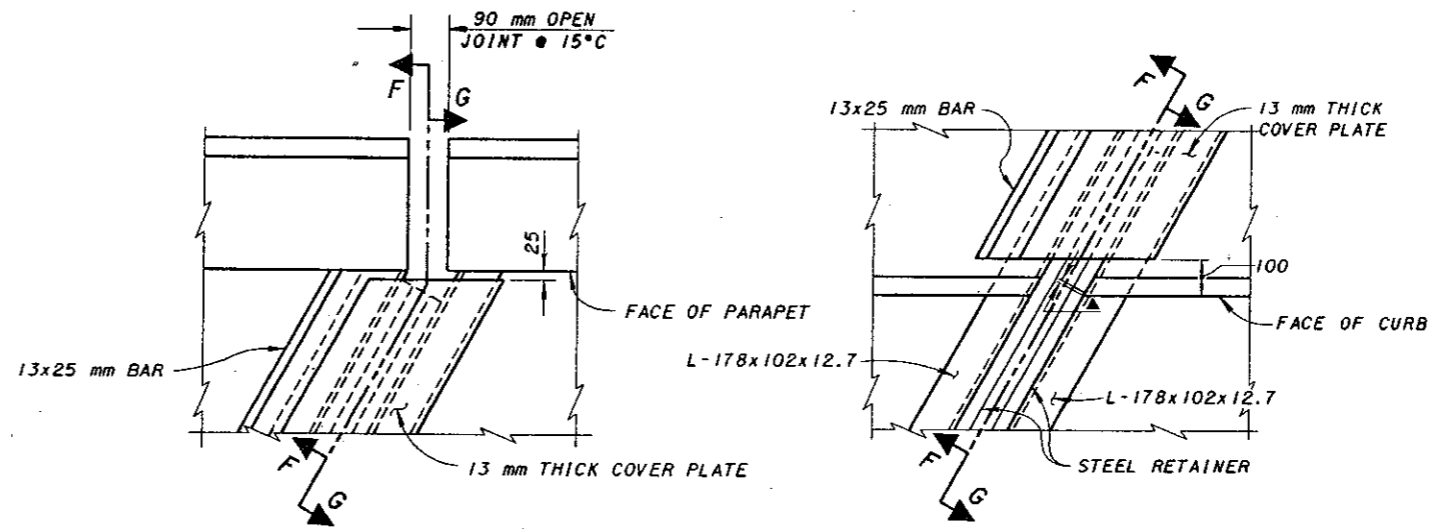
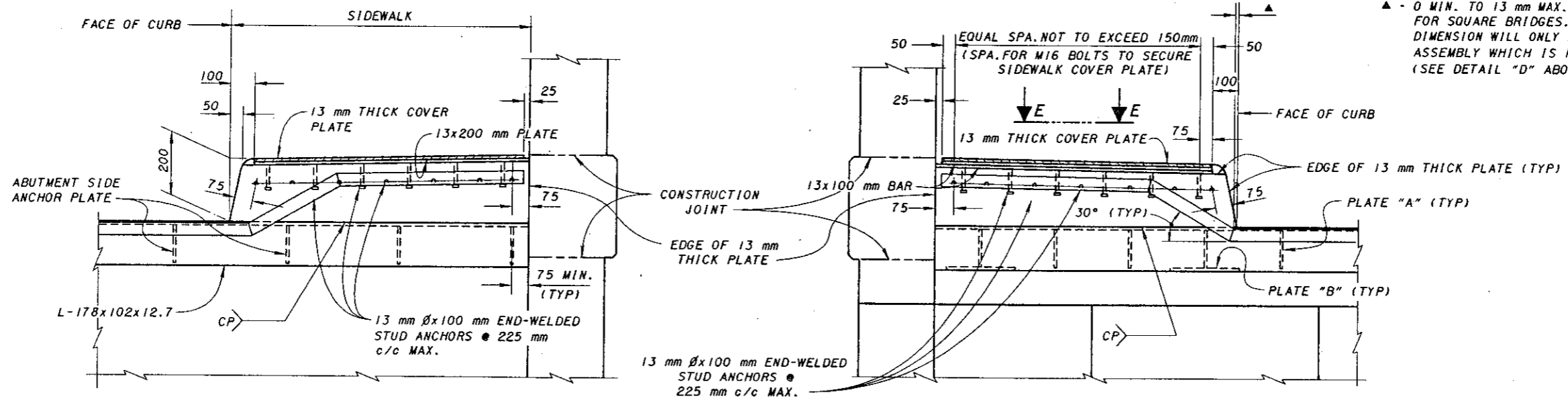


**PART PLAN AT ABUTMENT
FOR BRIDGES WITH SIDEWALK
PARAPET RAILING**



DETAIL C

DETAIL D



SECTION F-F

SECTION G-G

NOTES:
 FOR VIEW E-E SEE SHEET 4/5.
 FOR SECTION X-X SEE SHEET 2/5.
 FOR SECTION Y-Y SEE SHEET 4/5.

DESIGN AGENCY BUREAU OF BRIDGES AND STRUCTURAL DESIGN	STATE OF OHIO DEPARTMENT OF TRANSPORTATION <i>Richard L. Engel</i> ENGINEER OF BRIDGES	DATE 3-20-95
		REVISIONS
DESIGNED A/JM	CHECKED J/S	REVIEWED L/MW
STANDARD	STRIP SEAL EXPANSION JOINTS CONCRETE BOX BEAM STRUCTURES	EXJ-5-93M
3	5	