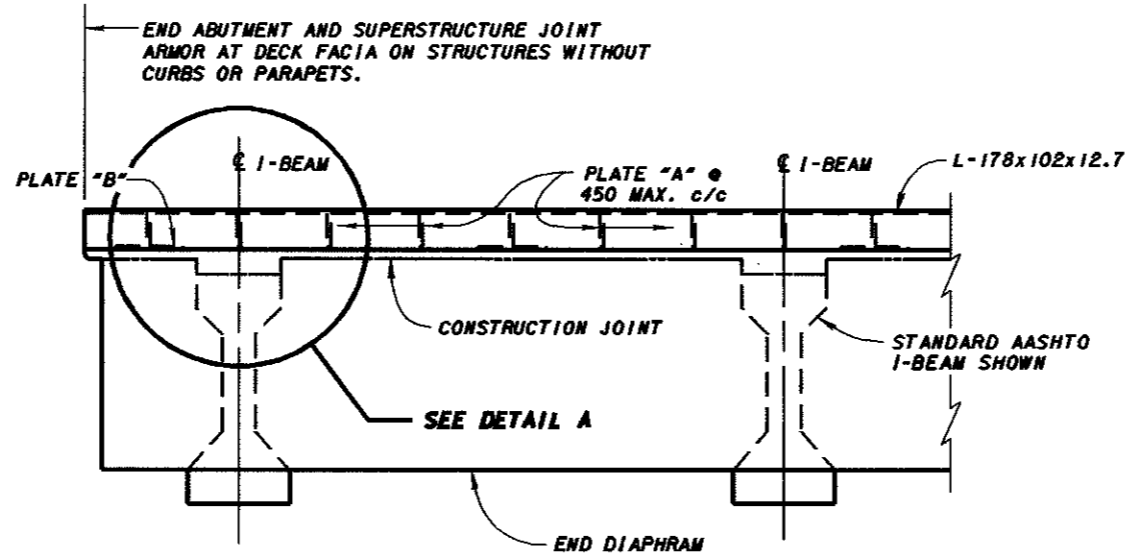
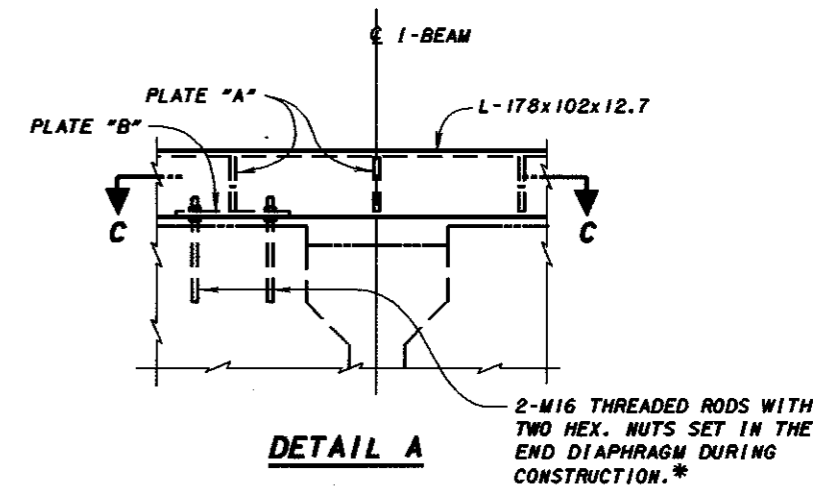


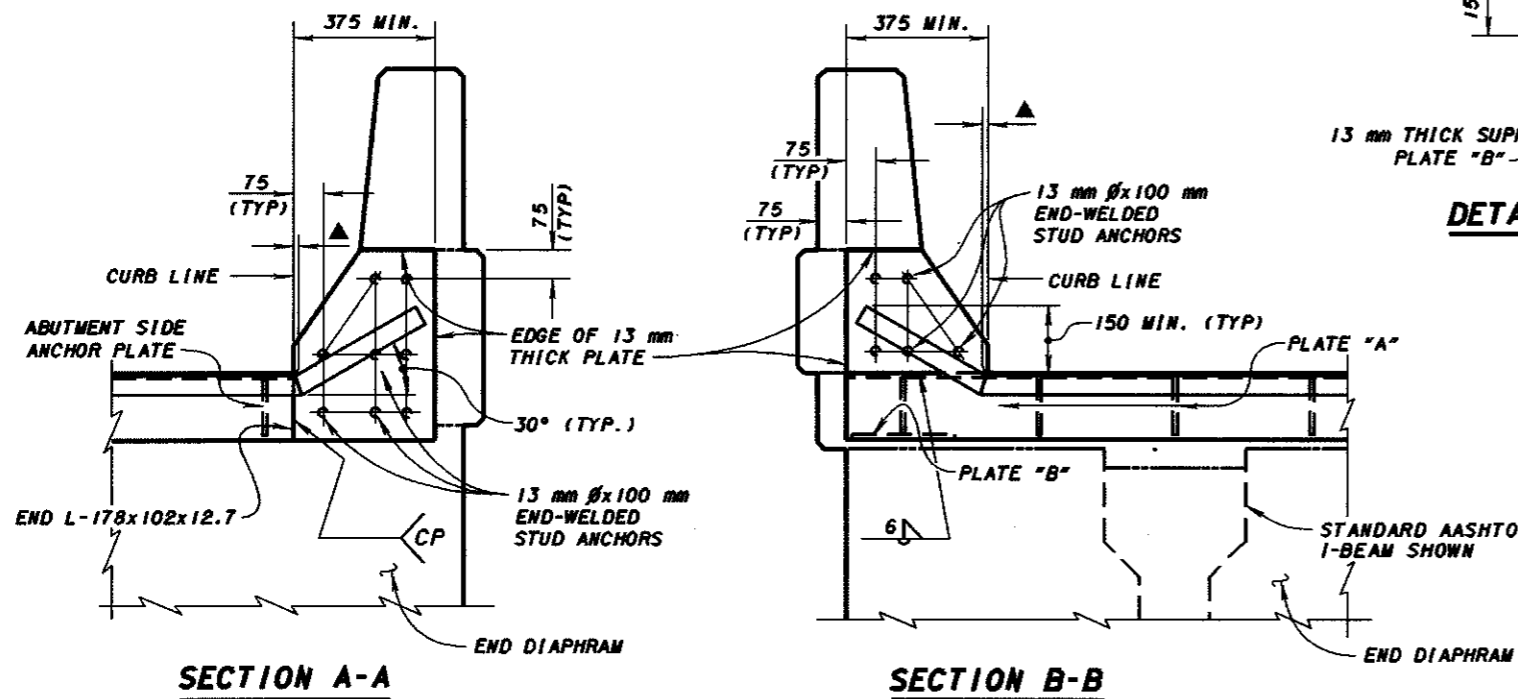
PART PLAN AT ABUTMENT
FOR SQUARE OR LOW SKEWED (15° OR LESS)
BRIDGES WITH DEFLECTOR PARAPET RAILING



END OF SUPERSTRUCTURE
(SIMILAR TO SECTION B-B)



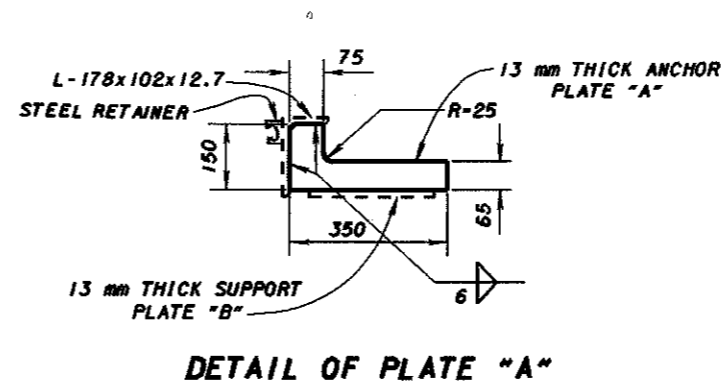
* - COIL INSERTS MAY BE USED, AS APPROVED BY THE DIRECTOR, INSTEAD OF DIRECTLY EMBEDDING THE THREADED RODS INTO THE END DIAPHRAGM. IN EITHER CASE, THE RODS AND NUTS SHALL BE A36M OR A307M STEEL, GALVANIZED AS PER 711.02.



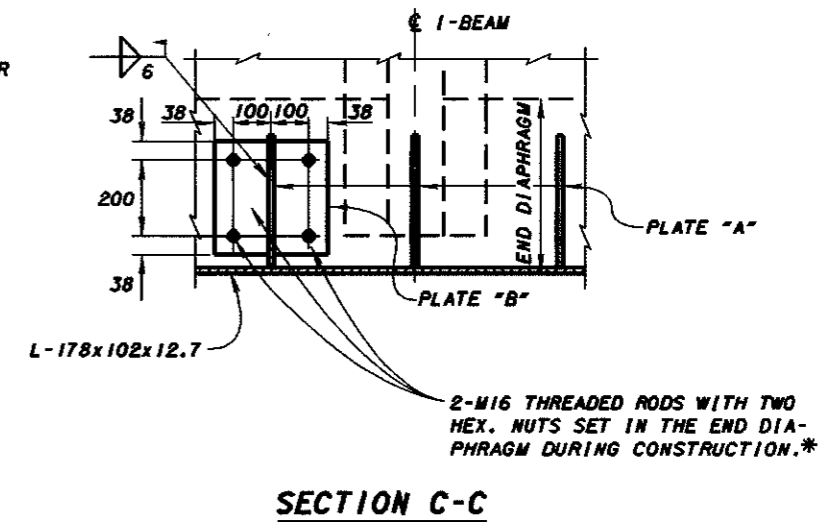
SECTION A-A

SECTION B-B

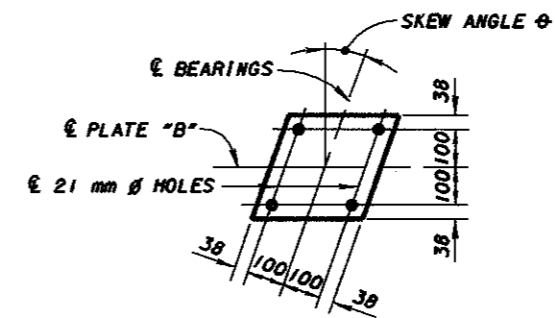
▲ - 0 MIN. TO 13 mm MAX. AT BREAKPOINT IN RETAINER FOR SQUARE BRIDGES. ON SKEWED BRIDGES THIS DIMENSION WILL ONLY APPLY TO THE SIDE OF JOINT ASSEMBLY WHICH IS NEAREST TO THE CURB LINE. (SEE SHEET 2/5).



DETAIL OF PLATE "A"



SECTION C-C



PLAN OF PLATE "B"

NOTES:
FOR SECTION X-X SEE SHEET 2/5.