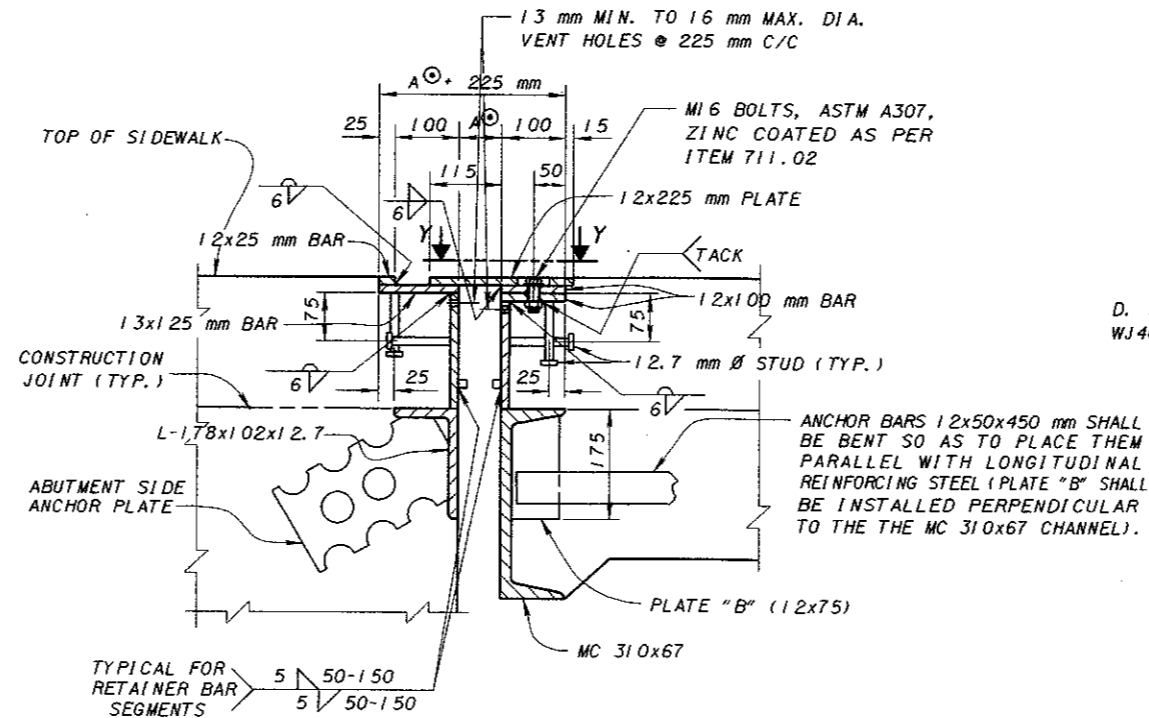
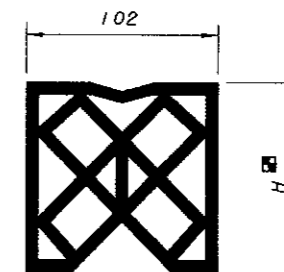


PART PLAN AT ABUTMENT
FOR BRIDGES WITH SIDEWALK PARAPET RAILING



SECTION G-G



COMPRESSION SEAL DETAIL

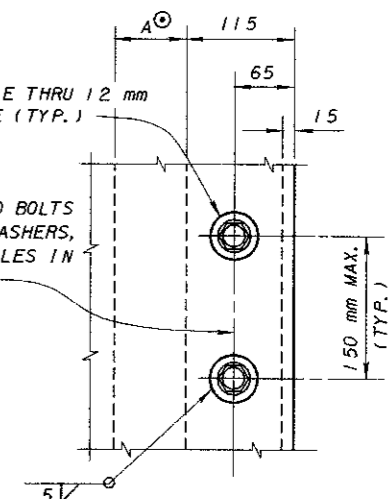
D. S. BROWN'S CV4000, WATSON-BOWMAN, ACME'S WJ400, OR AN APPROVED ALTERNATE.

SEE THE MANUFACTURER'S CATALOGUE FOR THE SEAL ACTUALLY CHOSEN FOR USE.

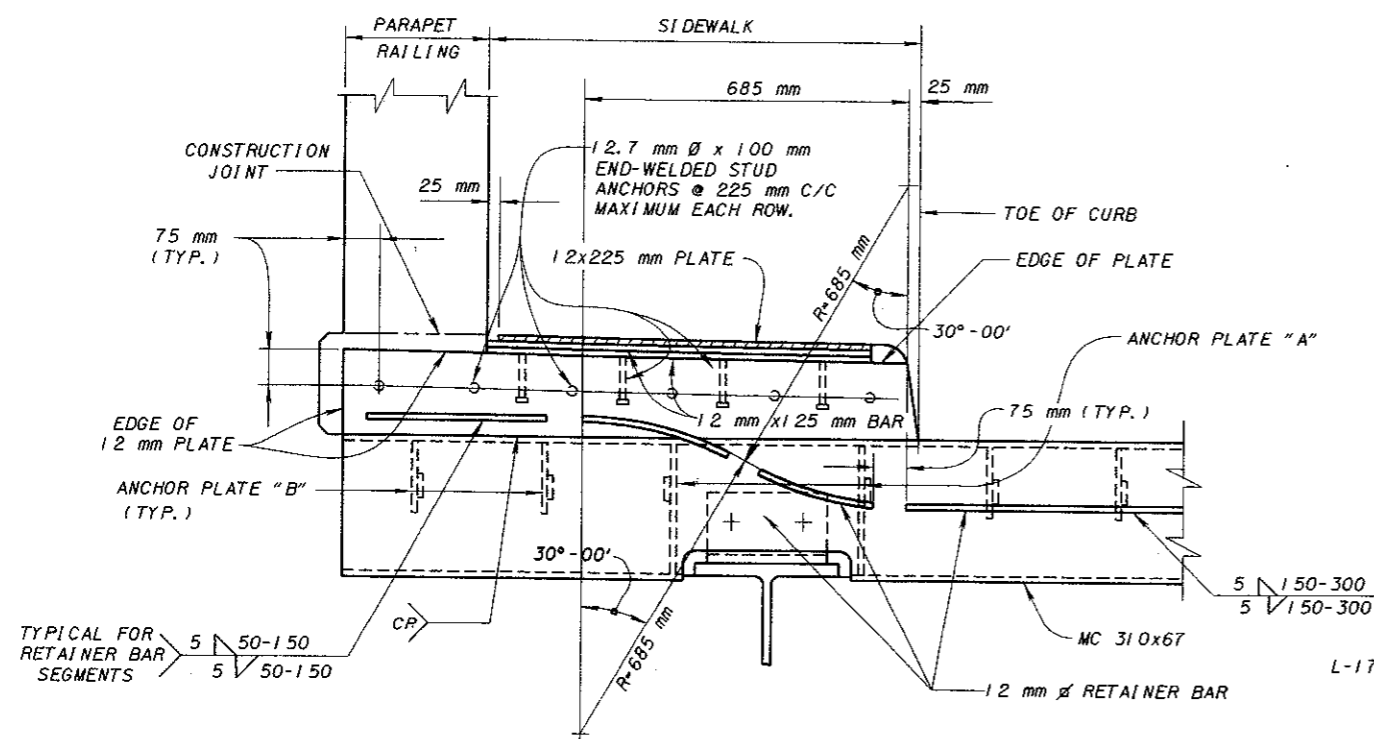
50 mm Ø HOLE THRU 12 mm COVER PLATE (TYP.)

MI 6x45 mm HEX. HEAD BOLTS WITH HEX. NUTS AND WASHERS, DRILL 19 mm DIA. HOLES IN 13x100 mm BARS.

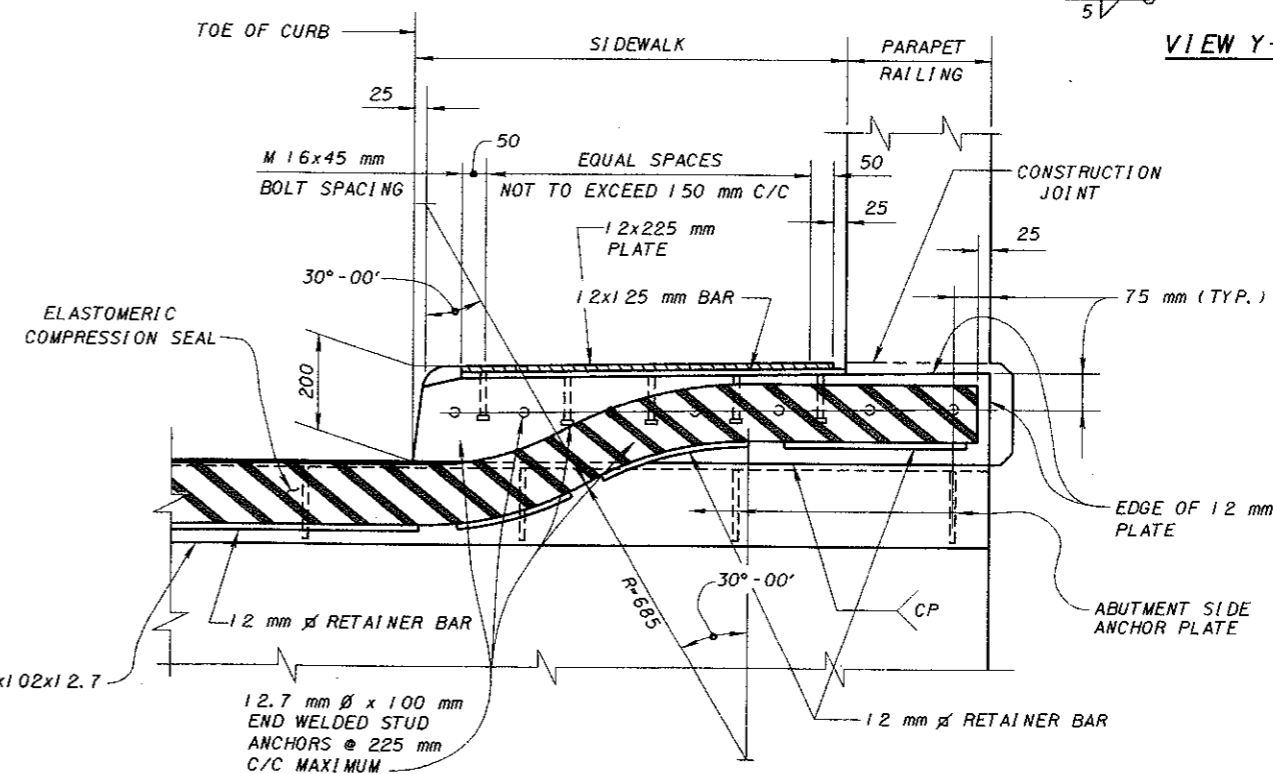
ANCHOR BARS 12x50x450 mm PLACED PARALLEL WITH LONGITUDINAL REINFORCING STEEL.



VIEW Y-Y



SECTION E-E
SEAL NOT SHOWN



SECTION D-D

SEE SECTION E-E FOR OTHER DETAILS NOT SHOWN

FOR SECTION A-A SEE SHEET 1/3.

SEE SHEET 3/3 FOR GENERAL NOTES AND FOR CONSTRUCTION PROCEDURES.

LEGEND:
R = RADIUS

TYPICAL FOR RETAINER BAR SEGMENTS