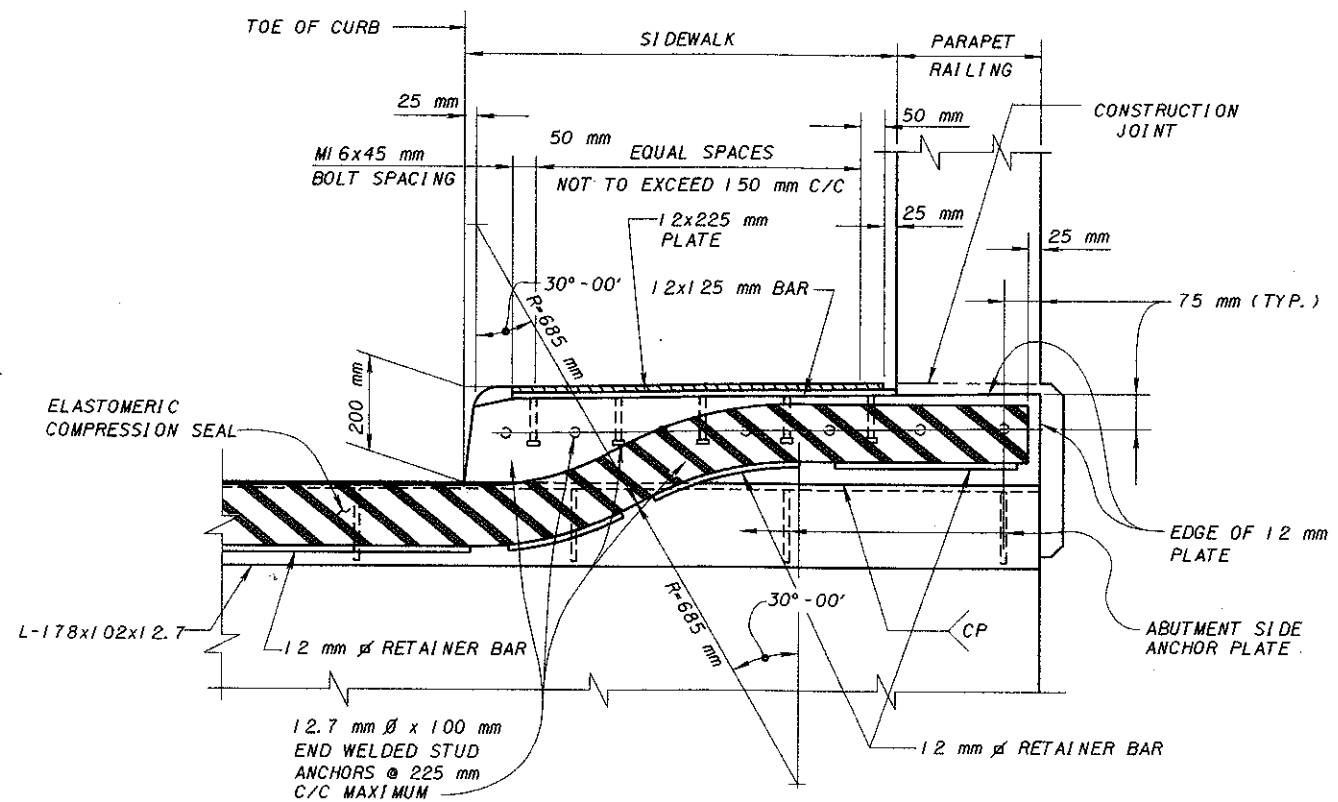
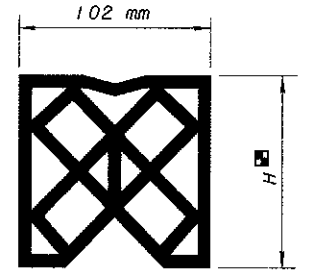


PART PLAN AT ABUTMENT
FOR BRIDGES WITH SIDEWALK PARAPET RAILING

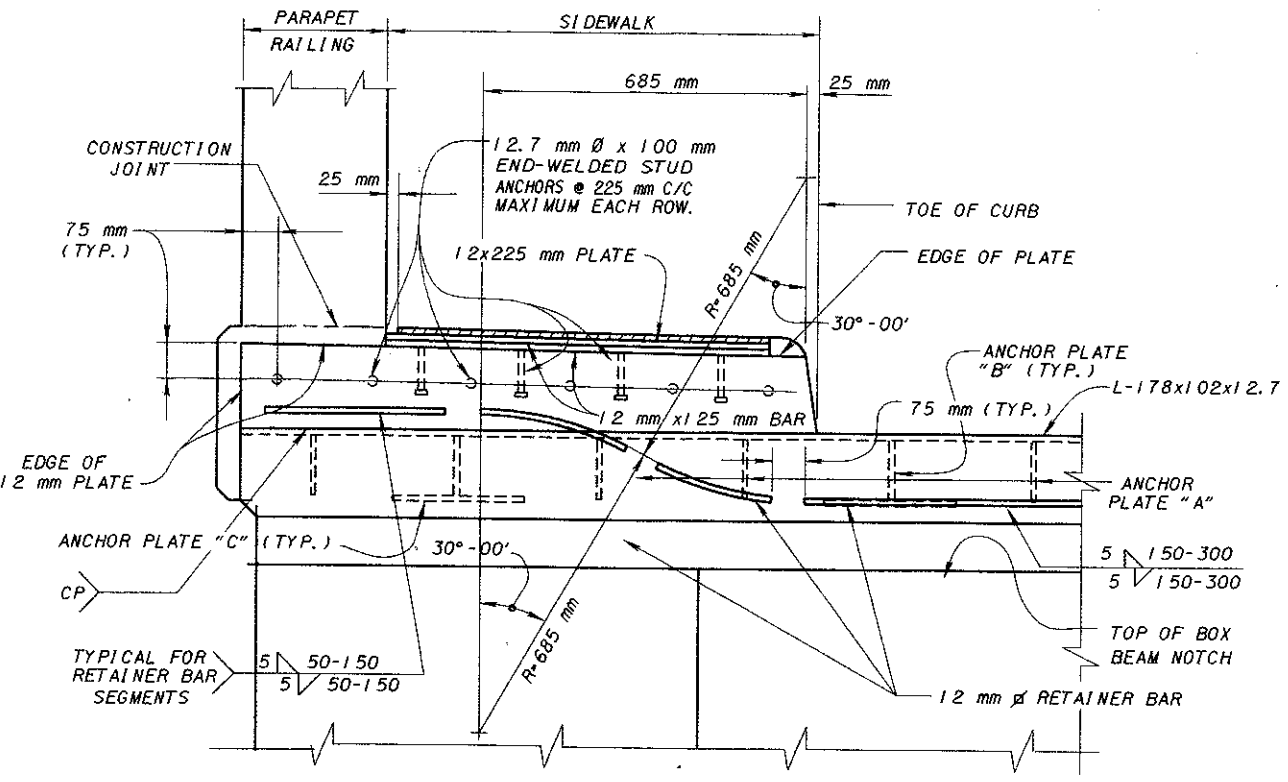


SECTION D-D
SEE SECTION E-E FOR OTHER DETAILS NOT SHOWN



COMPRESSION SEAL DETAIL
D. S. BROWN'S CV4000, WATSON-BOWMAN, ACME'S WJ400, OR AN APPROVED ALTERNATE.

SEE THE MANUFACTURER'S CATALOGUE FOR THE SEAL ACTUALLY CHOSEN FOR USE.

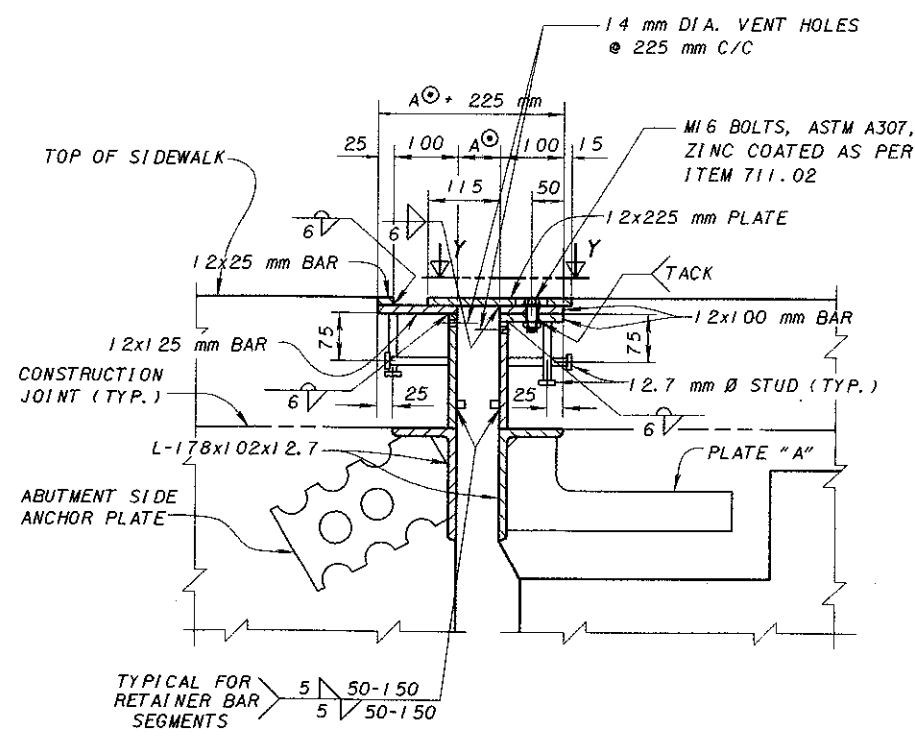


SECTION E-E
SEAL NOT SHOWN

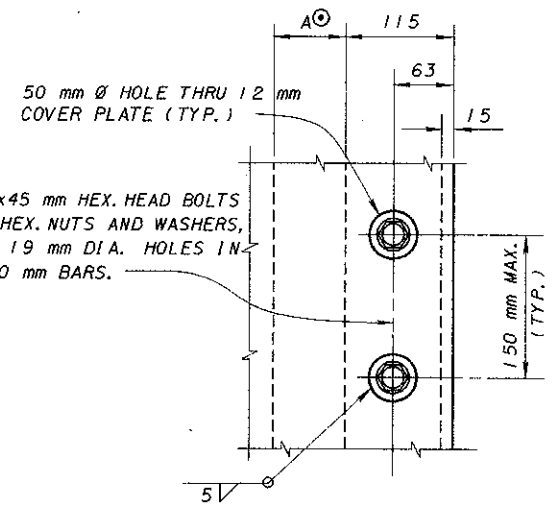
LEGEND:
R = RADIUS

SEE SHEET 1/4 FOR CONSTRUCTION PROCEDURE, SECTION A-A AND ADDITIONAL DETAILS.

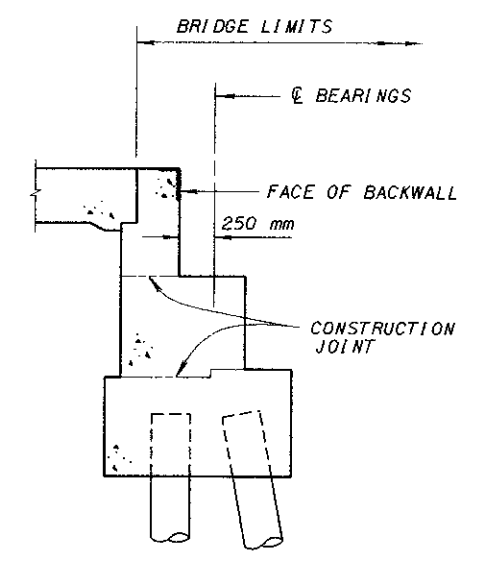
SEE SHEET 3/4 FOR GENERAL NOTES AND NOTES TO DESIGNER.



SECTION F-F



VIEW Y-Y



ABUTMENT TYPICAL SECTION

DESIGN AGENCY: BUREAU OF BRIDGES AND STRUCTURAL DESIGN
 STATE OF OHIO DEPARTMENT OF TRANSPORTATION
 REVIEWED: WTL/LMW
 CHECKED: JS/MPB
 DESIGNED: AJM/MPB
 REVISORS: 2-18-87
 STANDARD: COMPRESSION SEAL EXPANSION JOINTS AT ABUTMENTS FOR PRESTRESSED BOX BEAM STRUCTURES
 DATE: 3-20-95
 ENGINEER OF BRIDGES: Robert P. Engel
 DRAWN: AJM
 EX-J-3-82M
 2/4