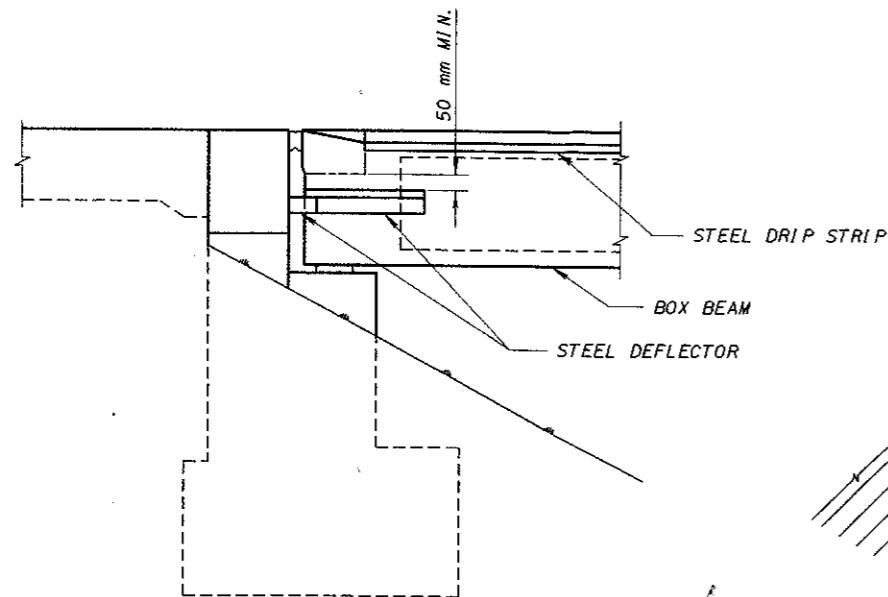
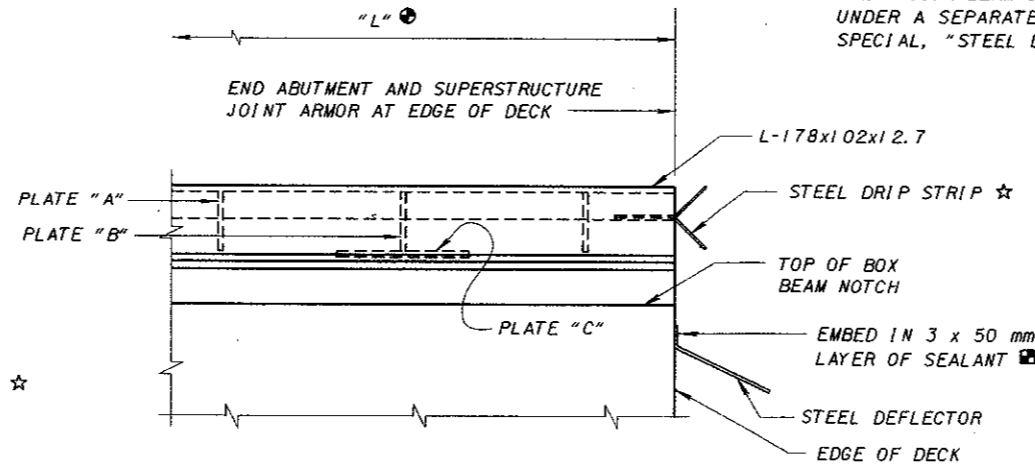


PART PLAN AT ABUTMENT
FOR FULL WIDTH STRUCTURES

(SEE SHEET 1/4 FOR SECTION A-A)



ELEVATION



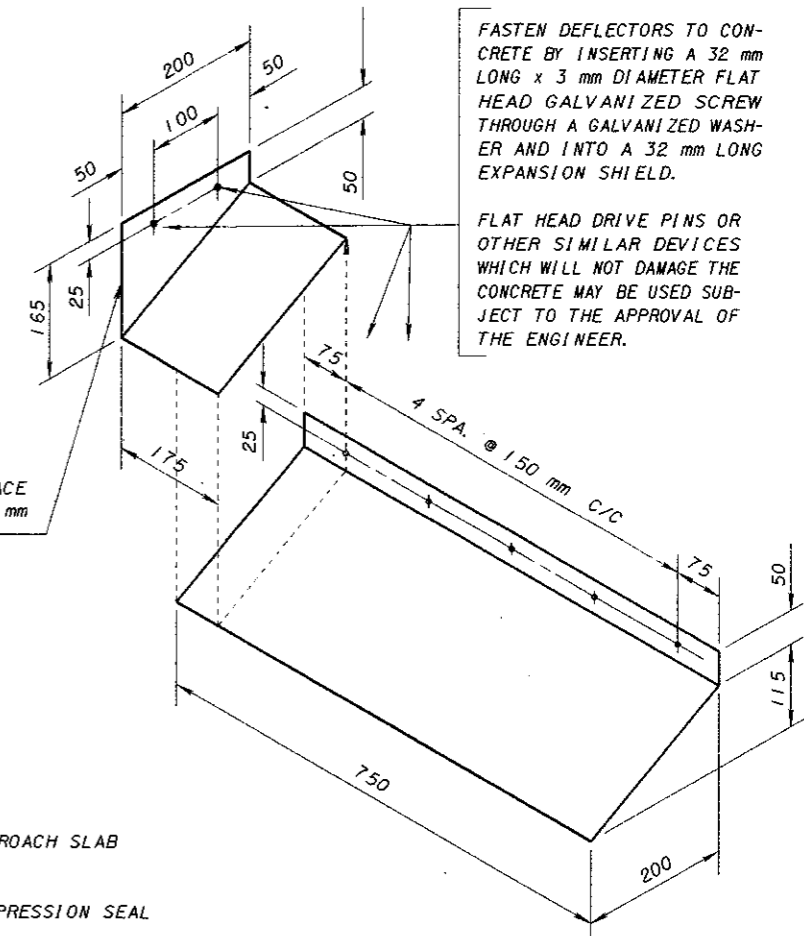
SECTION D-D

NOTES:

- ① JOINT ARMOR SHALL BE OF SUFFICIENT LENGTH TO ALLOW FOR FIT-UP OF BEAMS. SEE FORMULA FOR LENGTH "L".
- ② SEALANT SHALL MEET FEDERAL GOVERNMENT SPECIFICATION TT-S-0027E.

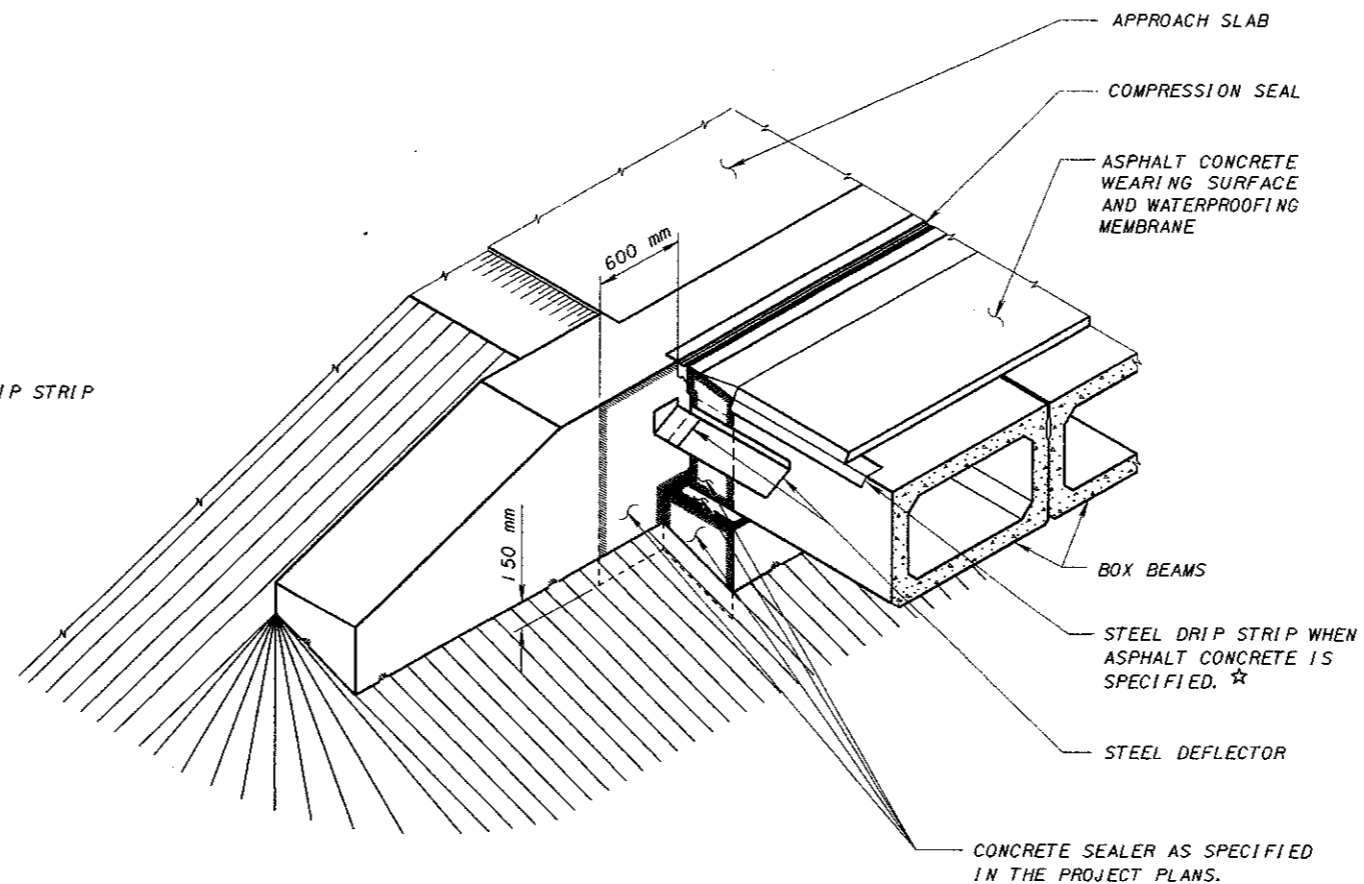
☆ THE STEEL DRIP STRIP ON THE EDGE OF THE FASCIA BEAM SHALL BE PAID FOR UNDER A SEPARATE PAY ITEM, ITEM SPECIAL, "STEEL DRIP STRIP".

③ EMBED ENTIRE SURFACE OF THIS PLANE IN 3 mm LAYER OF SEALANT.



DEFLECTOR DETAILS

DEFLECTORS SHALL BE MADE FROM 0.8 mm THICK STAINLESS STEEL MEETING THE REQUIREMENTS OF ASTM 167, TYPE 304, WITH A MILL FINISH.



CONCRETE PROTECTION AS DETAILED ON THIS SHEET (STAINLESS STEEL DEFLECTORS AT ABUTMENTS AND CONCRETE SEALER ON DESIGNATED SURFACES) SHALL BE PROVIDED IF CALLED FOR ON THE PROJECT PLANS AND SHALL BE INCLUDED WITH ITEM 516 FOR PAYMENT. IN THIS CASE THE PAY ITEM SHALL BE "STRUCTURAL EXPANSION JOINTS INCLUDING ELASTOMERIC COMPRESSION SEALS AND CONCRETE PROTECTION".