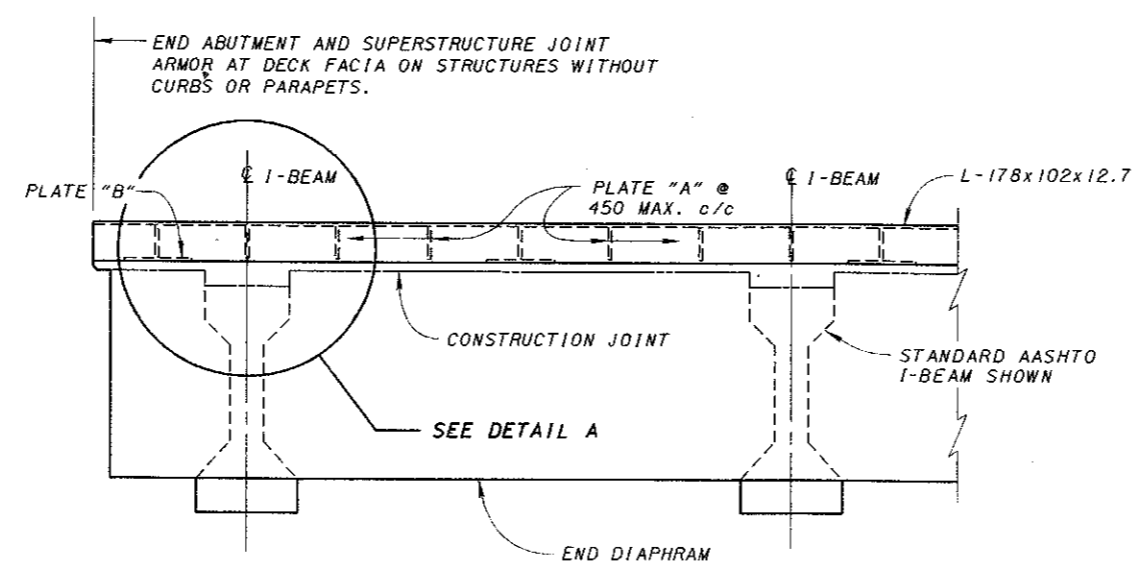
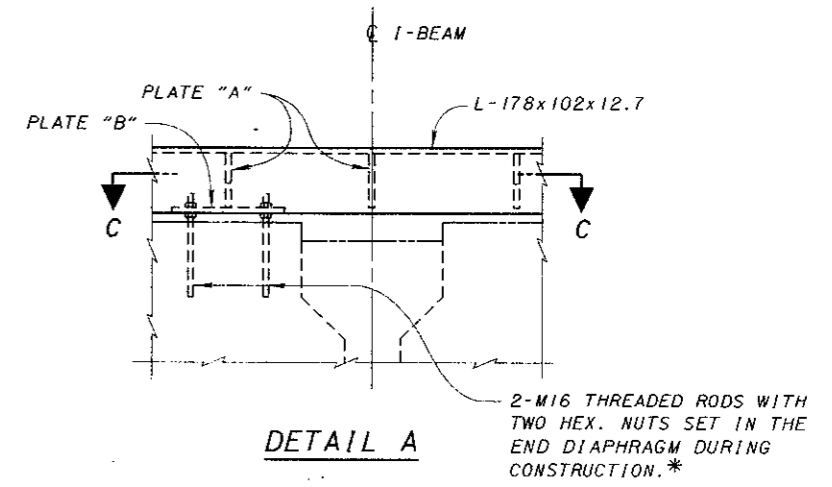


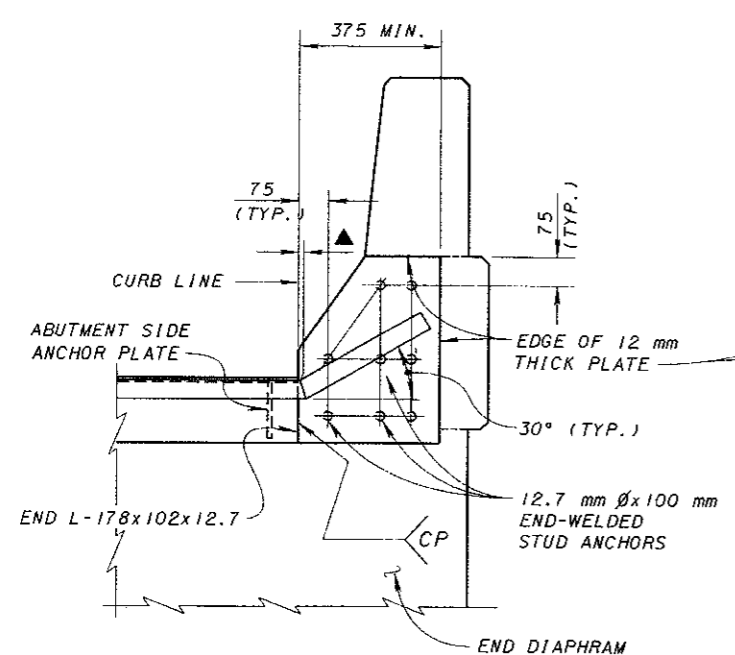
PART PLAN AT ABUTMENT
FOR SQUARE OR LOW SKEWED (15° OR LESS)
BRIDGES WITH DEFLECTOR PARAPET RAILING



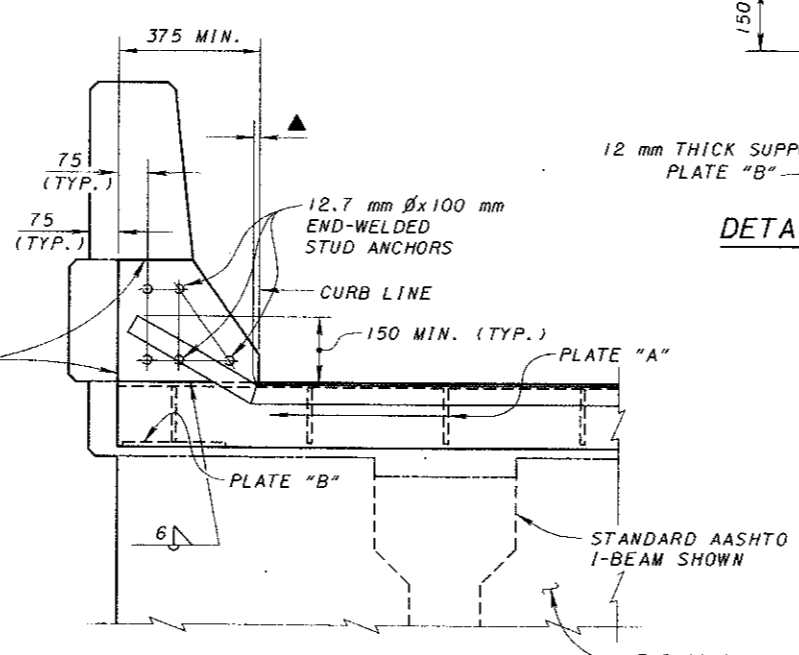
END OF SUPERSTRUCTURE
(SIMILAR TO SECTION B-B)



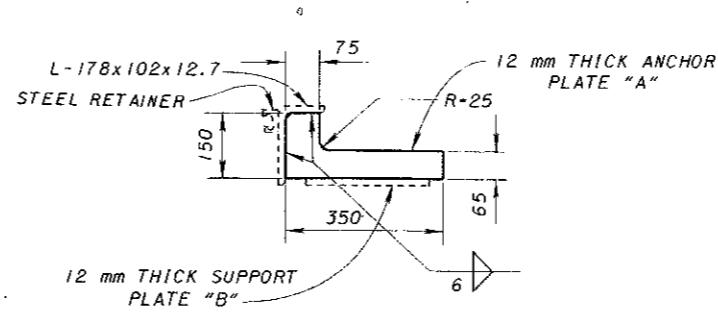
* - COIL INSERTS MAY BE USED, AS APPROVED BY THE DIRECTOR, INSTEAD OF DIRECTLY EMBEDDING THE THREADED RODS INTO THE END DIAPHRAM. IN EITHER CASE, THE RODS AND NUTS SHALL BE A36M OR A307M STEEL, GALVANIZED AS PER 711.02.



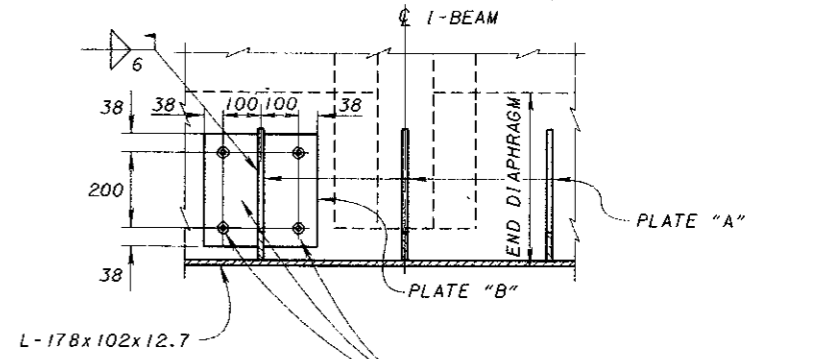
SECTION A-A



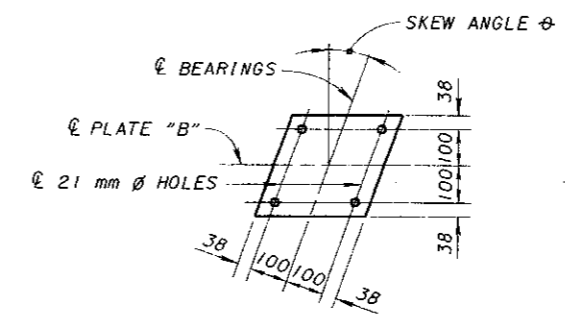
SECTION B-B



DETAIL OF PLATE "A"



SECTION C-C



PLAN OF PLATE "B"

NOTES:
FOR SECTION X-X SEE SHEET 2 / 5

▲ - 0 MIN. TO 13 mm MAX. AT BREAKPOINT IN RETAINER FOR SQUARE BRIDGES. ON SKEWED BRIDGES THIS DIMENSION WILL ONLY APPLY TO THE SIDE OF JOINT ASSEMBLY WHICH IS NEAREST TO THE CURB LINE. (SEE SHEET 2 / 5).