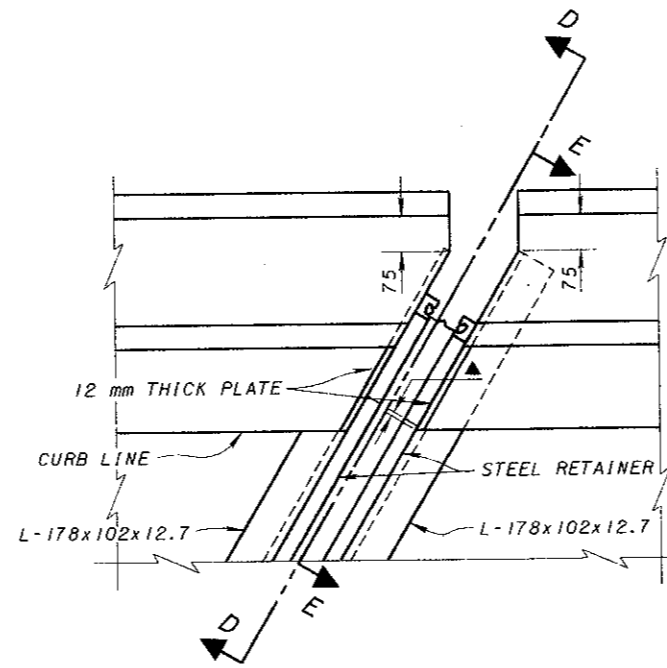


PLAN AT ABUTMENT
FOR SKEWED BRIDGES (OVER 15°)
WITH DEFLECTOR PARAPET RAILING



DETAIL B

DESIGN NOTES:

JOINTS IN END DAM ARMOR: TRANSVERSE JOINTS IN ARMOR SHALL HAVE COMPLETE PENETRATION BUTT WELDS. BUTT WELDS IN CONTACT WITH THE STEEL RETAINERS SHALL BE GROUND FLUSH.

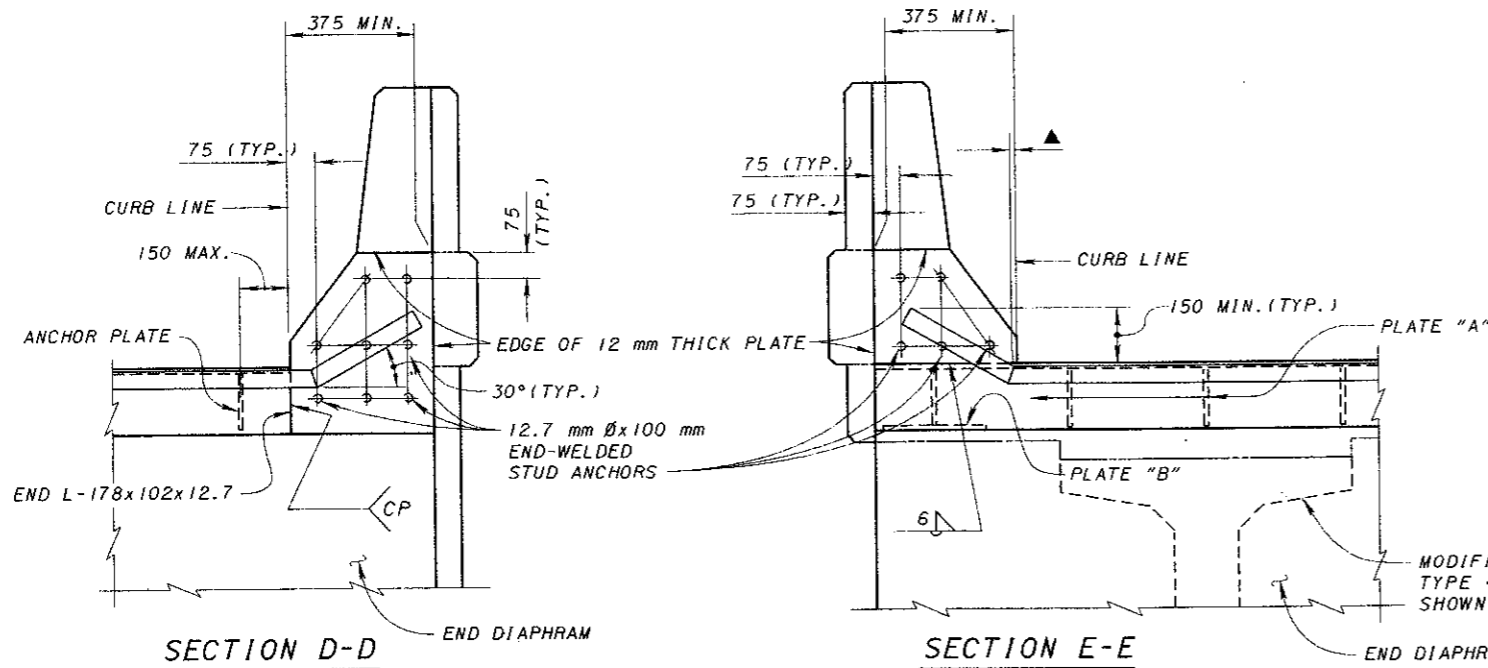
THE MINIMUM LENGTH OF RETAINER SHALL BE 1800 mm BETWEEN JOINTS UNLESS OTHERWISE SHOWN.

JOINTS IN RETAINERS SHALL HAVE WATERTIGHT, PARTIAL PENETRATION BUTT WELDS COMPLETELY AROUND THE OUTER PERIPHERY OF THE ABUTTING SURFACES. WELDS IN CONTACT WITH THE SEAL GLAND AND/OR JOINT ARMOR SHALL BE GROUND SMOOTH.

PROJECT PLANS SHALL LIST DIMENSION "A" FOR TEMPERATURES BETWEEN 0°C AND 35°C IN 5 DEGREE INCREMENTS.

JOINT SEAL GLANDS AT FIXED BEARINGS SHALL BE THE SAME SIZE AS THE EXPANSION BEARINGS WITH A DIMENSION "A" OF 50 mm AT ANY AMBIENT TEMPERATURE.

CONCRETE UNDER JOINT ARMOR SHALL BE HAND PLACED AND VIBRATED TO ACHIEVE SOLID FILLING.



▲ - 0 MIN. TO 13 mm MAX. AT BREAKPOINT IN RETAINER FOR SQUARE BRIDGES. ON SKEWED BRIDGES THIS DIMENSION WILL ONLY APPLY TO THE SIDE OF JOINT ASSEMBLY WHICH IS NEAREST TO THE CURB LINE (SEE DETAIL "B" ABOVE).

