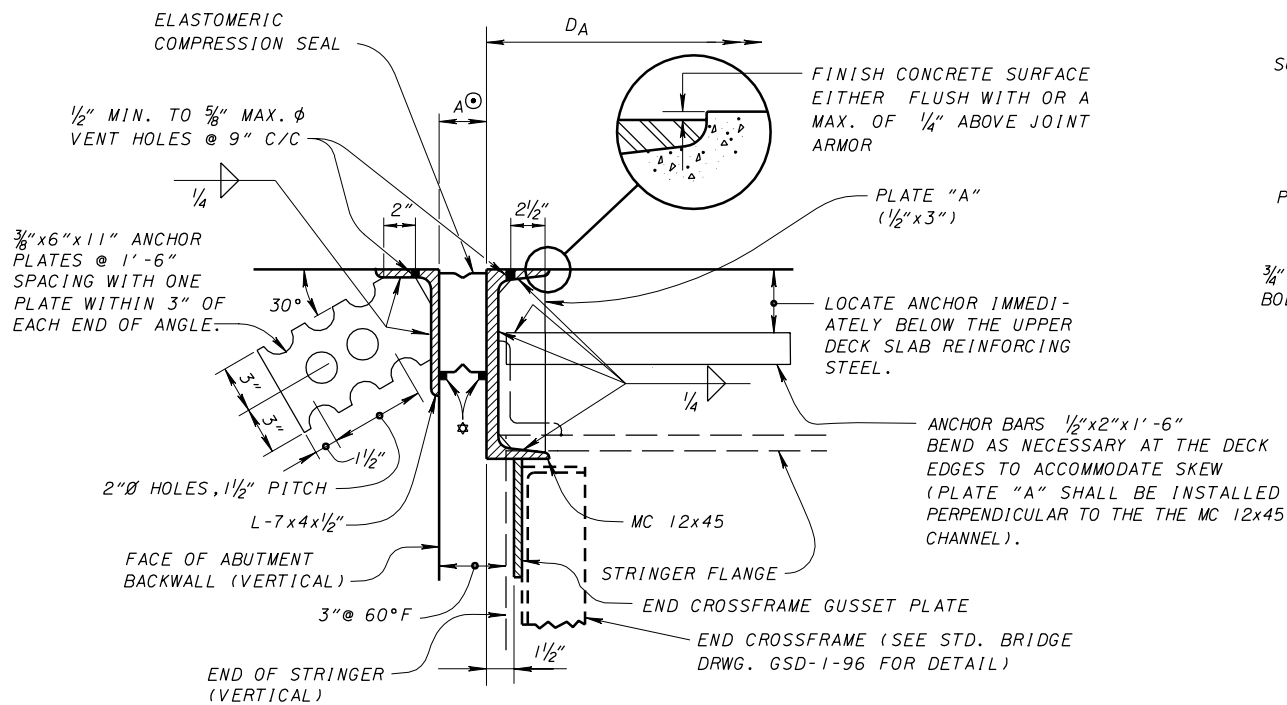


**PART PLAN AT ABUTMENT**

FOR BRIDGES WITH DEFLECTOR PARAPET RAILING  
(BR-1 RAILING SHOWN, SBR-1-99 SHALL BE SIMILAR)

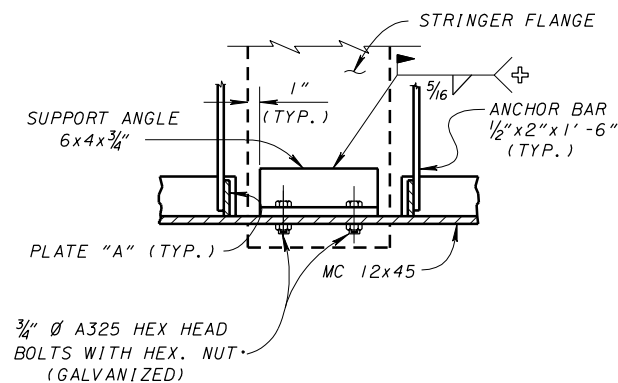


**SECTION C-C**

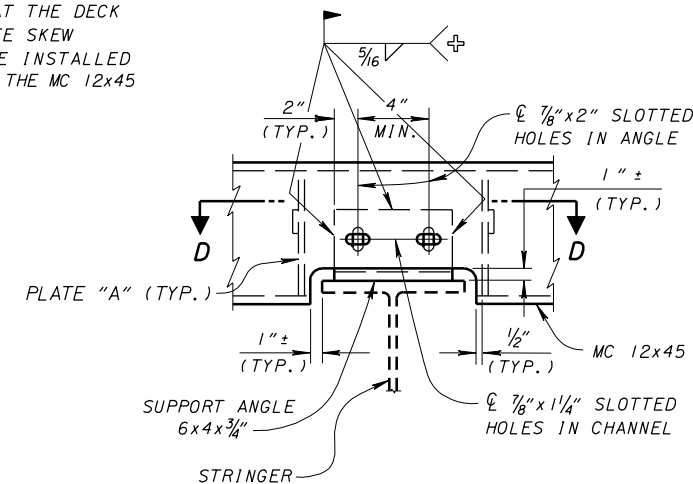
WITH ROADWAY GRADIENT OF 2% OR LESS SHOWN

NOTE: FOR DIMENSIONS A<sup>⊙</sup>, D<sub>A</sub>, ADDITIONAL NOTES AND DETAILS SEE SHEETS 2/3 AND 3/3.

⊙ - 1/2" RETAINER BAR

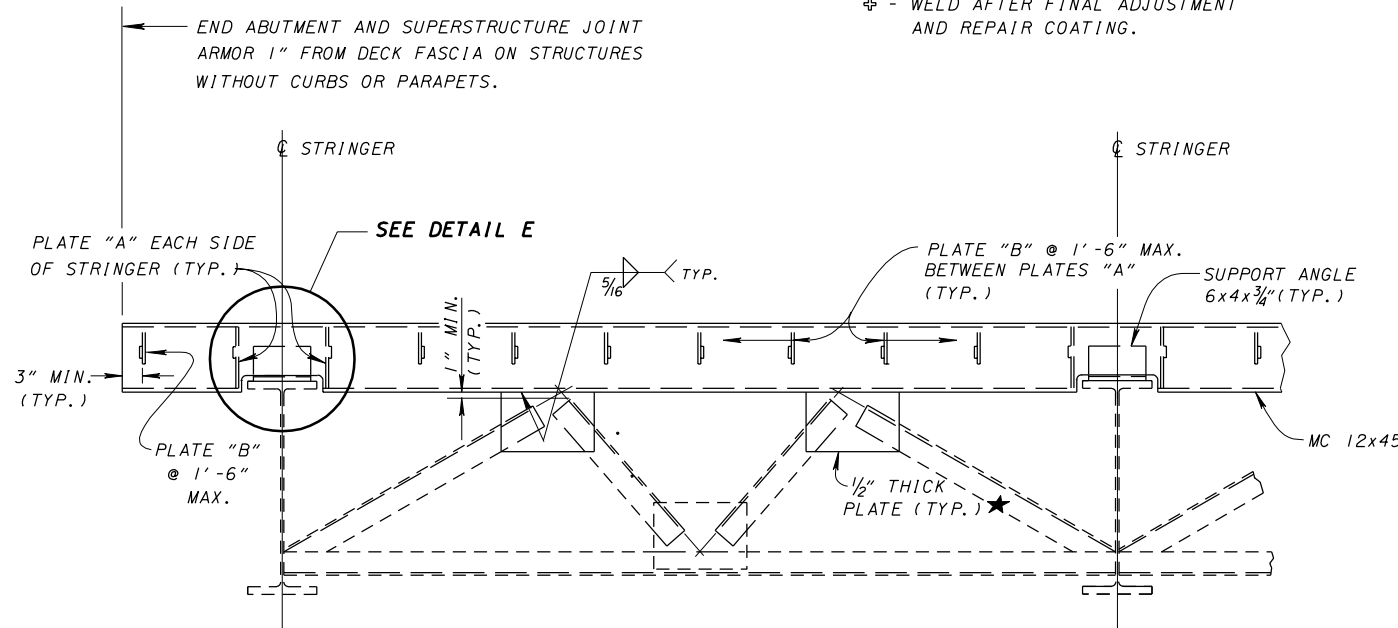


**SECTION D-D**



**DETAIL E**

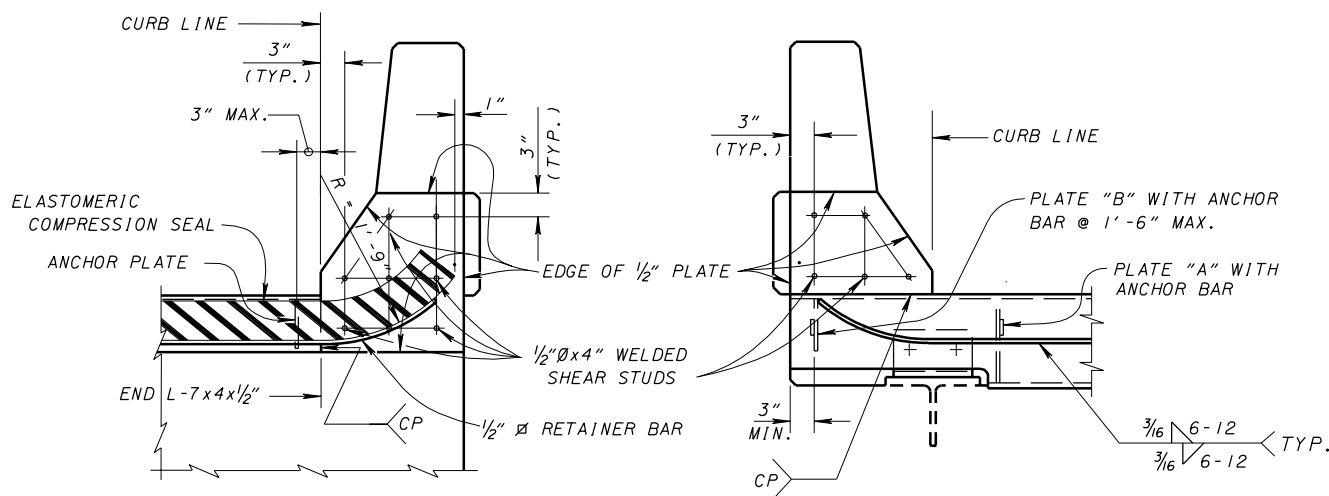
⊕ - WELD AFTER FINAL ADJUSTMENT AND REPAIR COATING.



**PART TRANSVERSE SECTION**

SEE STANDARD BRIDGE DRAWING GSD-1-96 FOR DETAILS OF END CROSSFRAMES AND GUSSET PLATES. SEE SECTION G-G ON SHEET 2/3 FOR PLATE B DETAILS.

★ INCLUDED WITH EXPANSION JOINT FOR COATING & PAYMENT.



**SECTION A-A**

**SECTION B-B**

NOTE: SEAL NOT SHOWN

SEE SHEET 3/3 FOR GENERAL NOTES AND CONSTRUCTION PROCEDURES.

**LEGEND:**  
R = RADIUS