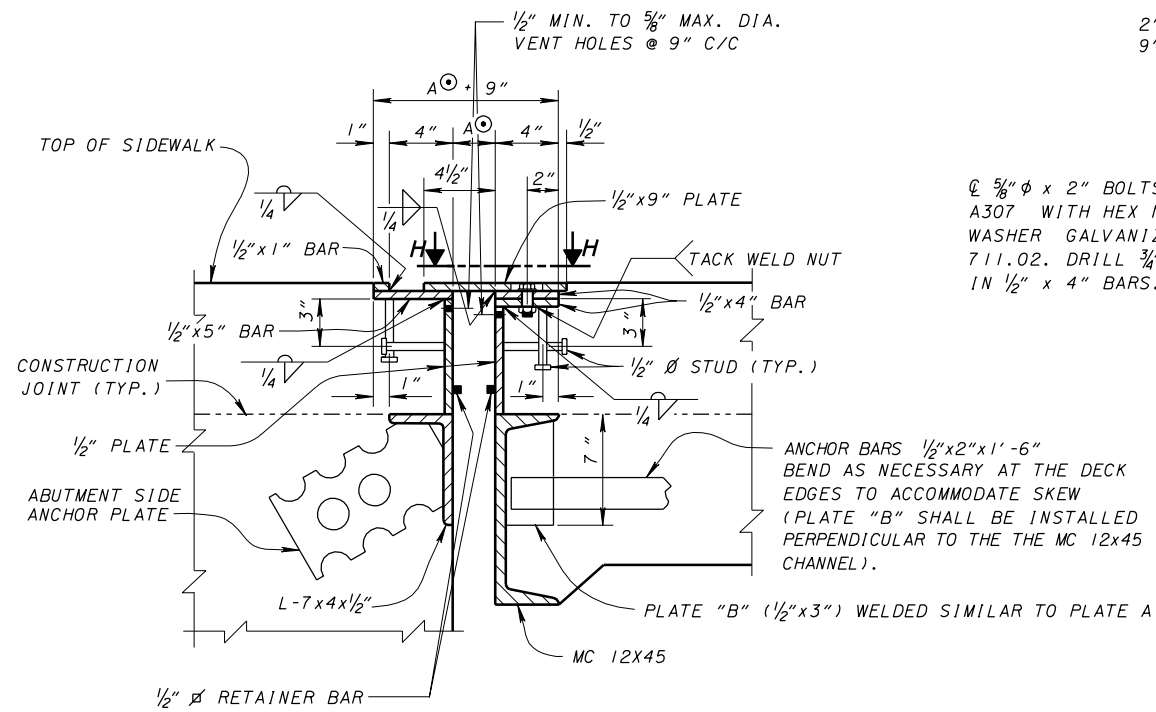
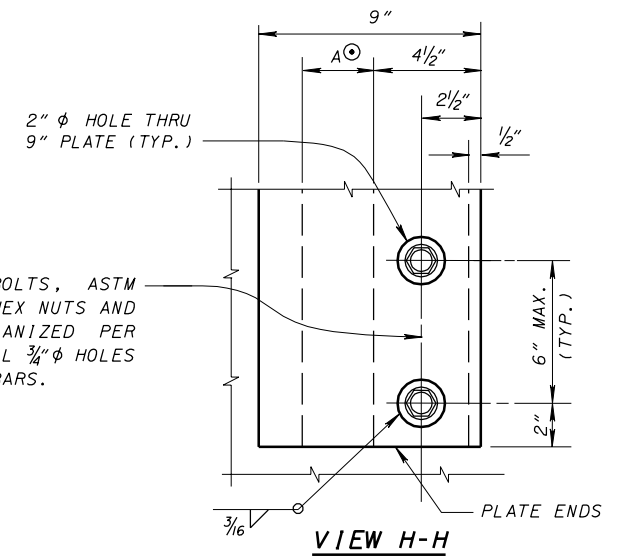


**PART PLAN AT ABUTMENT**  
FOR BRIDGES WITH SIDEWALK PARAPET RAILING

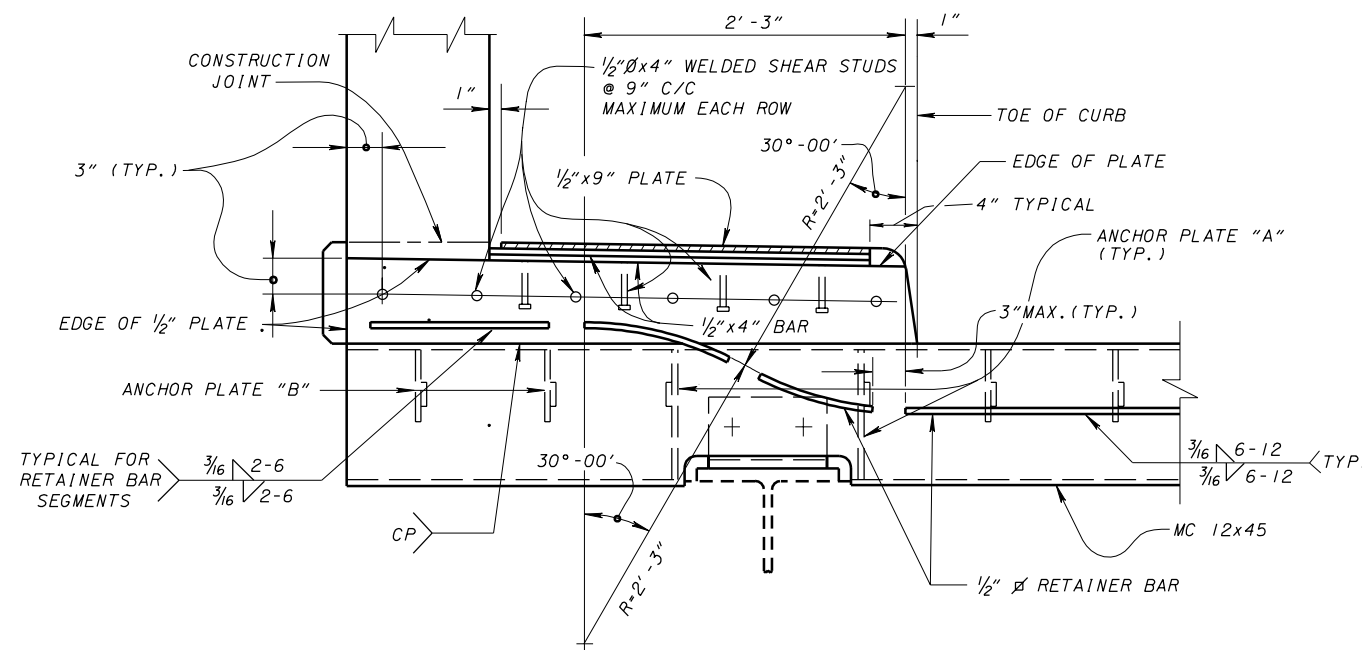


**SECTION G-G**

NOTE: FOR DIMENSIONS A<sup>⊙</sup>, D<sub>A</sub>, ADDITIONAL NOTES AND DETAILS SEE SHEETS 1/3 AND 3/3.



**VIEW H-H**

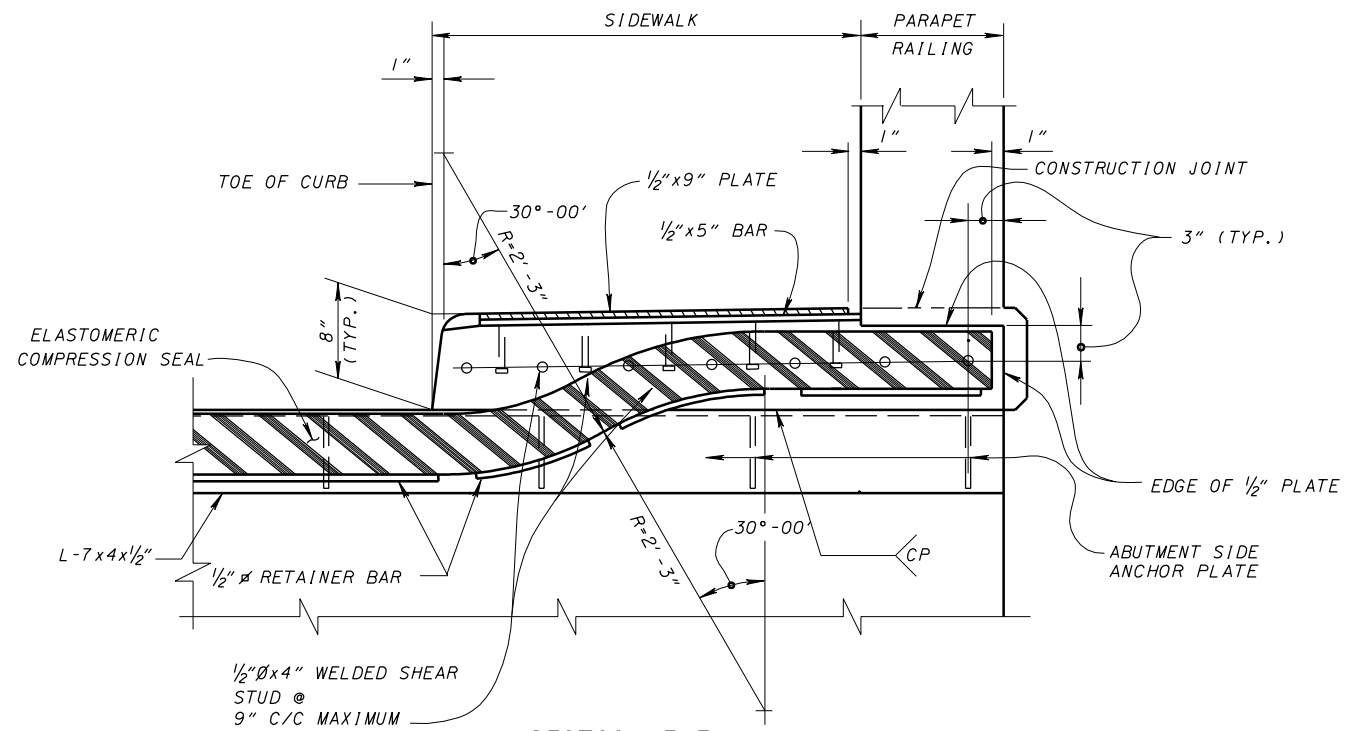


**SECTION E-E**  
SEAL NOT SHOWN

SEE SECTION F-F FOR OTHER DETAILS NOT SHOWN

**LEGEND:**  
R = RADIUS

FOR ADDITIONAL DETAILS, SEE DETAIL E ON SHEET 1/3.



**SECTION F-F**

SEE SECTION E-E FOR OTHER DETAILS NOT SHOWN

FOR SECTION C-C SEE SHEET 1/3.

SEE SHEET 3/3 FOR GENERAL NOTES AND FOR CONSTRUCTION PROCEDURES.