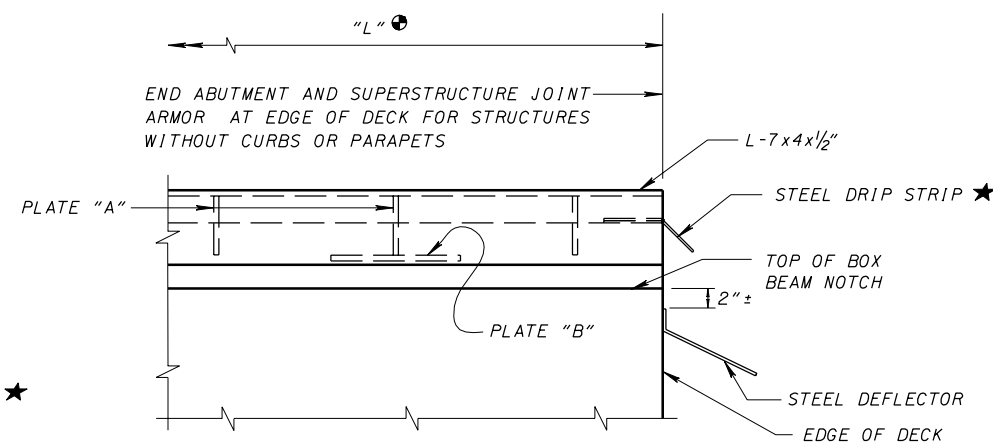


**PART PLAN AT ABUTMENT
FOR FULL WIDTH STRUCTURES**

(SEE SHEET 1 / 4 FOR SECTION C-C)



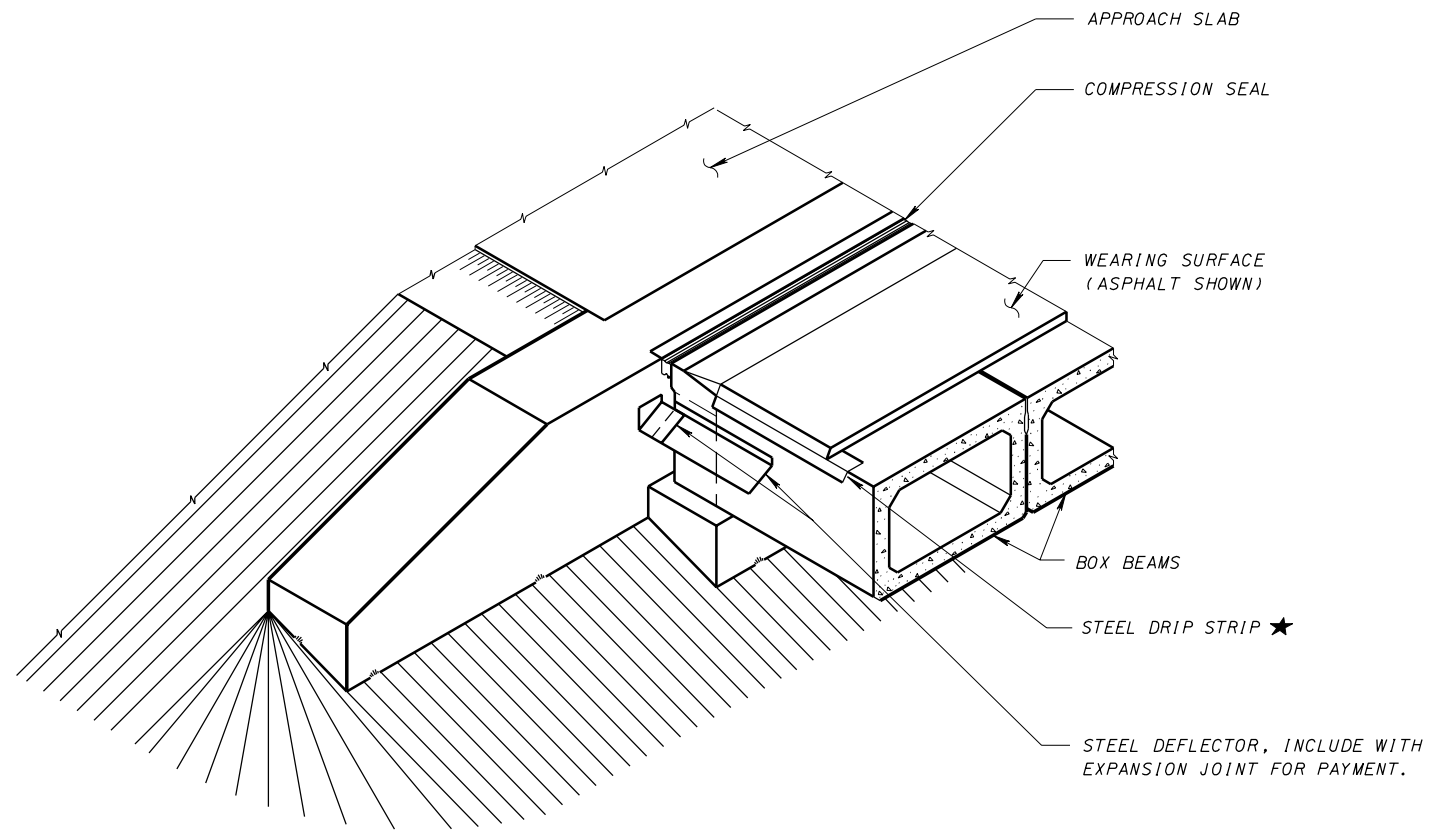
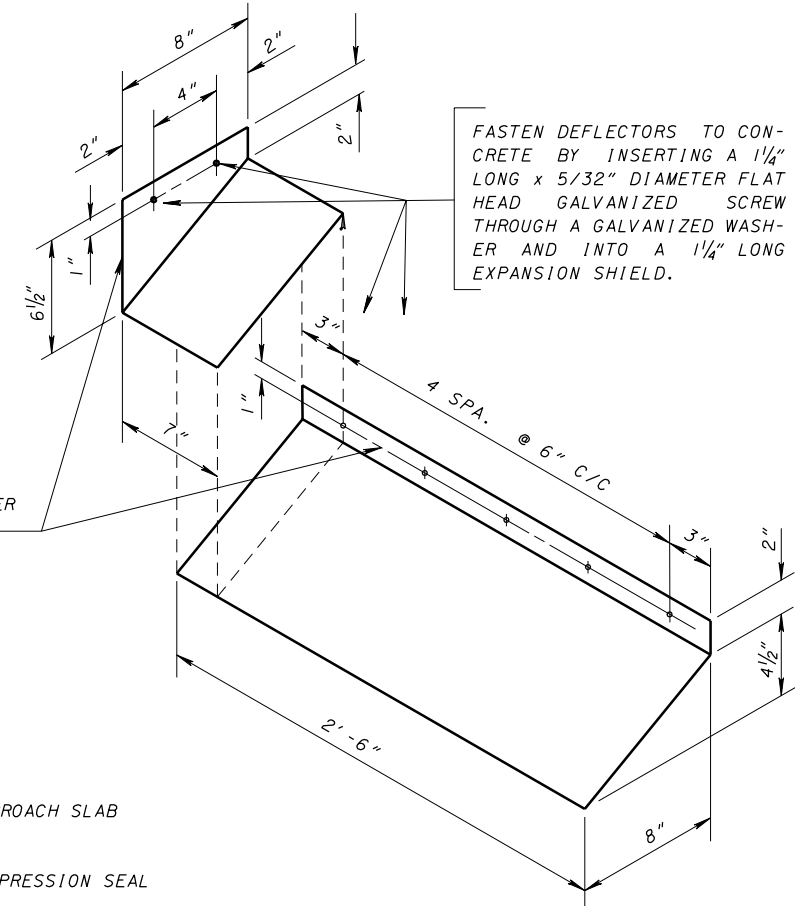
SECTION J-J

NOTES:

⊕ SEE SHEET 1 / 4 FOR DEFINITION OF DIMENSION "L".

▣ SEALANT SHALL MEET ASTM C920, TYPE S

★ SEE STEEL DRIP STRIP STANDARD BRIDGE DRAWING (NOT INCLUDED WITH EXPANSION JOINT FOR PAYMENT)



SEE SHEET 4 / 4 FOR NOTES AND PLATES A & B.

REVISIONS	DESIGNED	CHECKED	REVIEWED
8-1-84	RLD/AJM	J.S./MPB	WTL/RLD
2-14-97	DRWN		
04-20-01	AJM		
07-19-02			
			EXJ-3-82