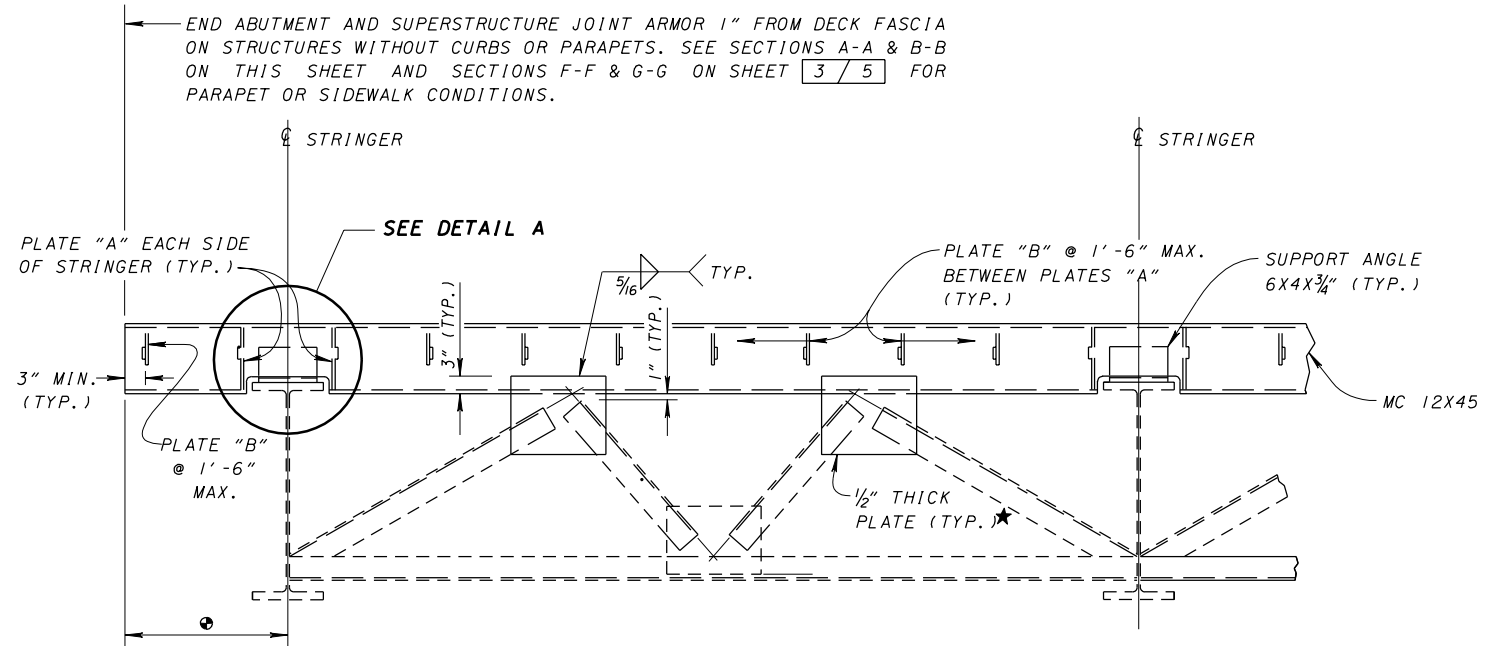


PART PLAN AT ABUTMENT

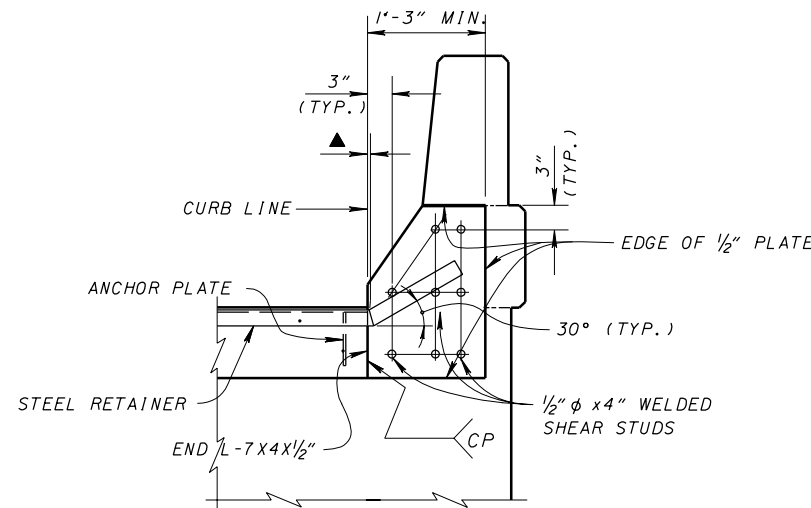
FOR SQUARE OR LOW SKEWED (15° OR LESS) BRIDGES WITH DEFLECTOR PARAPET RAILING
(BR-1 RAILING IS SHOWN, SBR-1-99 SHALL BE SIMILAR)



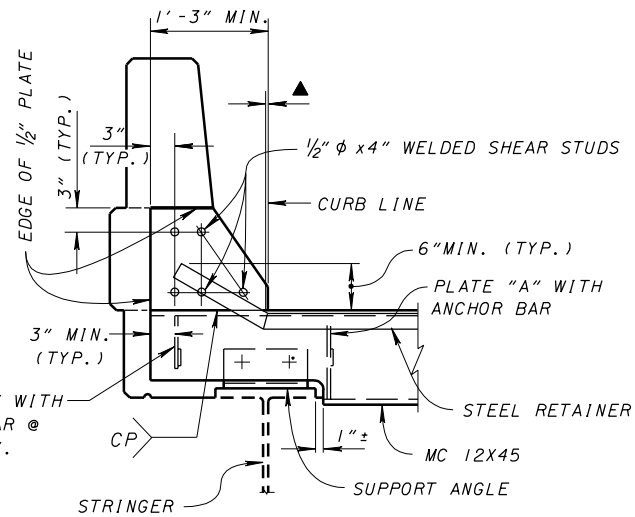
PART TRANSVERSE SECTION

SEE STD. BRIDGE DWG. GSD-1-96 FOR DETAILS OF END CROSSFRAMES AND GUSSET PLATES.

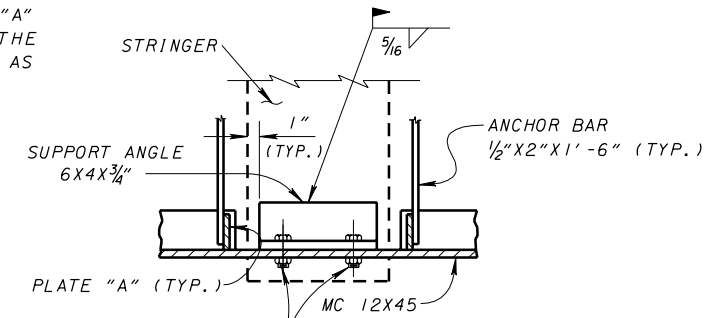
- ★ - INCLUDED WITH EXPANSION JOINT FOR COATING & PAYMENT.
- ⊙ - FOR CANTILEVERS LESS THAN 2'-6", PLATE "A" MAY BE OMITTED AND THE BOTTOM LEG OF THE CHANNEL MAY BE TRIMMED TO THE END AS SHOWN IN SECTION B-B.



SECTION A-A

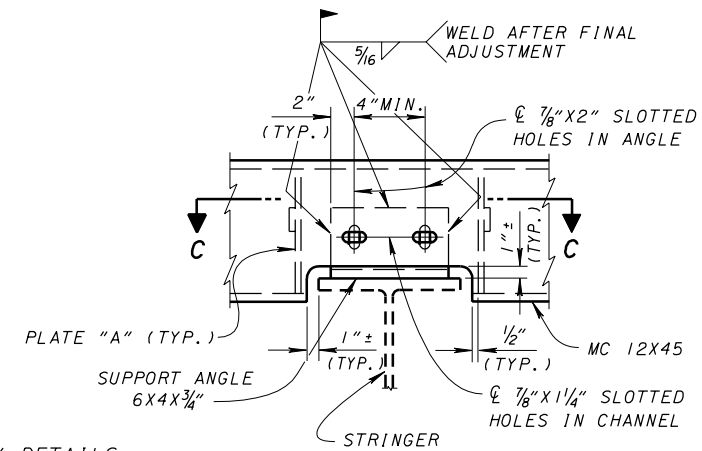


SECTION B-B



SECTION C-C

3/4" φ ASTM A325 TYPE I HEX HEAD BOLTS WITH HEX NUT



DETAIL A

▲ - 0" MIN. TO 1/2" MAX. AT BREAKPOINT IN RETAINER FOR SQUARE BRIDGES. ON SKEWED BRIDGES THIS DIMENSION WILL ONLY APPLY TO THE SIDE OF JOINT ASSEMBLY WHICH IS NEAREST TO THE CURB LINE (SEE SHEET 2/5).

SEE SHEET 2/5 FOR SECTION X-X INCLUDING PLATE "A" DETAILS
SEE SHEET 2/5 FOR SECTION Y-Y INCLUDING PLATE "B" DETAILS