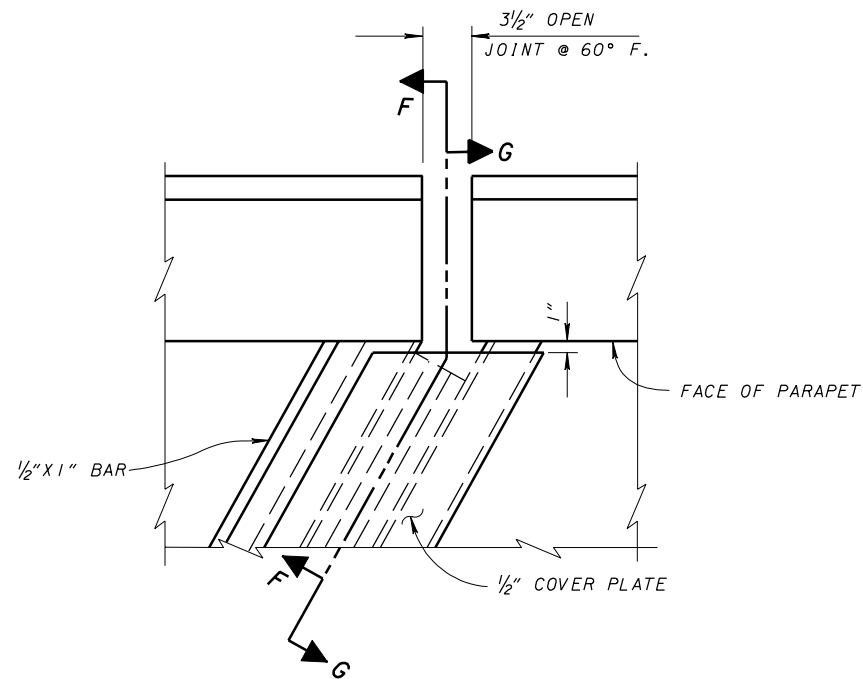
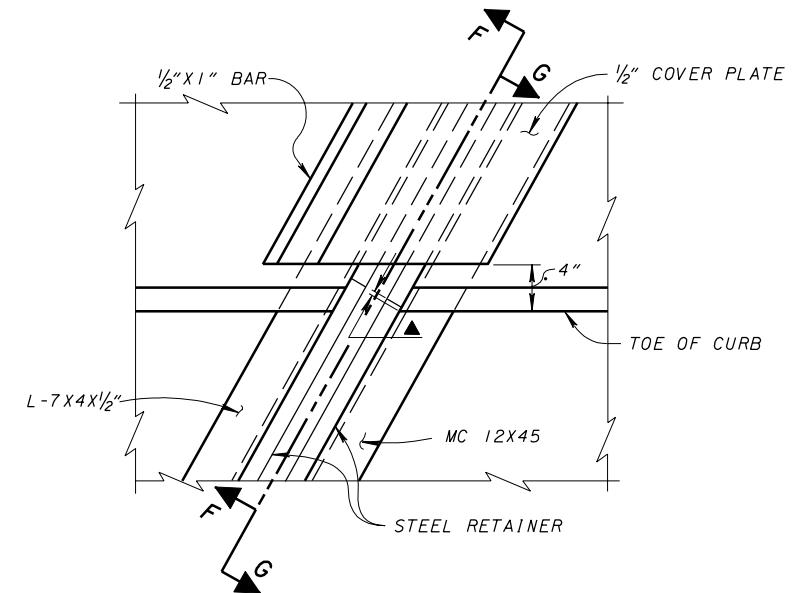


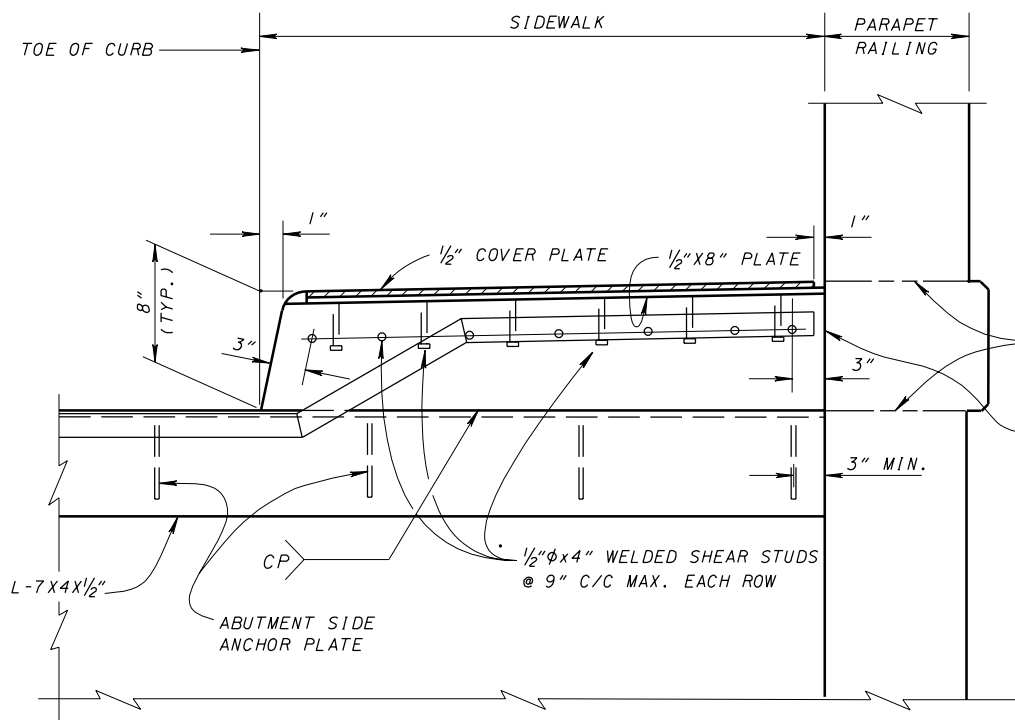
PART PLAN AT ABUTMENT
FOR BRIDGES WITH SIDEWALK
PARAPET RAILING



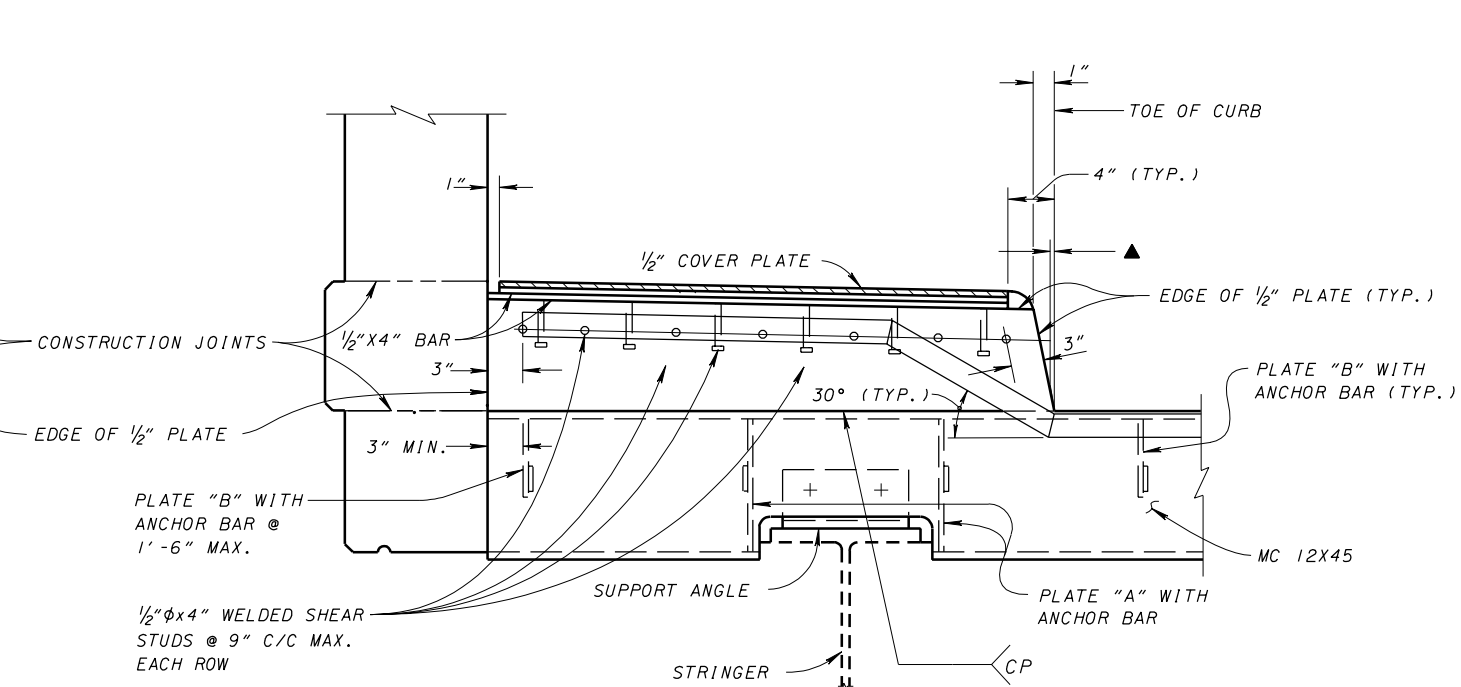
DETAIL C



DETAIL D



SECTION F-F



SECTION G-G

▲ - 0" MIN. TO 1/2" MAX. AT BREAKPOINT IN RETAINER FOR SQUARE BRIDGES. ON SKEWED BRIDGES THIS DIMENSION WILL ONLY APPLY TO THE SIDE OF JOINT ASSEMBLY WHICH IS NEAREST TO THE CURB LINE (SEE DETAIL "D" ABOVE).

FOR ADDITIONAL DETAILS, SEE DETAIL A ON SHEET 1/5.

FOR SECTION X-X SEE SHEET 2/5.

FOR SECTION Y-Y SEE SHEET 4/5.