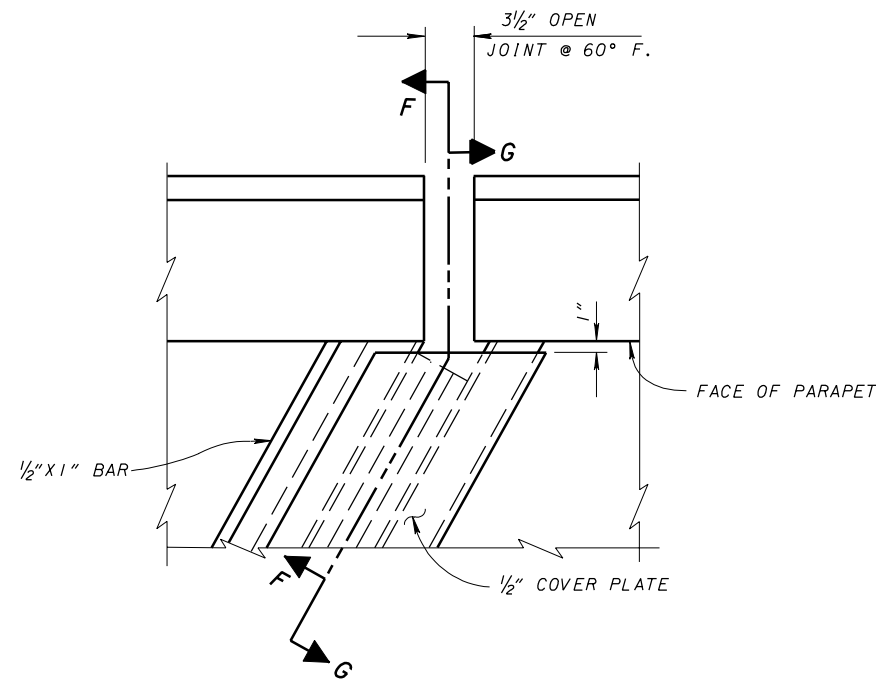
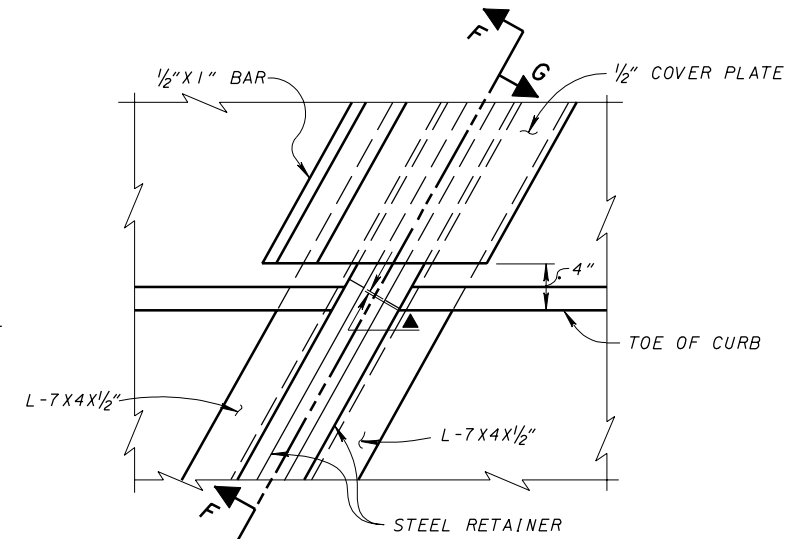


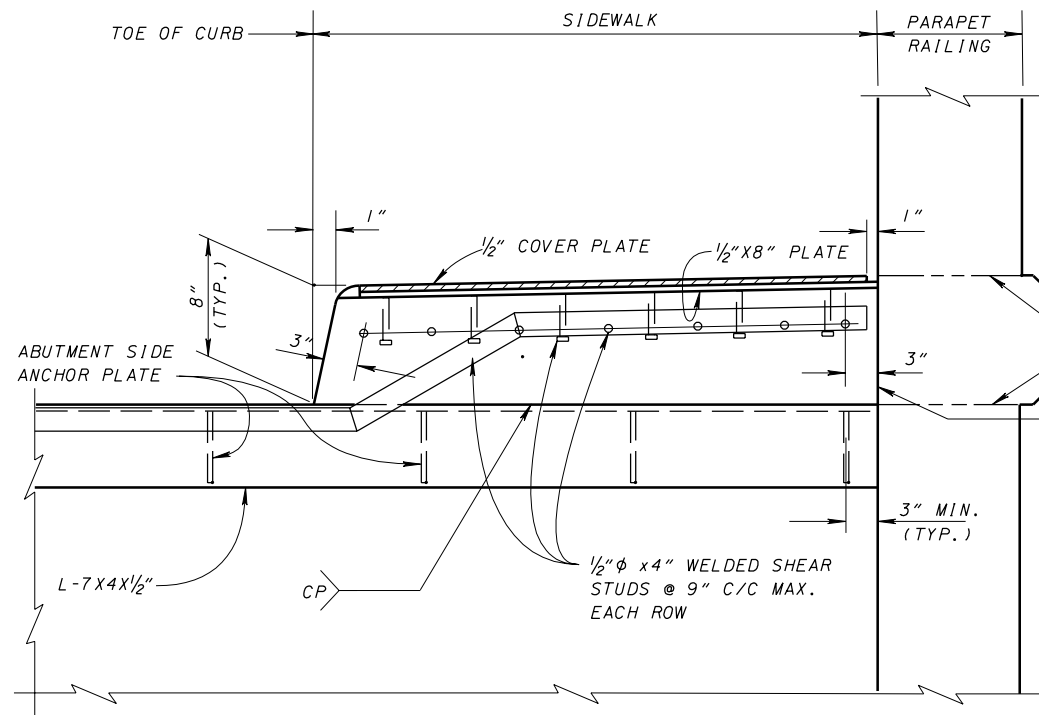
**PART PLAN AT ABUTMENT**  
FOR BRIDGES WITH SIDEWALK  
PARAPET RAILING



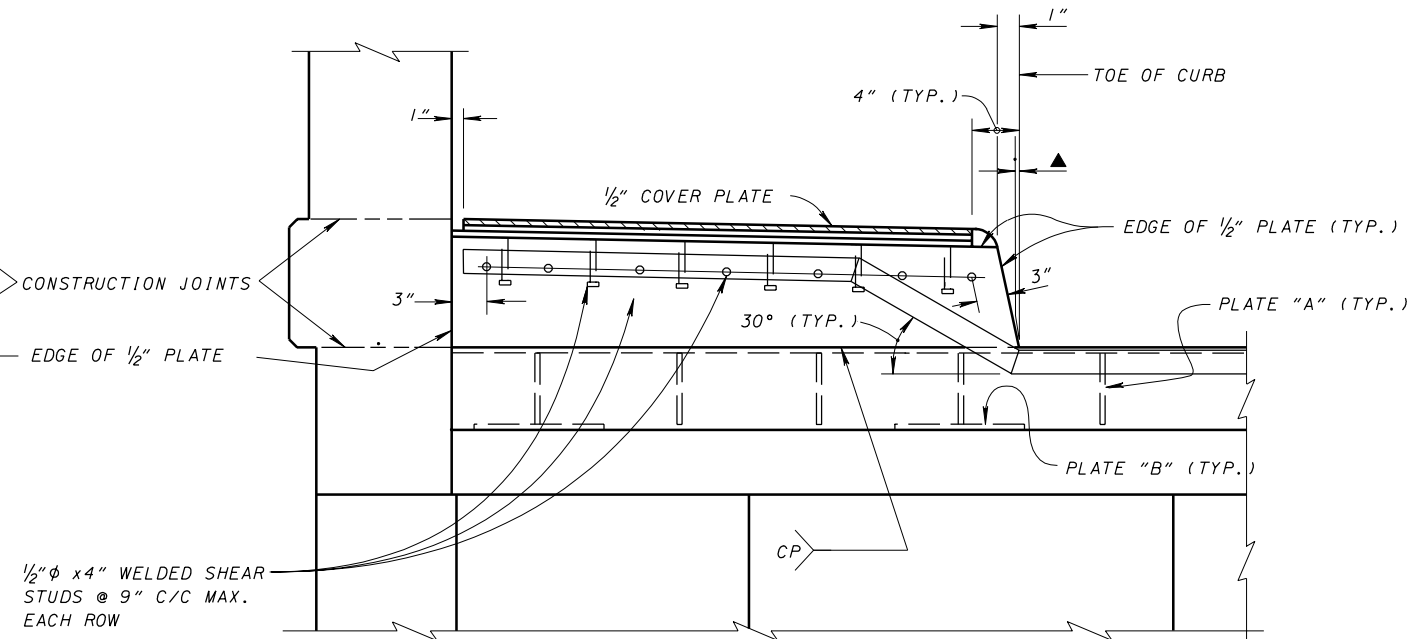
**DETAIL C**



**DETAIL D**



**SECTION F-F**



**SECTION G-G**

▲ - 0" MIN. TO 1/2" MAX. AT BREAKPOINT IN RETAINER FOR SQUARE BRIDGES. ON SKEWED BRIDGES THIS DIMENSION WILL ONLY APPLY TO THE SIDE OF JOINT ASSEMBLY WHICH IS NEAREST TO THE CURB LINE (SEE DETAIL "D" ABOVE).

FOR SECTION X-X SEE SHEET 2 / 5

FOR SECTION Y-Y SEE SHEET 4 / 5

DESIGN AGENCY	OFFICE OF		DATE
	STRUCTURAL ENGINEERING		
STATE OF OHIO DEPARTMENT OF TRANSPORTATION	REVIEWED	WTL/LMW	DATE
	CHECKED	JS	
ENGINEER OF BRIDGES	DESIGNED	AJM	DATE
	DRAWN	AJM	
REVISIONS	2-14-97	04-20-01	01-20-94
STANDARD	STRIP SEAL EXPANSION JOINTS		EXJ-5-93
	CONCRETE BOX BEAM STRUCTURES		
			3 / 5