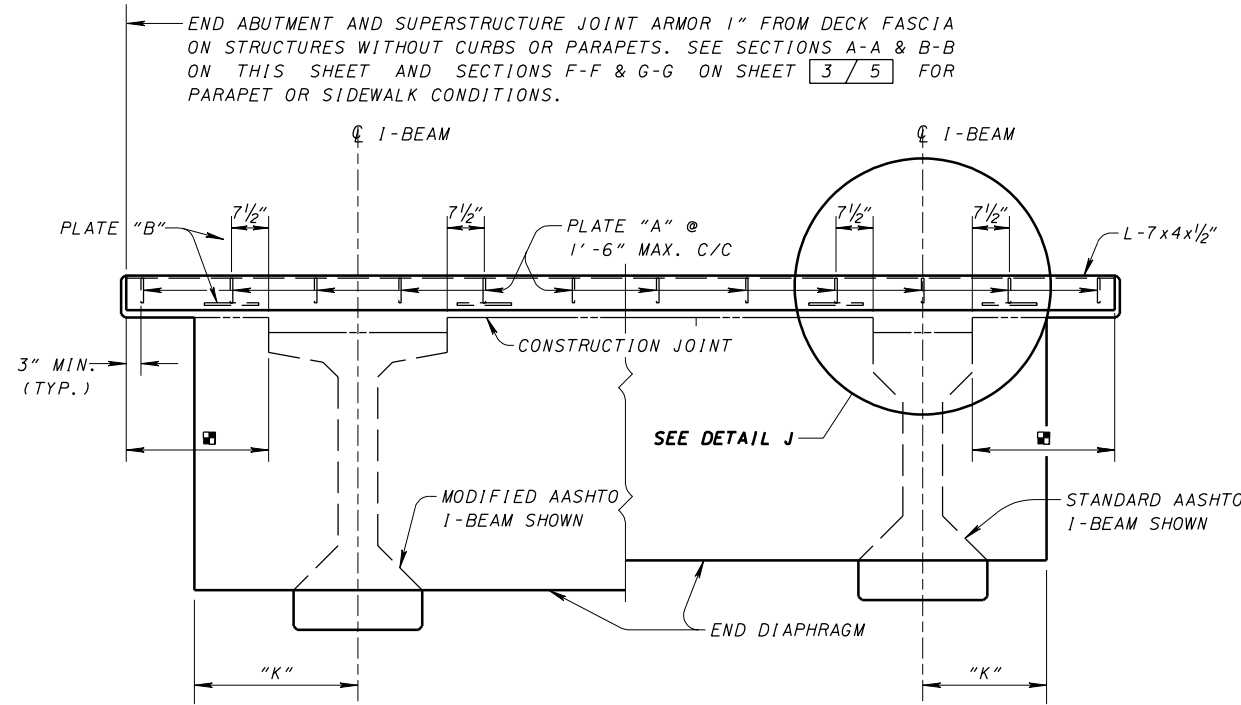


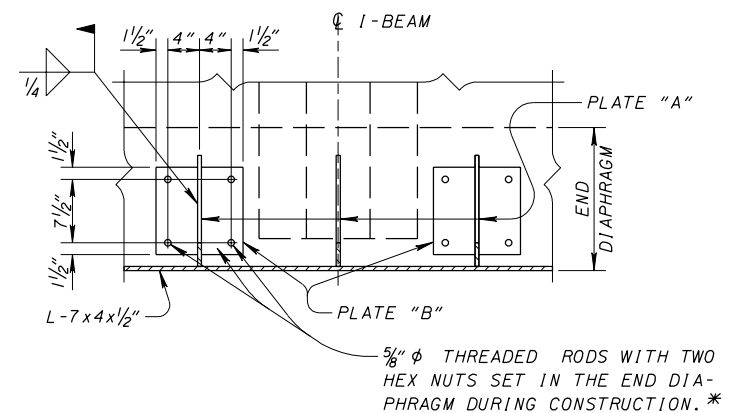
PART PLAN AT ABUTMENT
 FOR SQUARE OR LOW SKEWED (15° OR LESS)
 BRIDGES WITH DEFLECTOR PARAPET RAILING
 (BR-1 RAILING IS SHOWN, SBR-1-99 SHALL BE SIMILAR)

FOR SECTION X-X SEE SHEET **2 / 5**.

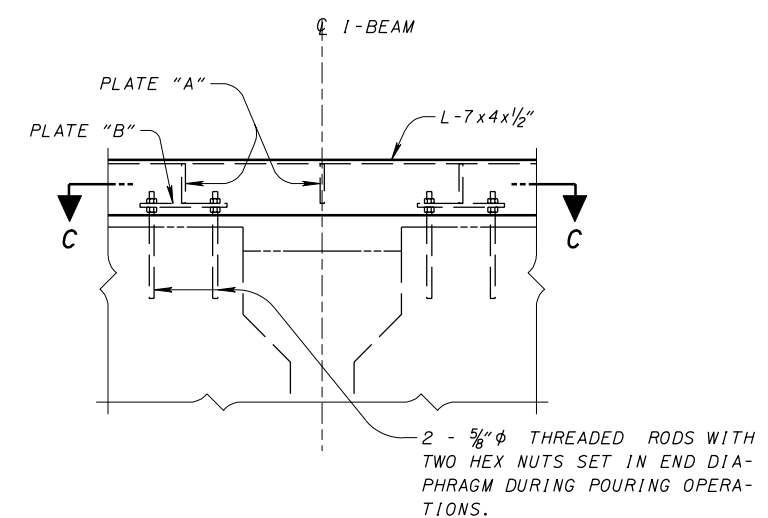


END OF SUPERSTRUCTURE
 WITHOUT CURBS OR PARAPETS

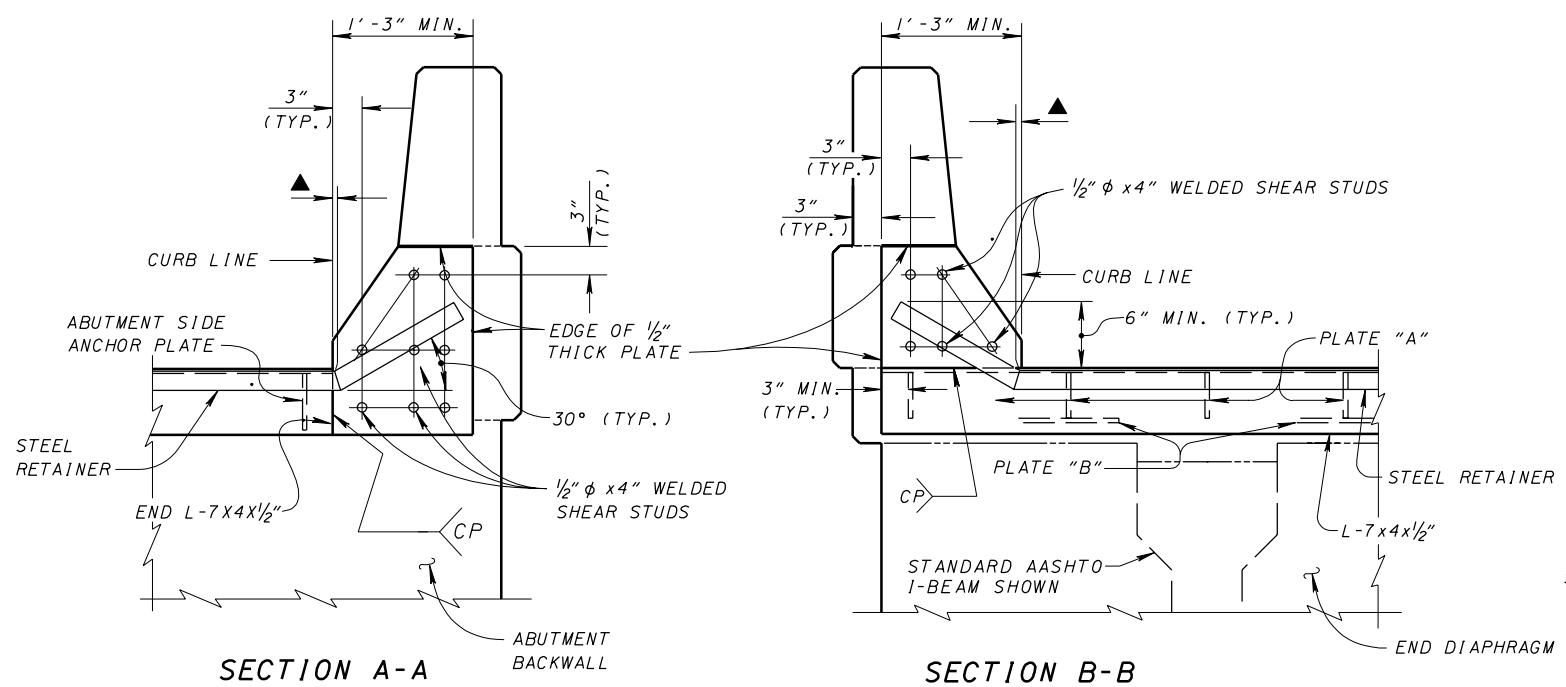
■ - THE SINGLE PLATE "A" AT THE ENDS OF THE L-7x4x1/2" ANGLE MAY BE OMITTED IF THE DIMENSION (■) SHOWN IS LESS THAN 1'-7 1/2".
 REFER TO STANDARD BRIDGE DRAWING PSID-1-99 SHEET **3 / 8** FOR DIMENSION "K".



SECTION C-C



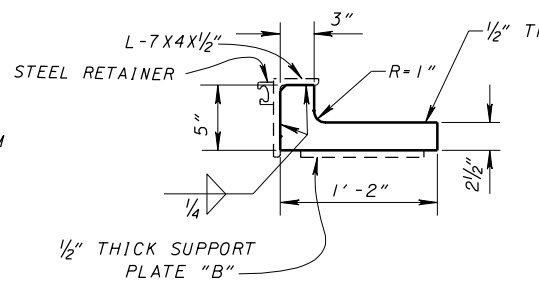
DETAIL J
 (TYPICAL FOR BOTH INTERIOR AND EXTERIOR BEAMS)
 SEE SECTION X-X ON SHEET **2 / 5** FOR ADDITIONAL DETAILS.



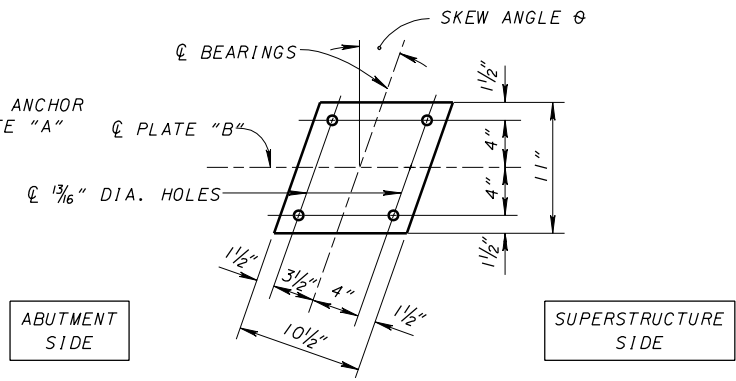
SECTION A-A

SECTION B-B

▲ - 0" MIN. TO 1/2" MAX. AT BREAKPOINT IN RETAINER FOR SQUARE BRIDGES. ON SKEWED BRIDGES THIS DIMENSION WILL ONLY APPLY TO THE SIDE OF JOINT ASSEMBLY WHICH IS NEAREST TO THE CURB LINE. (SEE SHEET **2 / 5**).



DETAIL OF PLATE "A"



DETAIL OF PLATE "B"

DESIGN AGENCY	OFFICE OF
STATE OF OHIO DEPARTMENT OF TRANSPORTATION	STRUCTURAL ENGINEERING
REVISIONS	DATE
3-18-97	10-18-95
04-20-01	
07-19-02	
DESIGNED	ADMINISTRATOR
AJM	<i>Richard J. Engler</i>
DRAWN	
AJM	
CHECKED	
JS	
REVIEWED	
WTL/LMW	
EXJ-6-95	
STANDARD	
STRIP SEAL EXPANSION JOINTS	
CONCRETE I-BEAM STRUCTURES	
1	5