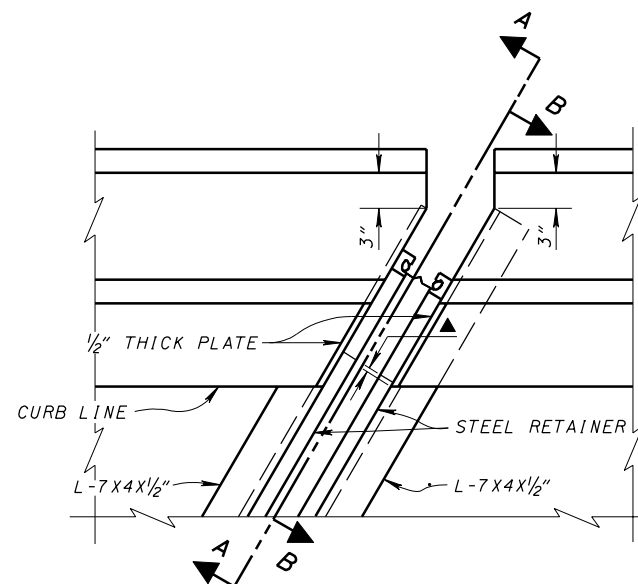
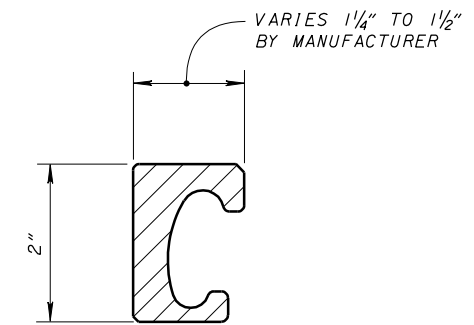


**PLAN AT ABUTMENT**  
**FOR SKEWED BRIDGES (OVER 15°)**  
**WITH DEFLECTOR PARAPET RAILING**  
 (BR-1 RAILING IS SHOWN, SBR-1-99 SHALL BE SIMILAR)

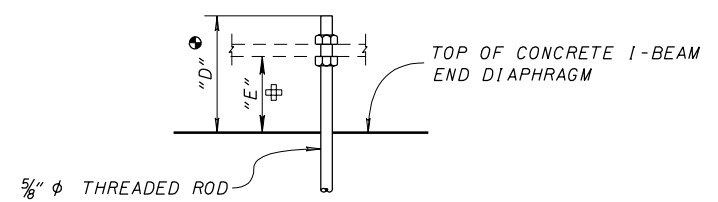


**DETAIL B**

SEE SHEET **1 / 5** FOR DEFINITION OF "▲", SECTION A-A AND SECTION B-B. SECTION A-A AND SECTION B-B ARE SIMILAR FOR SQUARE AND SKEWED BRIDGES EXCEPT FOR THE CONCRETE FORMING AT THE EDGE OF THE PARAPET.

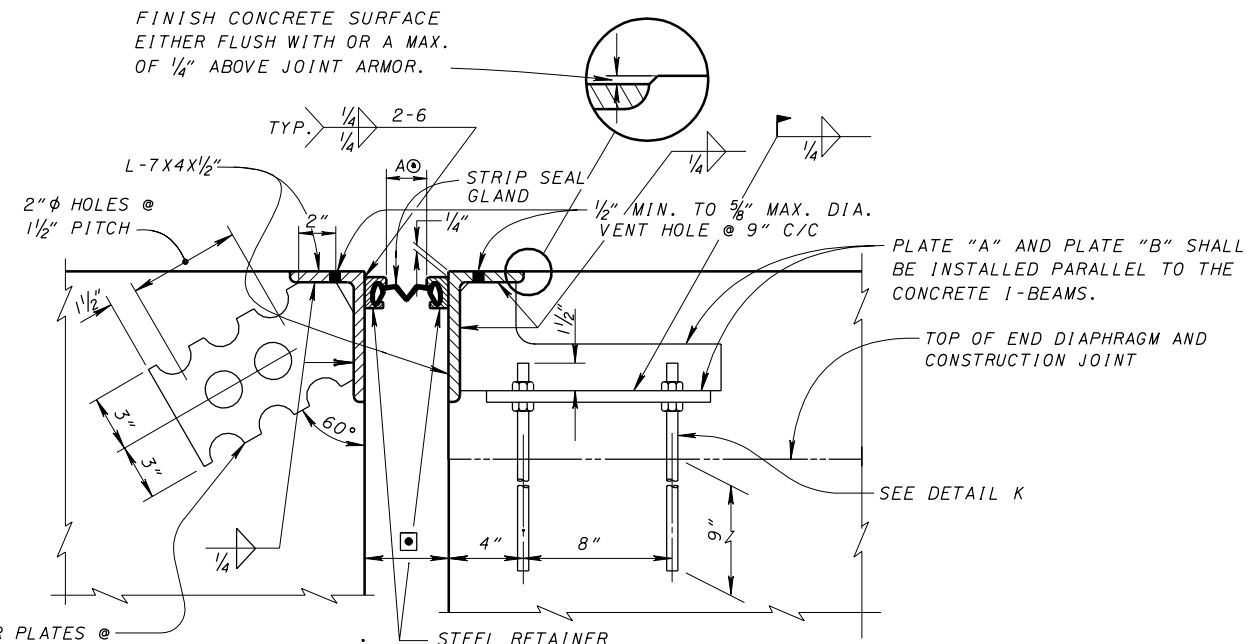


**RETAINER DETAIL**



**DETAIL K**

- ⊕ - DIMENSION "D" SHALL BE CALCULATED BY THE DESIGNER AND SHOWN ON PROJECT PLANS.
- ⊕ - IF DIMENSION "E" IS LESS THAN 3", A BED OF NON-SHRINK GROUT, CMS 705.22, SHALL BE PLACED AND COMPACTED UNDER EACH PLATE "B" AFTER FINAL VERTICAL ADJUSTMENT.



3/8"x6"x11" ANCHOR PLATES @ 1'-6" SPACING WITH ONE PLATE WITHIN 3" OF EACH END OF ANGLE

**SECTION X-X**

- ⊙ - DIMENSION "A" SHALL BE DETERMINED FROM TABLE "B", TABLE "C" OR TABLE "D" ON SHEET **4 / 5**.
- ⊠ - THIS DIMENSION IS THE SUM OF (2XSTEEL RETAINER WIDTH+DIM."A").