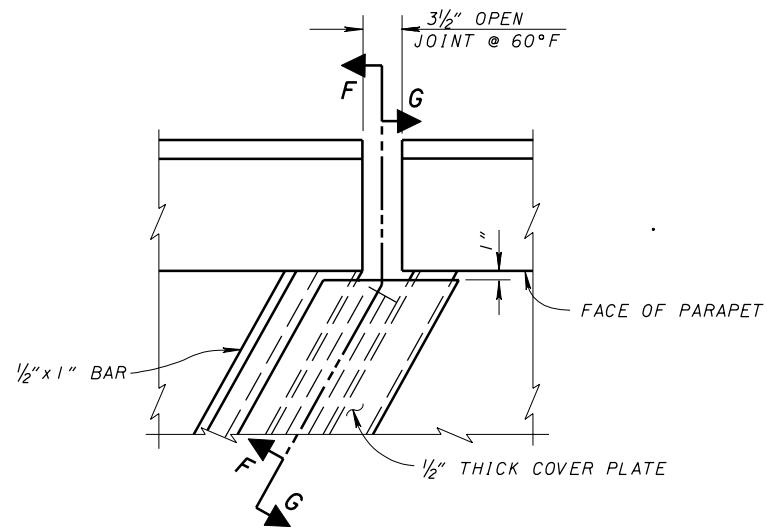
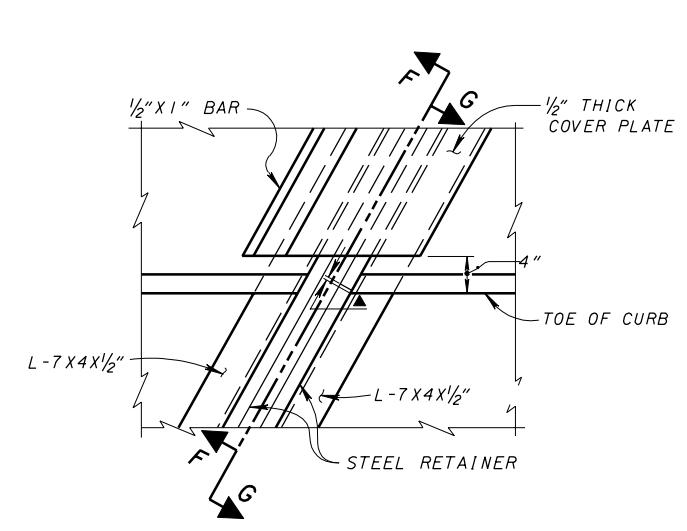


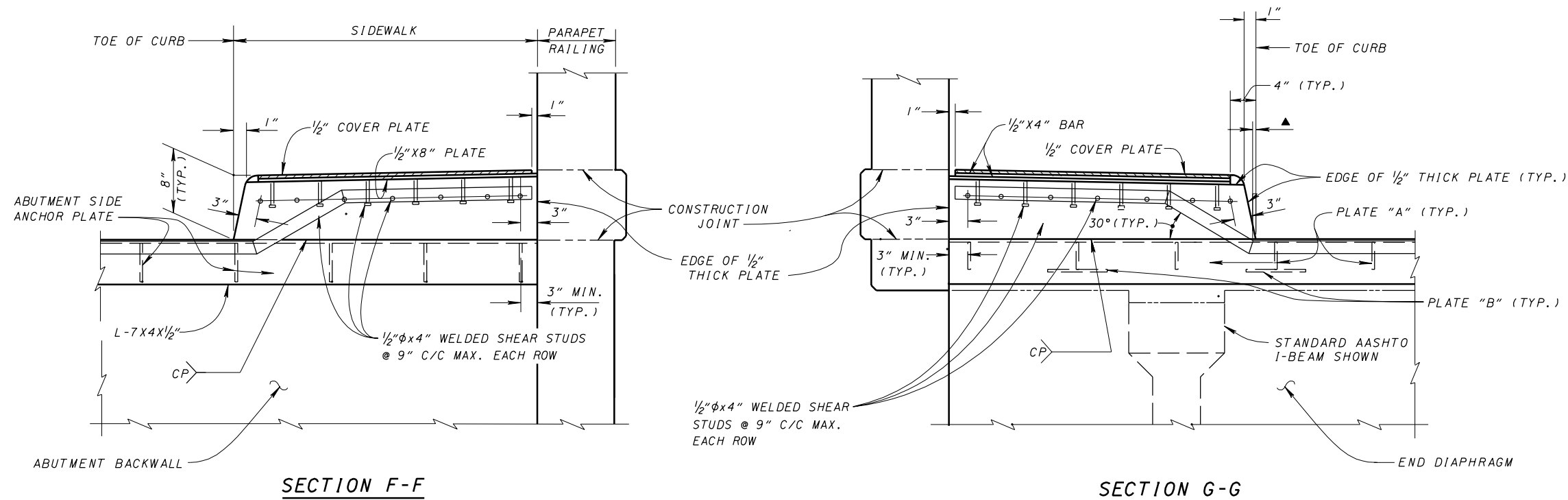
**PART PLAN AT ABUTMENT  
FOR BRIDGES WITH SIDEWALK  
PARAPET RAILING**



**DETAIL C**



**DETAIL D**



**SECTION F-F**

**SECTION G-G**

▲ - 0" MIN. TO 1/2" MAX. AT BREAKPOINT IN RETAINER FOR SQUARE BRIDGES. ON SKEWED BRIDGES THIS DIMENSION WILL ONLY APPLY TO THE SIDE OF JOINT ASSEMBLY WHICH IS NEAREST TO THE CURB LINE (SEE DETAIL "D" ABOVE).

**NOTES:**

FOR SECTION X-X SEE SHEET 2 / 5.  
FOR SECTION Y-Y SEE SHEET 4 / 5.