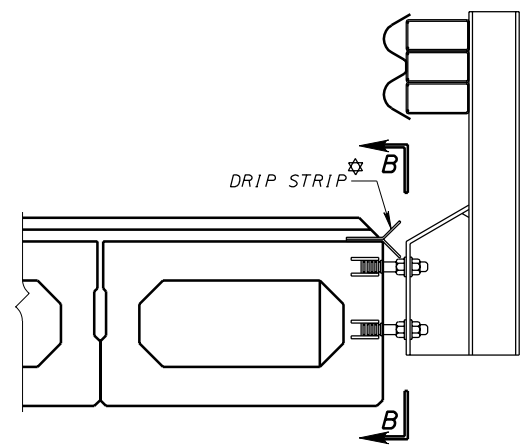
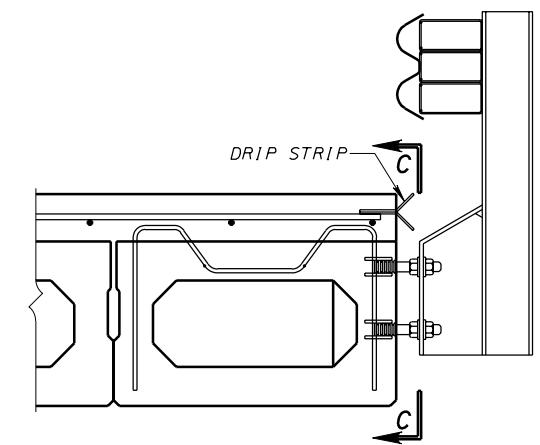


**CONCRETE SLAB WITH DBR-2-73 RAILING**  
(DECK ON CONCRETE OR STEEL BEAM SIMILAR)



**NONCOMPOSITE BOX BEAM WITH DBR-2-73 RAILING**  
(DECK ON CONCRETE OR STEEL BEAM SIMILAR)



**COMPOSITE BOX BEAM WITH DBR-2-73 RAILING**  
(DECK ON CONCRETE OR STEEL BEAM SIMILAR)

**DRIP STRIP NOTES**

INSTALL LOWER STAINLESS STEEL DRIP STRIP, AS DETAILED, ALONG THE FULL LENGTH OF EACH SIDE OF THE BRIDGE. IF SPLICES ARE REQUIRED IN THE LOWER DRIP STRIP, TIGHTLY BUTT THE INDIVIDUAL PIECES TOGETHER. DO NOT LAP. INSTALL A 1'-6" LONG UPPER DRIP STRIP AT EACH RAILING POST. BEND UP STRIPS AT 90° AGAINST THE INSIDE FACE OF THE FORMS BEFORE CONCRETE IS PLACED. AFTER THE FORMS ARE REMOVED, BEND THE DRIP STRIPS INTO THE FINAL POSITION OF 45° AS SHOWN HEREIN.

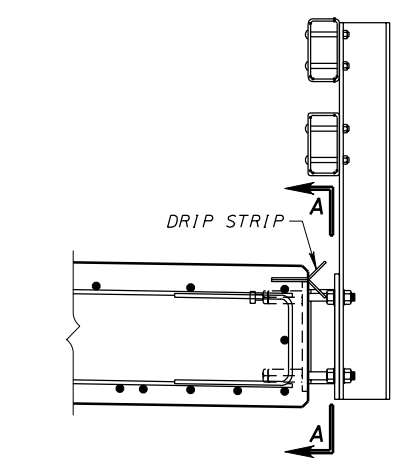
STAINLESS STEEL SHALL BE A MINIMUM OF 22 GAGE ASTM A167, TYPE 304, MILL FINISH.

USE CARE WHEN STRIPPING FORMWORK SO AS NOT TO DAMAGE OR WRINKLE THE STAINLESS STEEL DRIP STRIP. TO FURTHER ENSURE THAT WRINKLING OF THE STRIPS DOES NOT OCCUR, USE AN ADEQUATE LENGTH BACKUP BAR DURING THE BENDING OUT OPERATION.

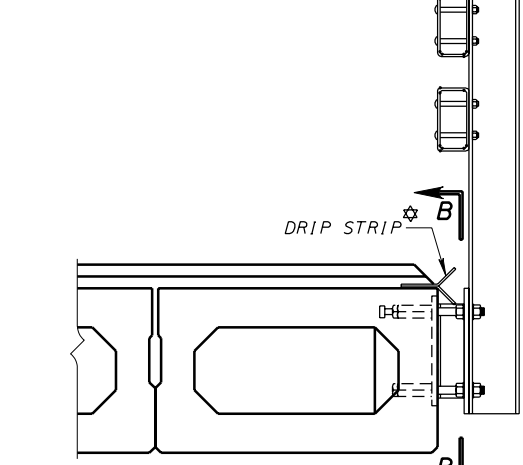
THE DEPARTMENT WILL MEASURE THE DRIP STRIP BY THE FOOT AND WILL INCLUDE THE TOTAL LENGTH OF BOTH THE UPPER AND LOWER DRIP STRIPS.

THE DEPARTMENT WILL PAY FOR ACCEPTED QUANTITIES AT THE CONTRACT PRICE FOR ITEM SPECIAL, STEEL DRIP STRIP.

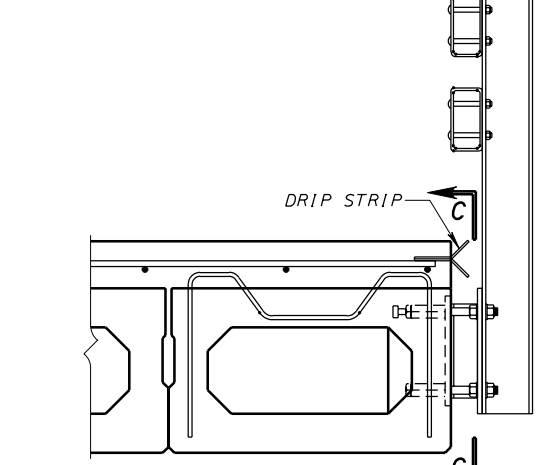
☆ PRIOR TO PLACING THE ASPHALT OVERLAY, INSTALL THE BENT DRIP STRIPS ALONG THE EDGE OF THE PRESTRESSED BOX BEAM AS SHOWN. FASTEN THE DRIP STRIPS WITH (1/4" LENGTH, 3/32" SHANK DIAMETER) BUTTON HEAD SPIKES WITH DEFORMED SHANKS OR EXPANSION ANCHORS AT 1'-6" C/C MAX. ALL INSTALLATION DEVICES SHALL BE GALVANIZED OR STAINLESS STEEL. OTHER SIMILAR DEVICES SHALL NOT BE USED UNLESS APPROVED BY THE ENGINEER.



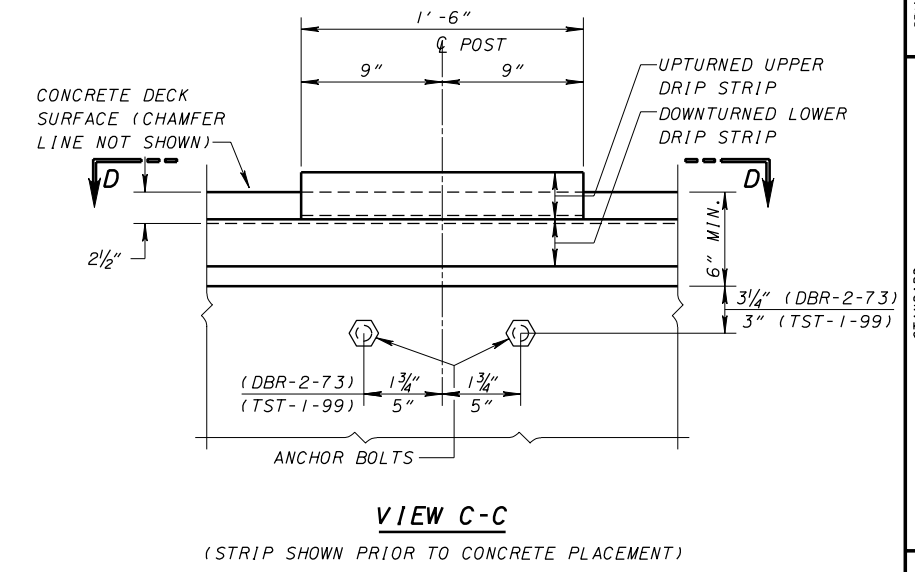
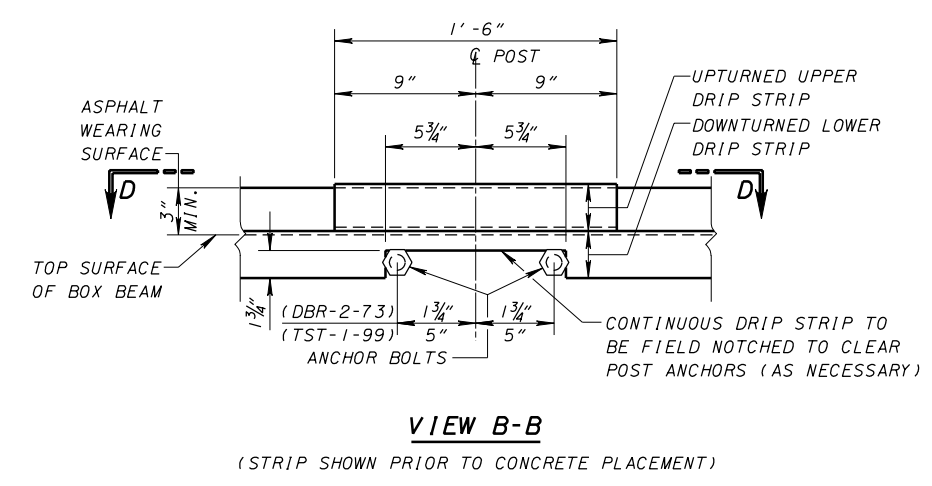
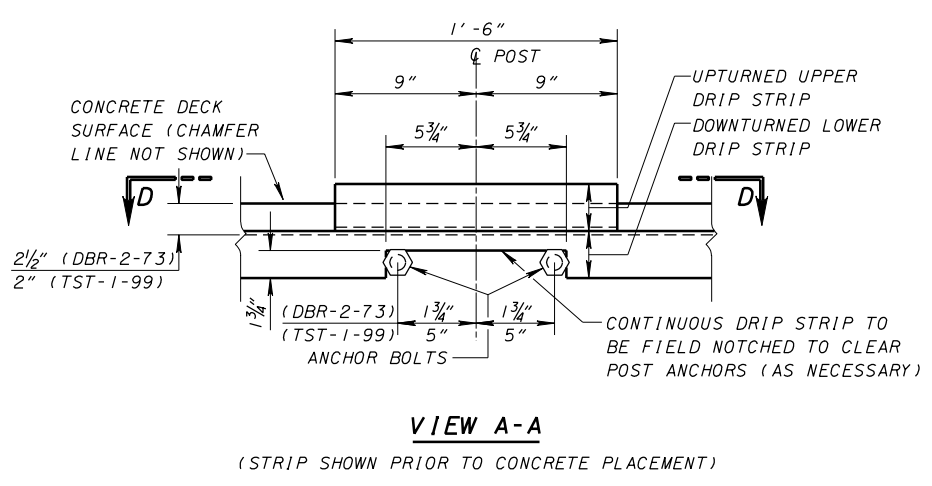
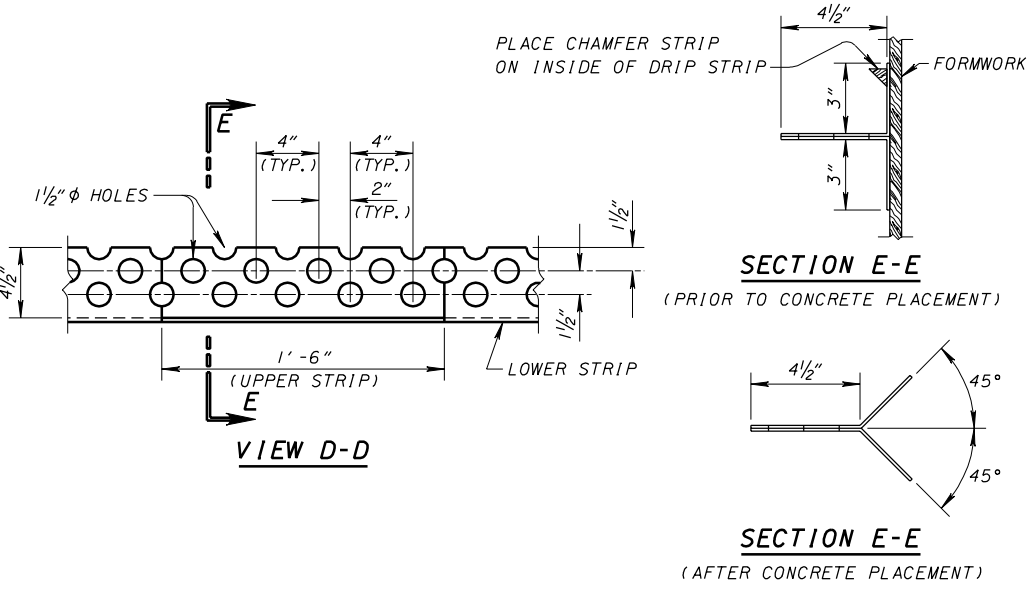
**CONCRETE SLAB WITH TST-1-99 RAILING**  
(DECK ON CONCRETE OR STEEL BEAM SIMILAR)



**COMPOSITE BOX BEAM WITH TST-1-99 RAILING**  
(DECK ON CONCRETE OR STEEL BEAM SIMILAR)



**COMPOSITE BOX BEAM WITH TST-1-99 RAILING**  
(DECK ON CONCRETE OR STEEL BEAM SIMILAR)



STANDARD DRIP STRIP FOR STRUCTURES WITH OVER THE SIDE DRAINAGE