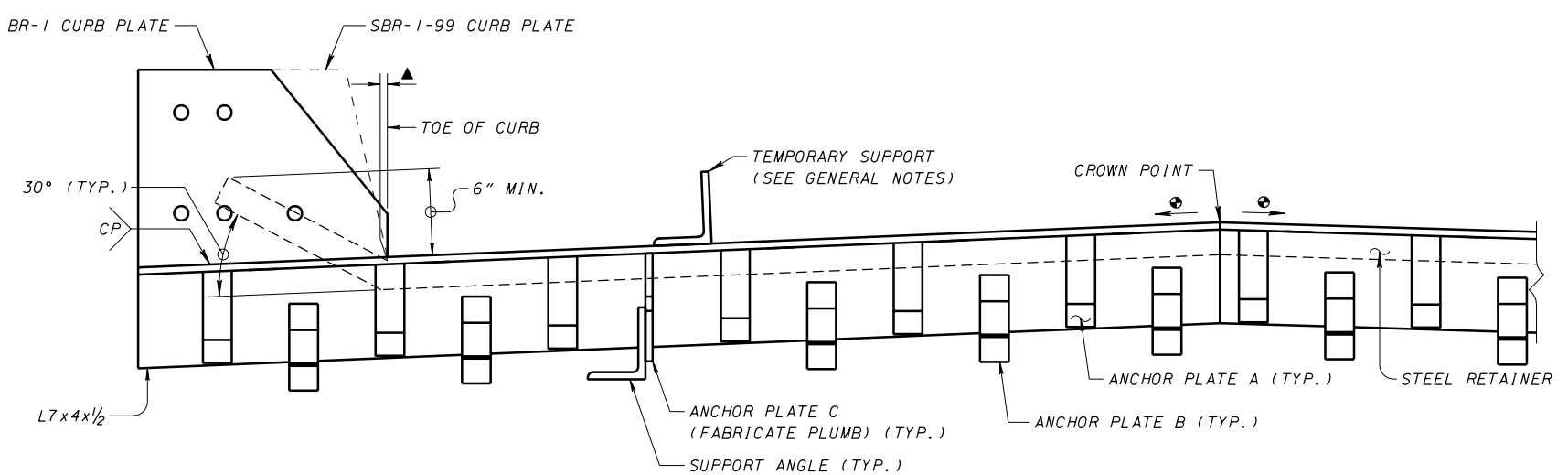
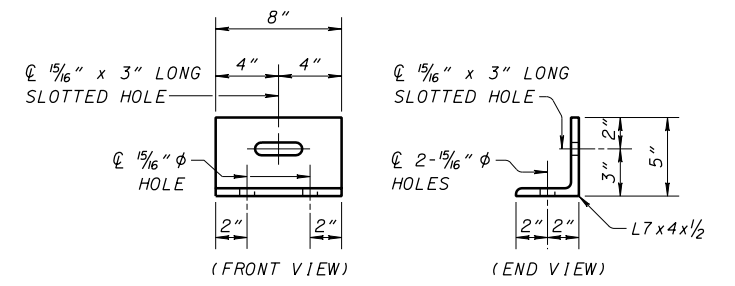
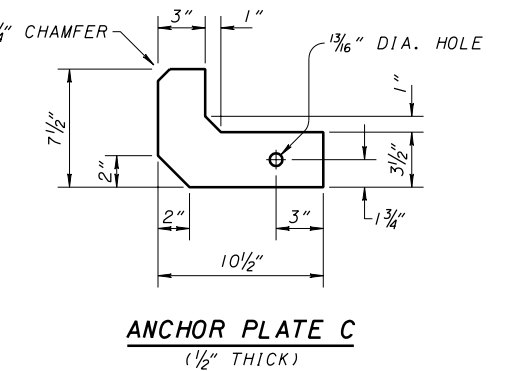
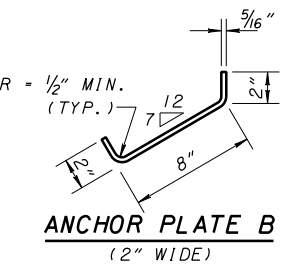
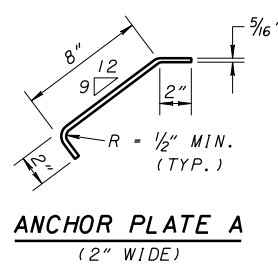
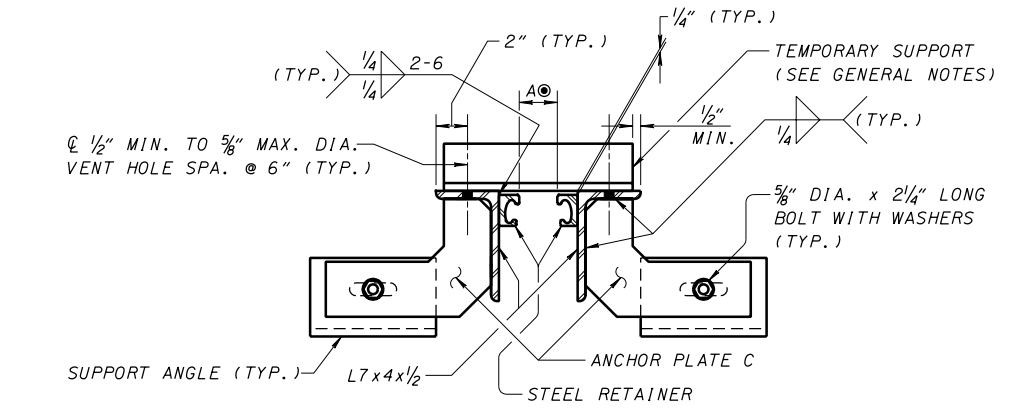
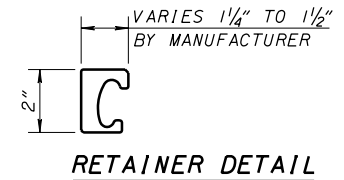
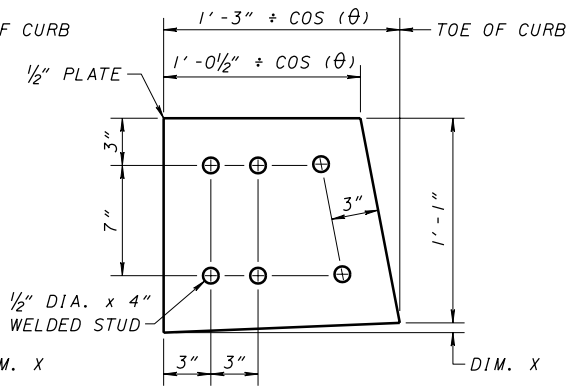
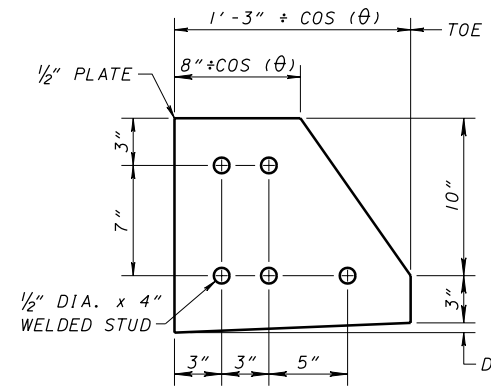


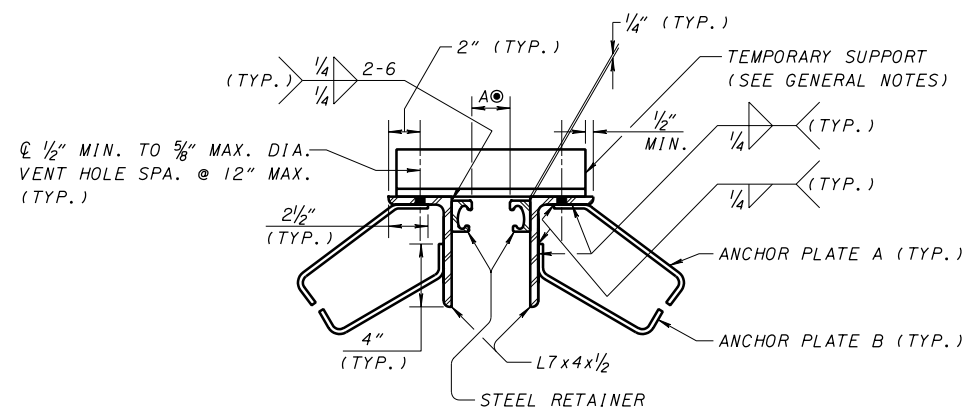
PLAN VIEW



VIEW A-A



SECTION B-B



SECTION C-C

- LEGEND**
- DIM. X = (15" x % SLOPE) ÷ COS (θ)
 - % SLOPE = PAVEMENT CROSS SLOPE, MEASURED PERPENDICULAR TO THE CENTERLINE OF SURVEY
 - θ = SKEW ANGLE
 - ▲ - 0" MIN. TO 1/2" MAX. AT BREAKPOINT IN RETAINER FOR SQUARE BRIDGES. ON SKEWED BRIDGES, THIS DIMENSION WILL ONLY APPLY TO THE SIDE OF JOINT ASSEMBLY WHICH IS NEAREST TO THE CURB
 - - FABRICATE EACH L7x4x1/2 TO MATCH THE BRIDGE CROSS SLOPE MEASURED PARALLEL TO THE EXPANSION JOINT.
 - - DETERMINE DIM. "A" FROM TABLE PROVIDED IN PROJECT PLANS.

DESIGN AGENCY	OFFICE OF	STRUCTURAL ENGINEERING
STATE OF OHIO DEPARTMENT OF TRANSPORTATION	DATE	01-20-06
ADMINISTRATOR		
CHECKED	REVIEWED	EXJ-6-06
DESIGNED	DRAWN	SAM
REVISIONS		
STANDARD	STRIP SEAL EXPANSION JOINTS FOR CONCRETE T-BEAM SUPERSTRUCTURES	
		1/5