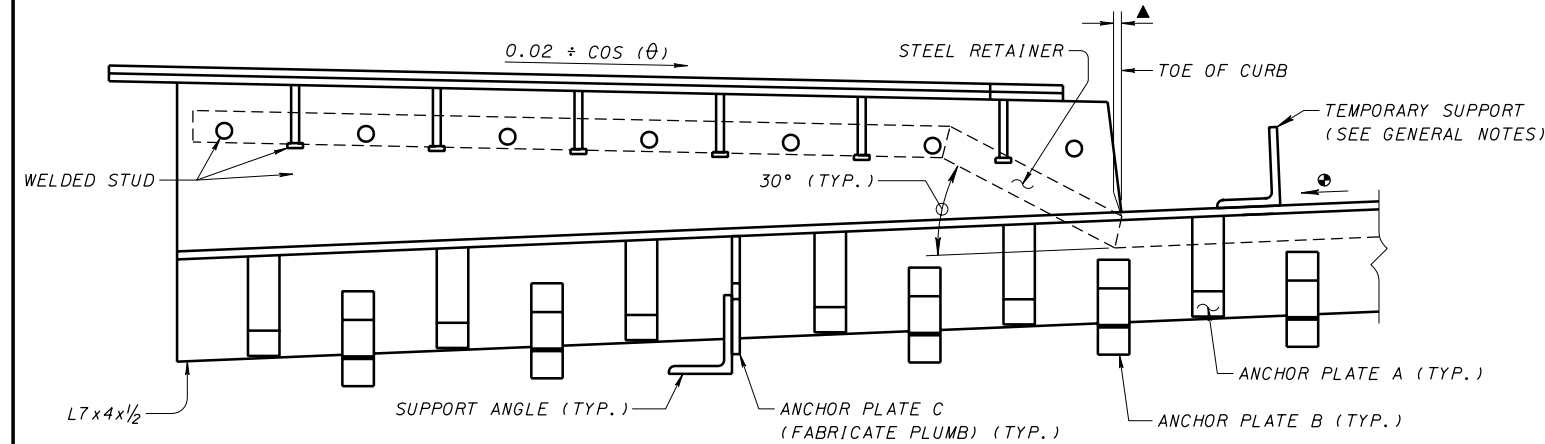
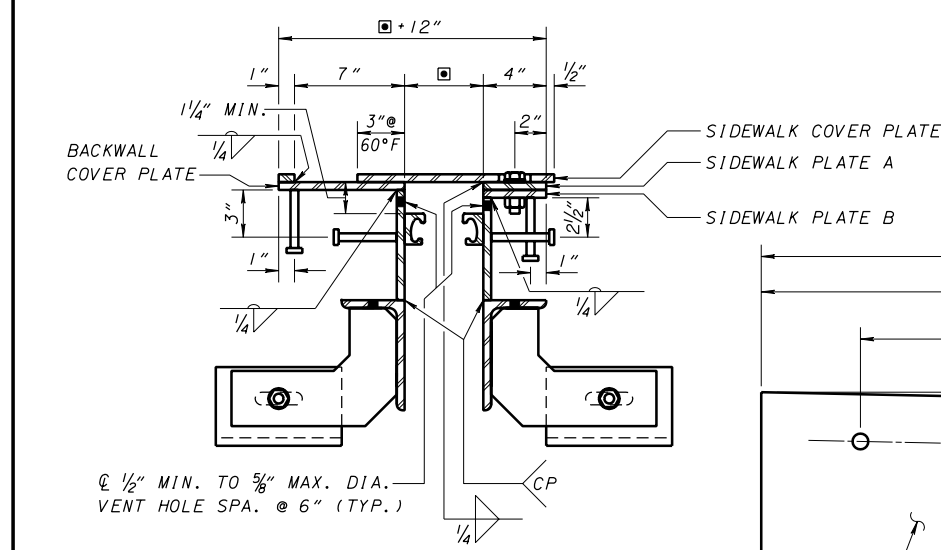


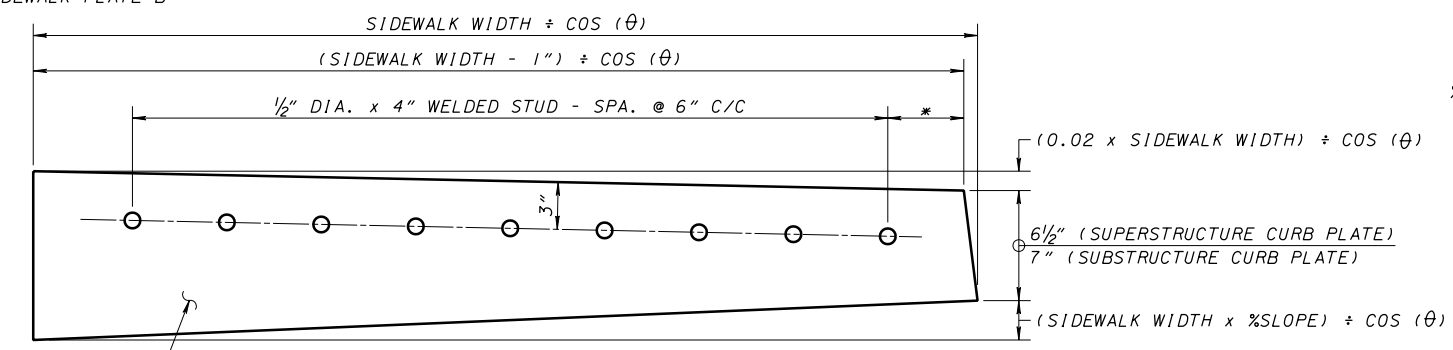
PLAN VIEW



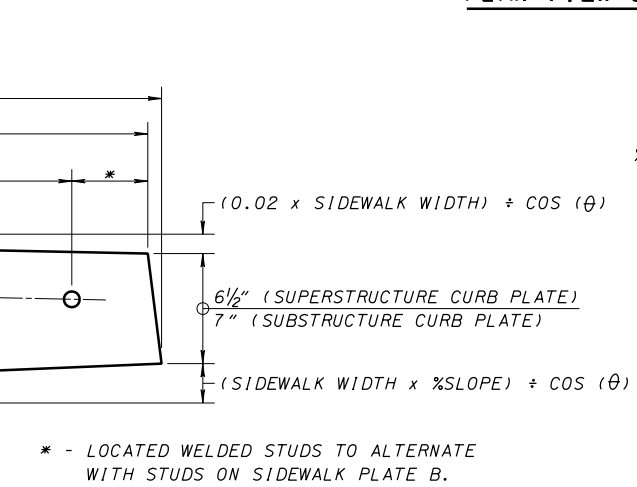
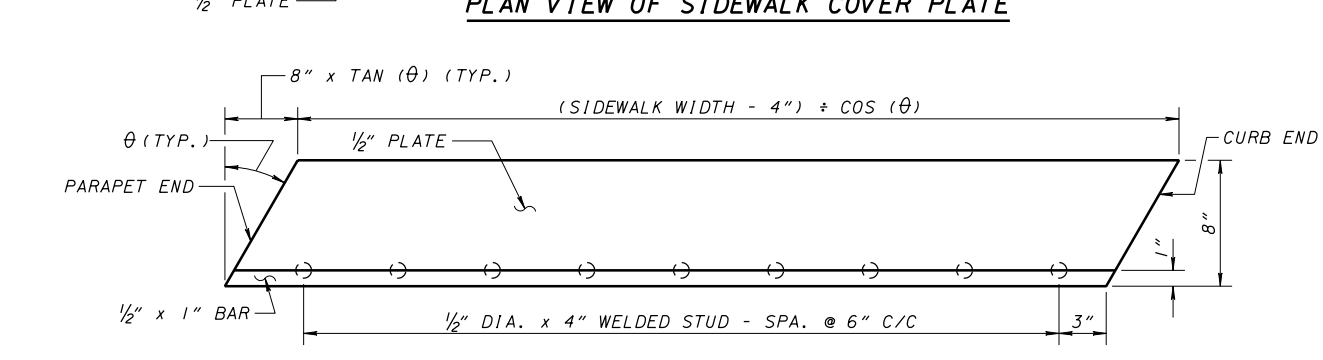
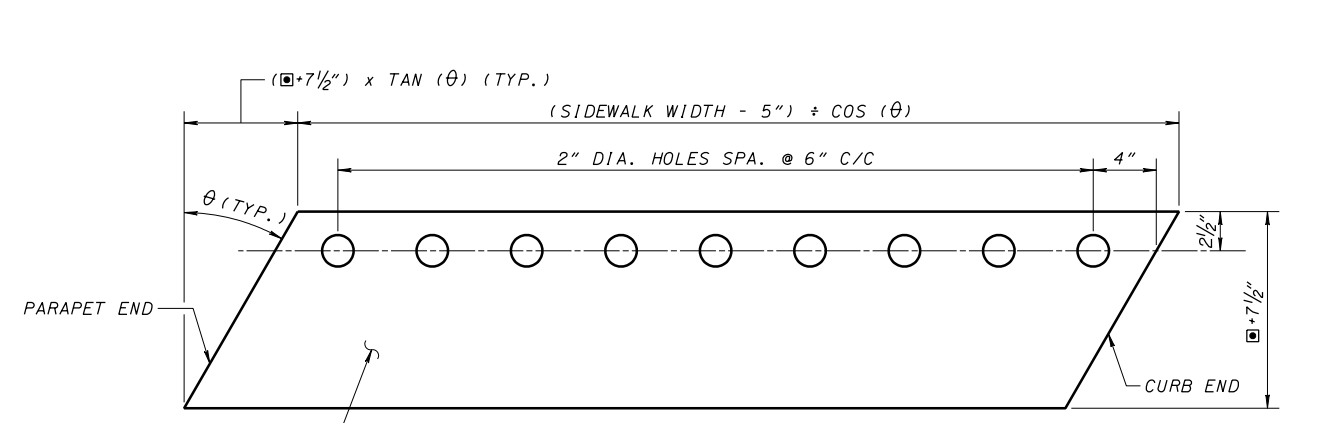
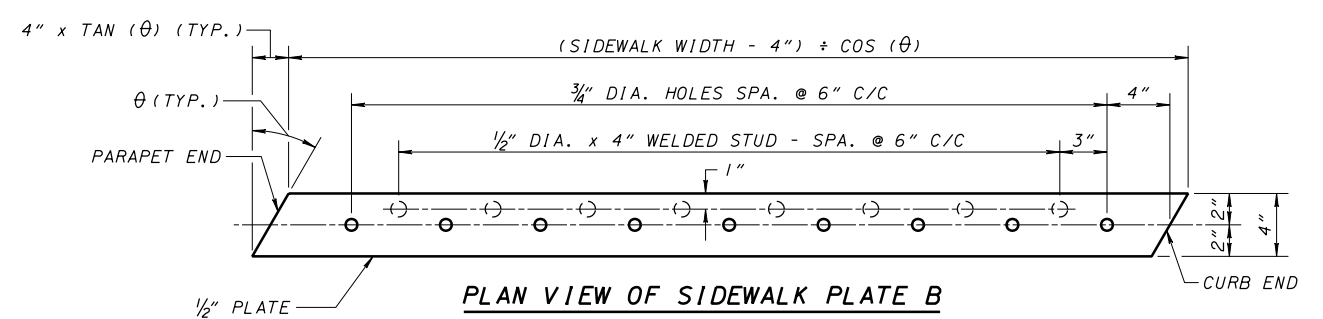
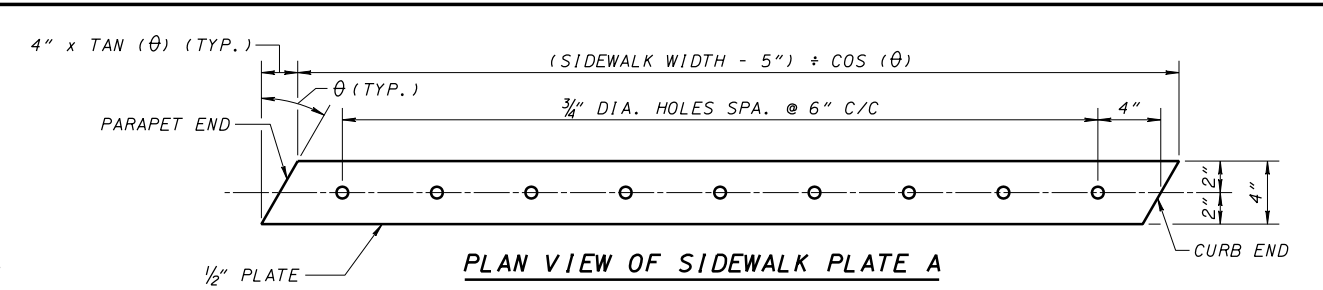
VIEW D-D



SECTION E-E



ELEVATION OF SIDEWALK CURB PLATE



FOR ADDITIONAL INFORMATION REFER TO SECTION B-B OR C-C ON SHEET 1/5.

DESIGN AGENCY	OFFICE OF	STRUCTURAL ENGINEERING
STATE OF OHIO DEPARTMENT OF TRANSPORTATION	DATE	01-20-06
ADMINISTRATOR		
REVIEWED	EXJ-6-06	
CHECKED		
DESIGNED	SAM	
DRAWN	SAM	
STANDARD	STRIP SEAL EXPANSION JOINTS FOR CONCRETE T-BEAM SUPERSTRUCTURES	
2	5	