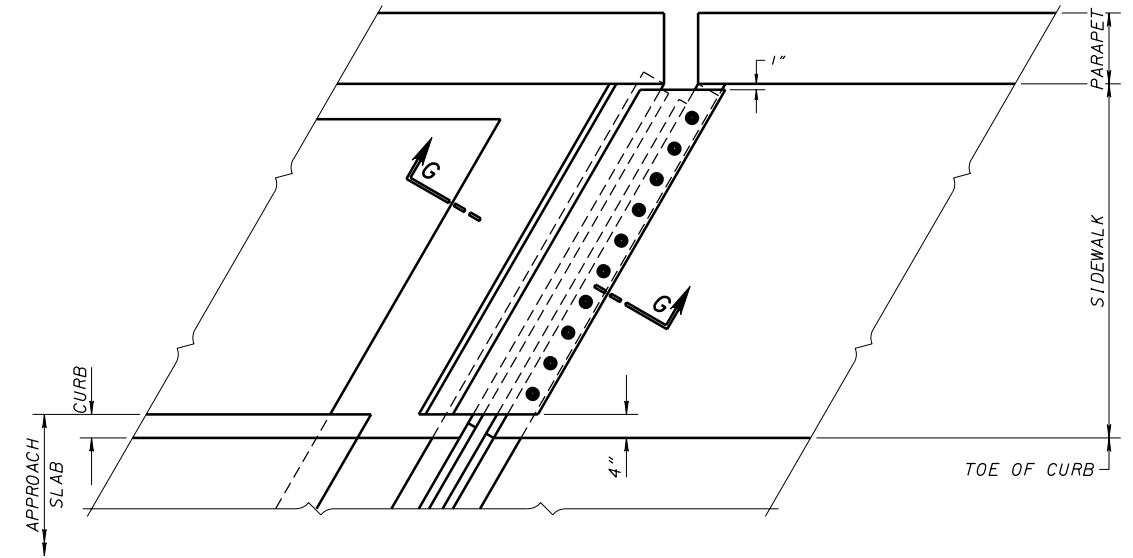
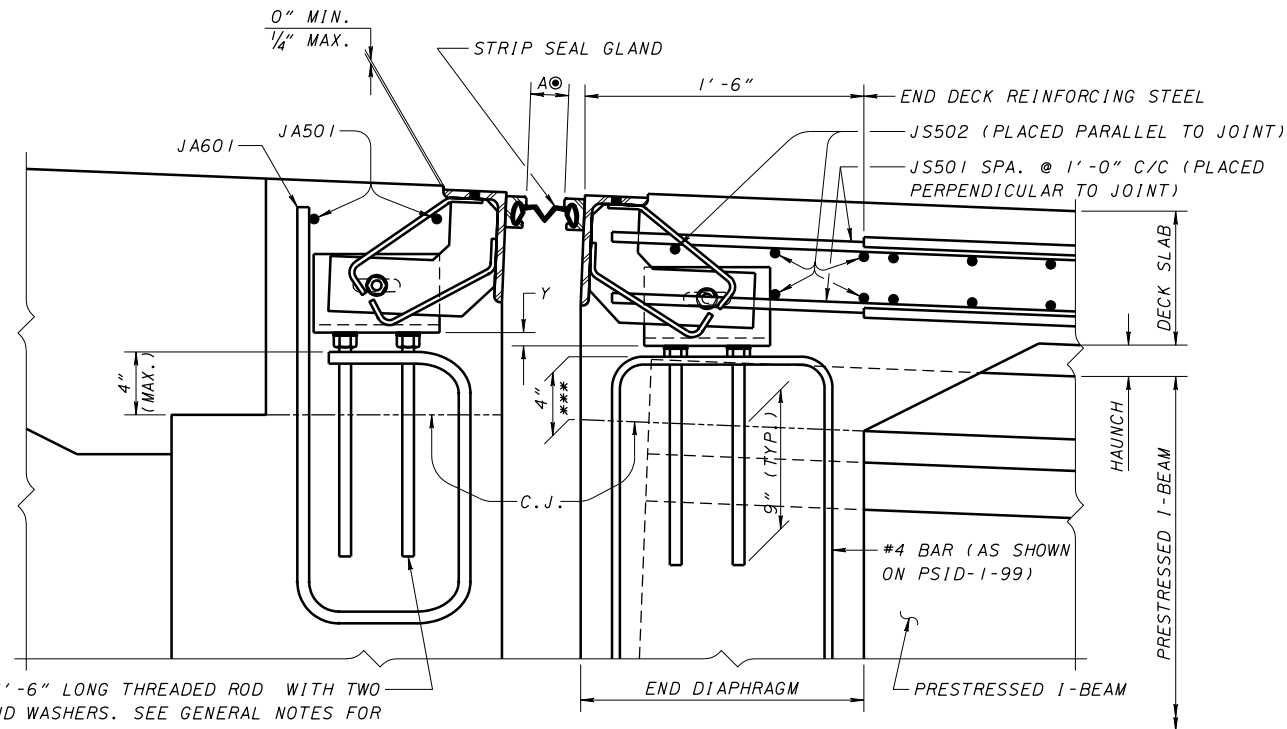


**PART PLAN AT ABUTMENT**  
**BRIDGES WITH DEFLECTOR PARAPET**  
 (BR-1 RAILING IS SHOWN, SBR-1-99 SHALL BE SIMILAR)



**PART PLAN AT ABUTMENT**  
**BRIDGES WITH SIDEWALKS**

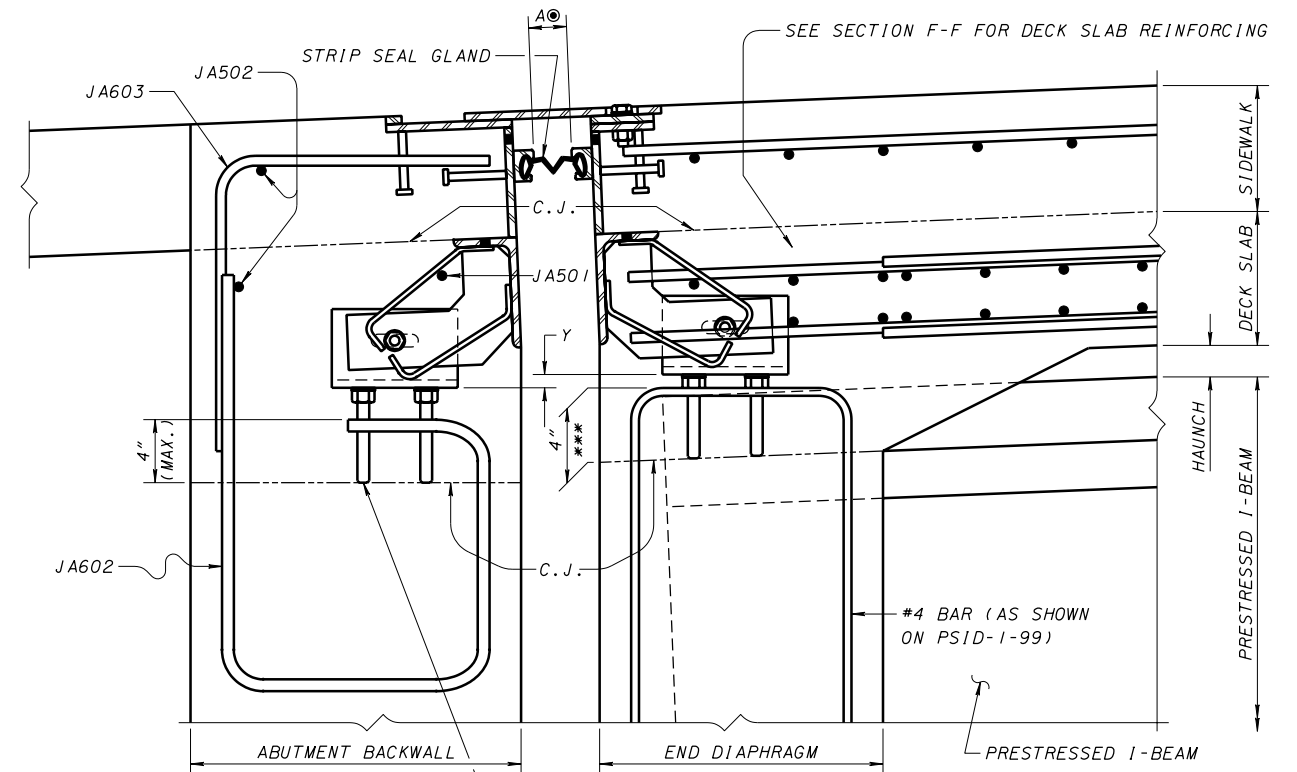
NOTE: FOR SKEWED SUPERSTRUCTURES, FIELD BEND THE JS501 BARS AS NECESSARY AT THE ACUTE CORNERS TO MAINTAIN CONCRETE CLEAR COVER AT THE DECK EDGE.



3/4" DIA. x 1'-6" LONG THREADED ROD WITH TWO HEX NUTS AND WASHERS. SEE GENERAL NOTES FOR THREADED ROD AND JOINT SUPPORT & ANCHORAGE REQUIREMENTS. (TYP.)

**SECTION F-F**  
 (SECTION SHOWN AT ANCHORED SUPPORT)

FOR ADDITIONAL JOINT ASSEMBLY DETAILS, SEE SECTION B-B OR SECTION C-C ON SHEET 1/5.



3/4" DIA. x 9" LONG THREADED ROD WITH TWO HEX NUTS AND WASHERS. SEE GENERAL NOTES FOR THREADED ROD AND JOINT SUPPORT & ANCHORAGE REQUIREMENTS. (TYP.)

**SECTION G-G**  
 (SECTION SHOWN AT UNANCHORED SUPPORT)

FOR ADDITIONAL JOINT ASSEMBLY DETAILS, SEE SECTION E-E ON SHEET 2/5.

**LEGEND**

- ⊙ - DETERMINE DIM. "A" FROM TABLE PROVIDED IN PROJECT PLANS.
- ⊠ - DIM. A⊙ + 2 x WIDTH OF STEEL RETAINER
- C.J. - CONSTRUCTION JOINT
- \*\*\* - MEASURED TO THE HIGHEST SIDE OF THE DIAPHRAGM.
- Y - %GRADE x (DIM. A⊙ + 18 1/2")
- %GRADE - INSTANTANEOUS PROFILE GRADE AT THE CENTERLINE OF THE JOINT

DESIGN AGENCY	OFFICE OF	STRUCTURAL ENGINEERING
STATE OF OHIO DEPARTMENT OF TRANSPORTATION	DATE	01-20-06
ADMINISTRATOR		
REVISIONS	DESIGNED	EXJ-6-06
	SAM	
	DRWN	
	SAM	
STANDARD	STRIP SEAL EXPANSION JOINTS FOR CONCRETE I-BEAM SUPERSTRUCTURES	
3	5	