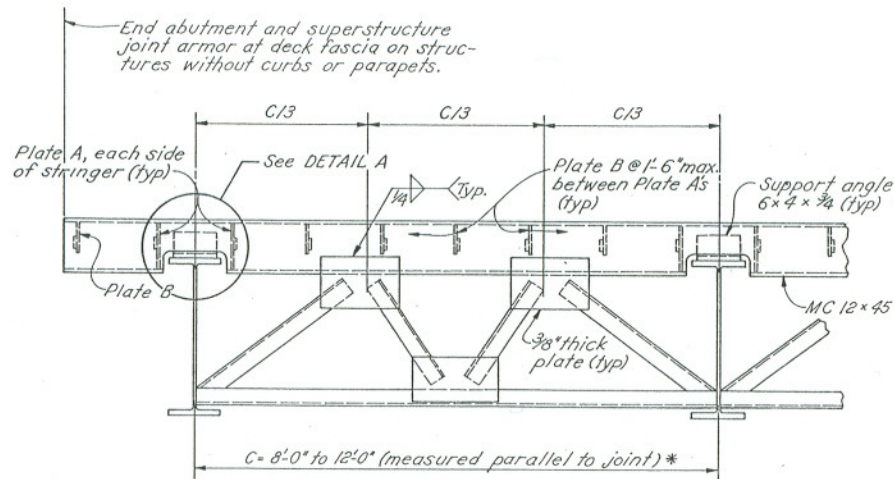
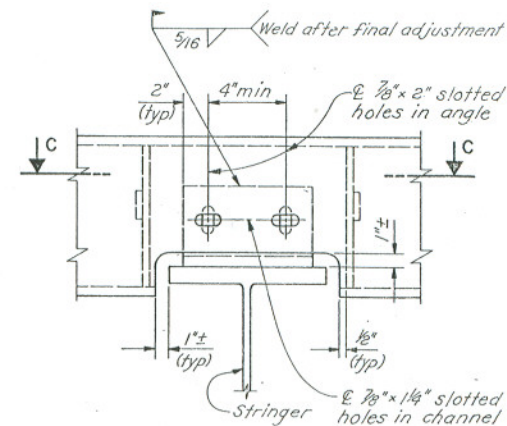


PART PLAN AT ABUTMENT
FOR SQUARE OR LOW SKEWED (15° OR LESS)
BRIDGES WITH DEFLECTOR PARAPET RAILING

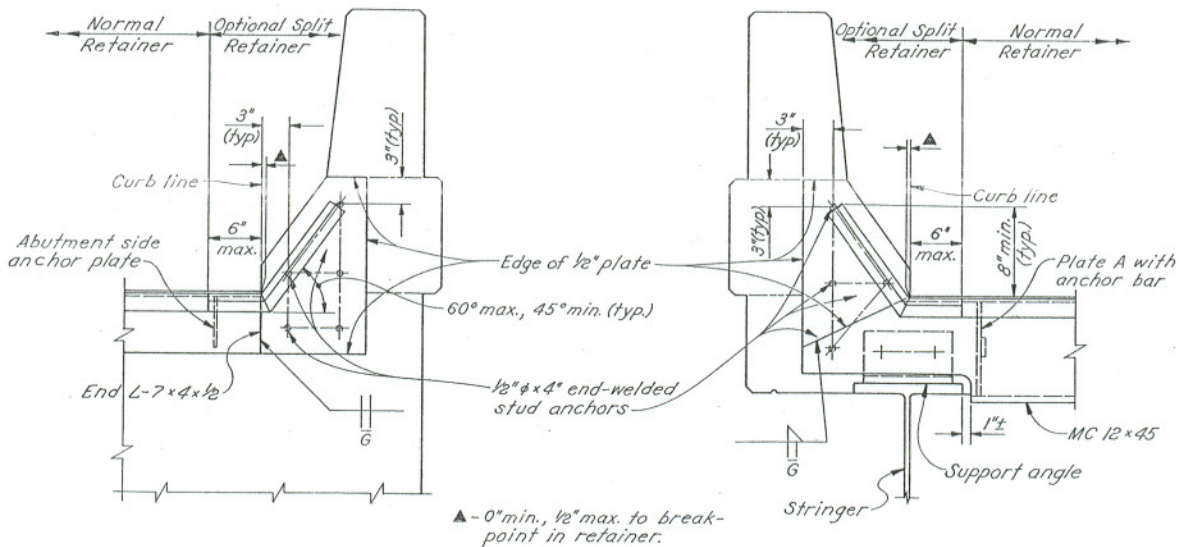


END CROSSFRAME DETAIL

* For C dimensions and support points other than shown and additional end crossframe details, see Standard Drawing SD-1-69, sheet 1 of 4.



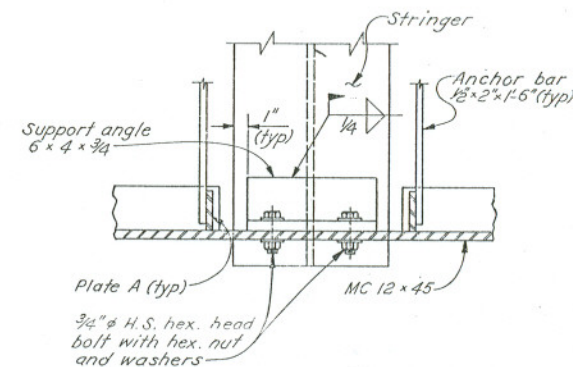
DETAIL A



SECTION A-A

SECTION B-B

▲ - 0" min., 1/2" max. to break-point in retainer.



SECTION C-C

For SECTION X-X see sheet 2/5.

STATE OF OHIO DEPARTMENT OF TRANSPORTATION BUREAU OF BRIDGES AND STRUCTURAL DESIGN					1	5
STANDARD STRIP SEAL EXPANSION JOINTS AT ABUTMENTS FOR STEEL STRINGER STRUCTURES						
APPROVED: 1-5-87 DATE						DRAWING NO.
ENGINEER OF BRIDGES						EXJ-4-87
DESIGNED	DRAWN	TRACED	CHECKED	REVIEWED		
AJM	AJM	---	RLD	WTF		