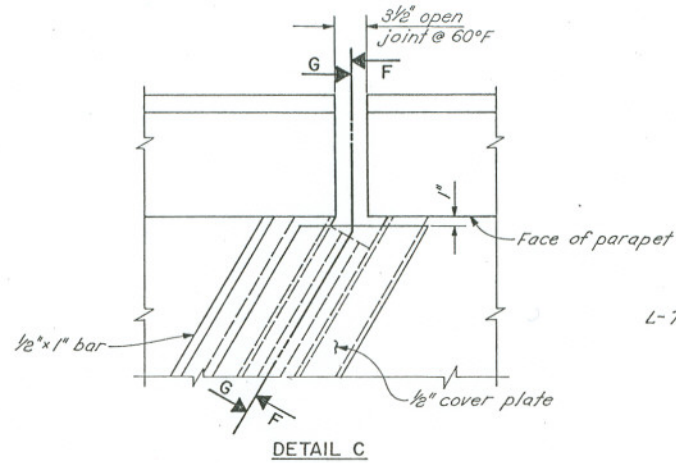
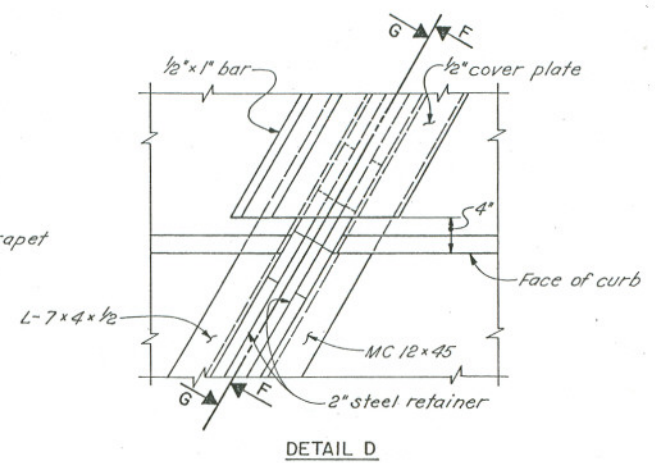


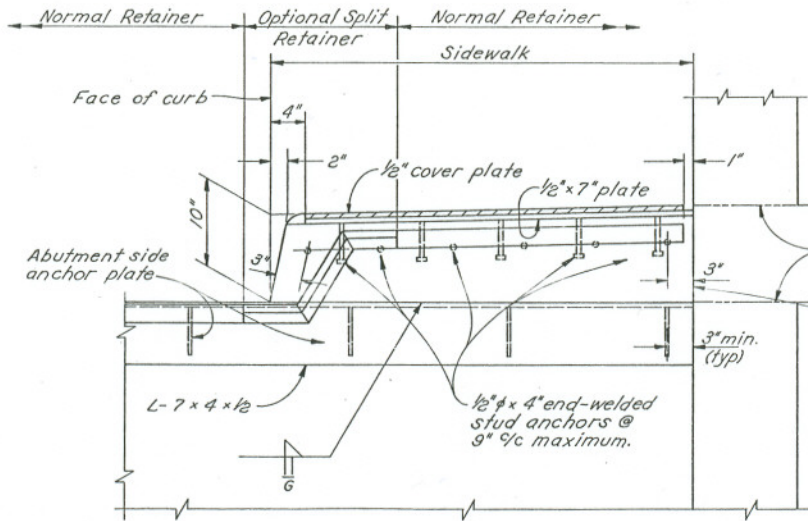
PART PLAN AT ABUTMENT
FOR BRIDGES WITH SIDEWALK
PARAPET RAILING



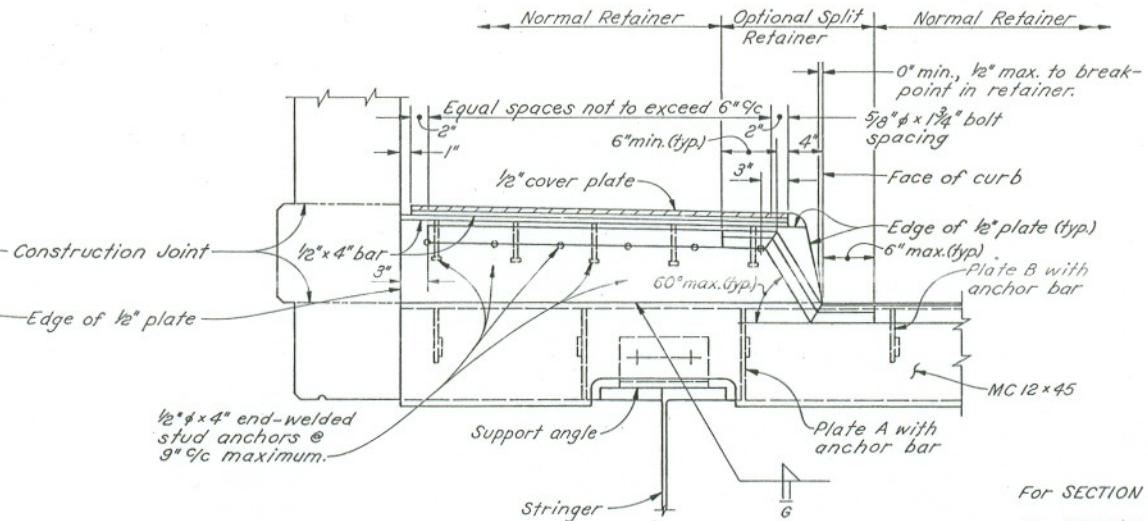
DETAIL C



DETAIL D



SECTION F-F



SECTION G-G

For SECTION X-X see sheet **2/5**.
For SECTION Y-Y see sheet **4/5**.

△ - SIDEWALK AND PARAPET JOINT ARMOR ANCHORS:
In lieu of the 1/2" ϕ end-welded studs shown, alternate methods of anchoring the 1/2" plates may be used, subject to approval by the Director.

STATE OF OHIO DEPARTMENT OF TRANSPORTATION BUREAU OF BRIDGES AND STRUCTURAL DESIGN					3	5
STANDARD STRIP SEAL EXPANSION JOINTS AT ABUTMENTS FOR STEEL STRINGER STRUCTURES						
APPROVED: 1-5-87 DATE						DRAWING NO.
DESIGNED AJM						ENGINEER OF BRIDGES WTF
DRAWN AJM						EXJ-4-87
TRACED —						REVIEWED WTF