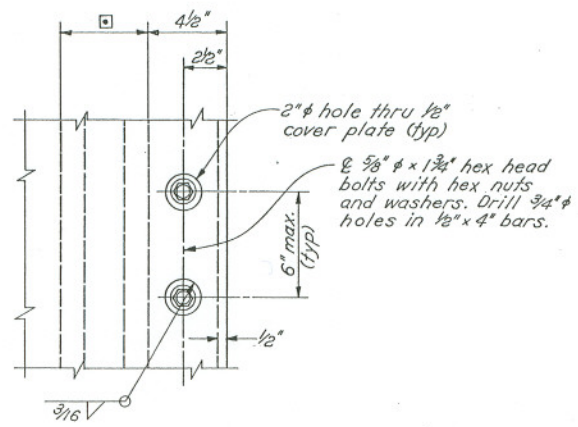


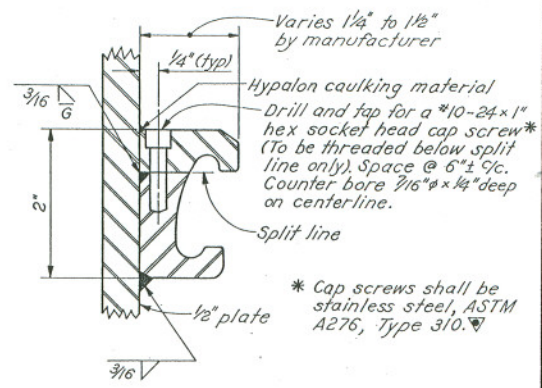
**SECTION Y-Y**

See SIDEWALK AND PARAPET JOINT ARMOR ANCHORS note on sheet 3/5.

For source determination of steel, a letter of compliance in lieu of complete traceability will suffice.



**VIEW E-E**



**SPLIT RETAINER DETAIL**  
NORMAL RETAINER SIMILAR

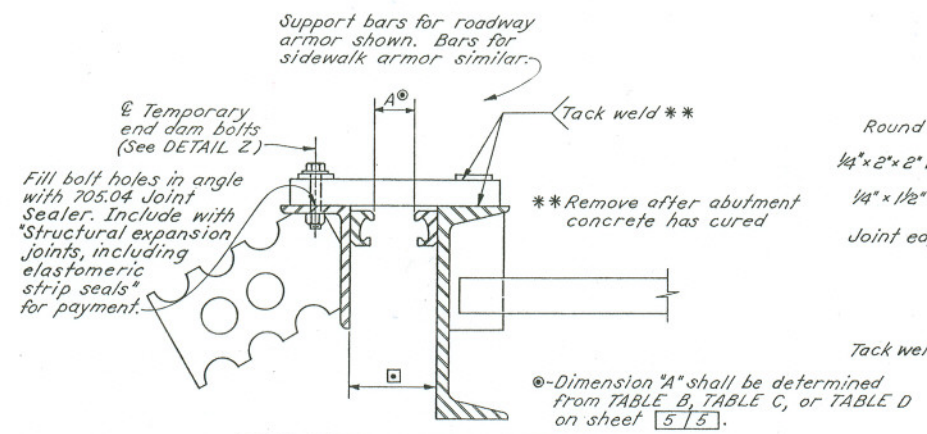
The split retainer shown above is a normal retainer which has been modified as indicated. At joint upturns, especially on skewed bridge decks, the use of split retainers may be necessary to ensure good seal gland installation. On shop drawings, where the split retainer is not used, the seal gland Manufacturer or his agent warrants to the Director that the furnished configuration will provide for ready installation and replacement of the gland.



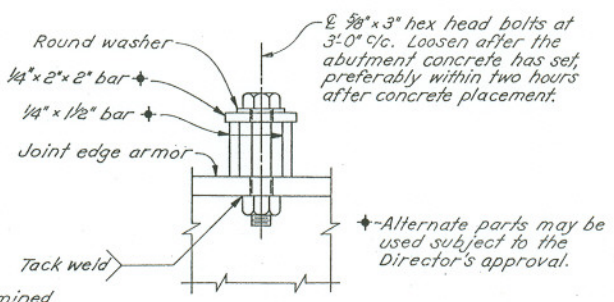
| STRIP SEAL GLAND TABLE |                              |                              |                            |
|------------------------|------------------------------|------------------------------|----------------------------|
| SEAL MOVEMENT RATING   | MANUFACTURER & DESIGNATION † |                              |                            |
|                        | THE D.S. BROWN COMPANY       | STRUCTURAL ACCESSORIES, INC. | WATSON-BOWMAN & ACME CORP. |
| 3"                     | 300L                         | —                            | SE-300                     |
| 4"                     | 400L                         | 40SEQ                        | SE-400                     |
| 5"                     | 500L                         | 50SEQ                        | SE-500                     |

† OR AN APPROVED ALTERNATE

For location of SECTION Y-Y see sheet 3/5.



**JOINT ARMOR ADJUSTMENT DETAIL**  
An alternate detail may be used subject to the Director's approval.



**DETAIL Z**  
TEMPORARY SUPPORT BARS

|  |       |        |         |                     |          |
|--|-------|--------|---------|---------------------|----------|
| STATE OF OHIO  |       | 4      |         | 5                   |          |
| DEPARTMENT OF TRANSPORTATION<br>BUREAU OF BRIDGES AND STRUCTURAL DESIGN                  |       |        |         |                     |          |
| STANDARD<br>STRIP SEAL EXPANSION<br>JOINTS AT ABUTMENTS FOR<br>STEEL STRINGER STRUCTURES |       |        |         |                     |          |
| APPROVED: <i>B.D. [Signature]</i>  |       |        |         | DRAWING NO.         |          |
| DATE: 1-5-89   |       |        |         | ENGINEER OF BRIDGES |          |
| DESIGNED   | DRAWN | TRACED | CHECKED | REVIEWED            |          |
| AJM  | AJM   | —      | RLD     | WTF                 | EXJ-4-87 |