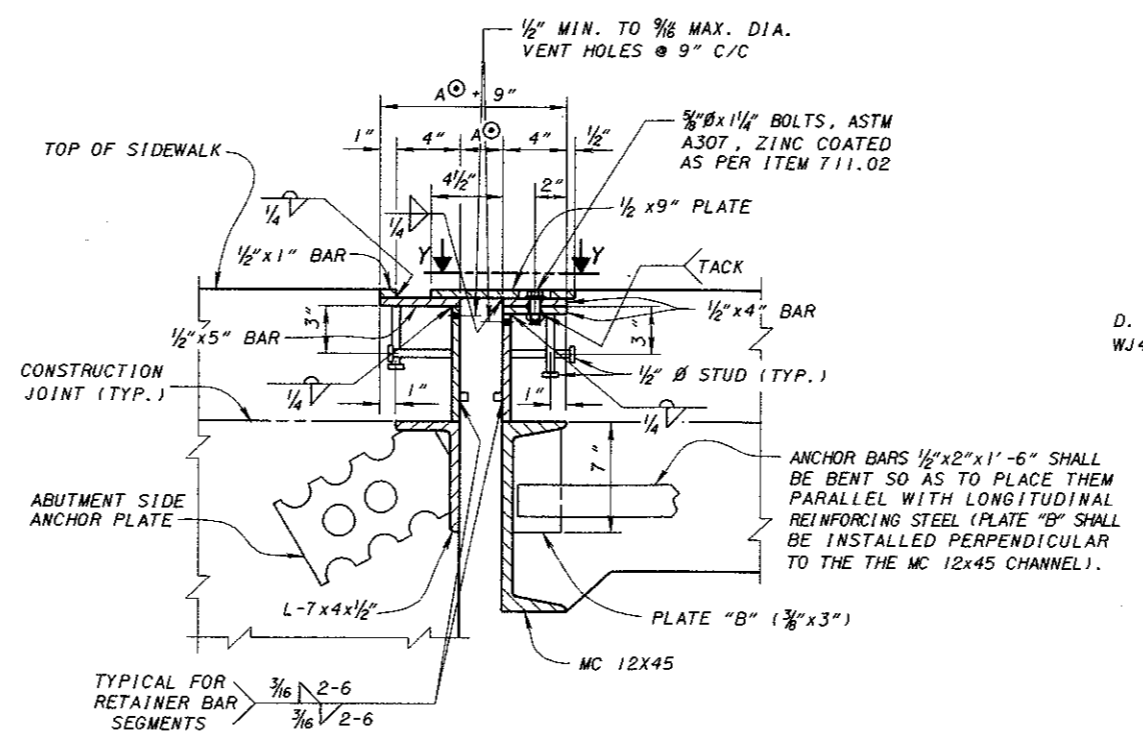
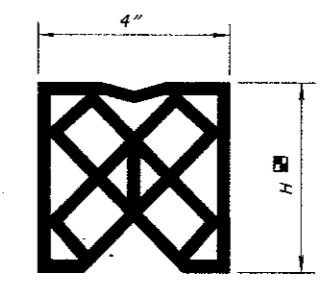


PART PLAN AT ABUTMENT
FOR BRIDGES WITH SIDEWALK PARAPET RAILING

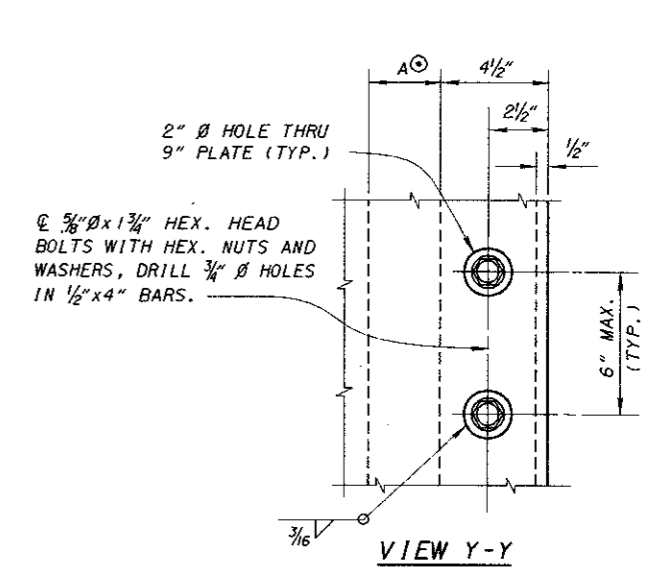


SECTION G-G

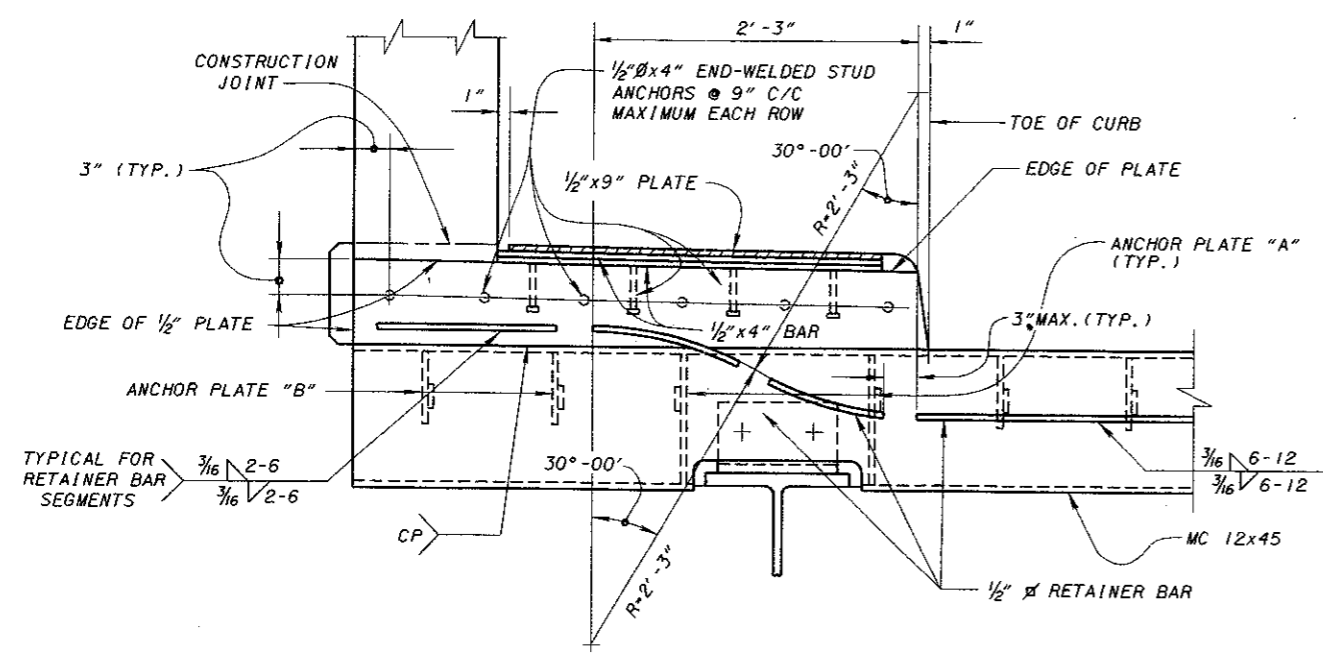


COMPRESSION SEAL DETAIL

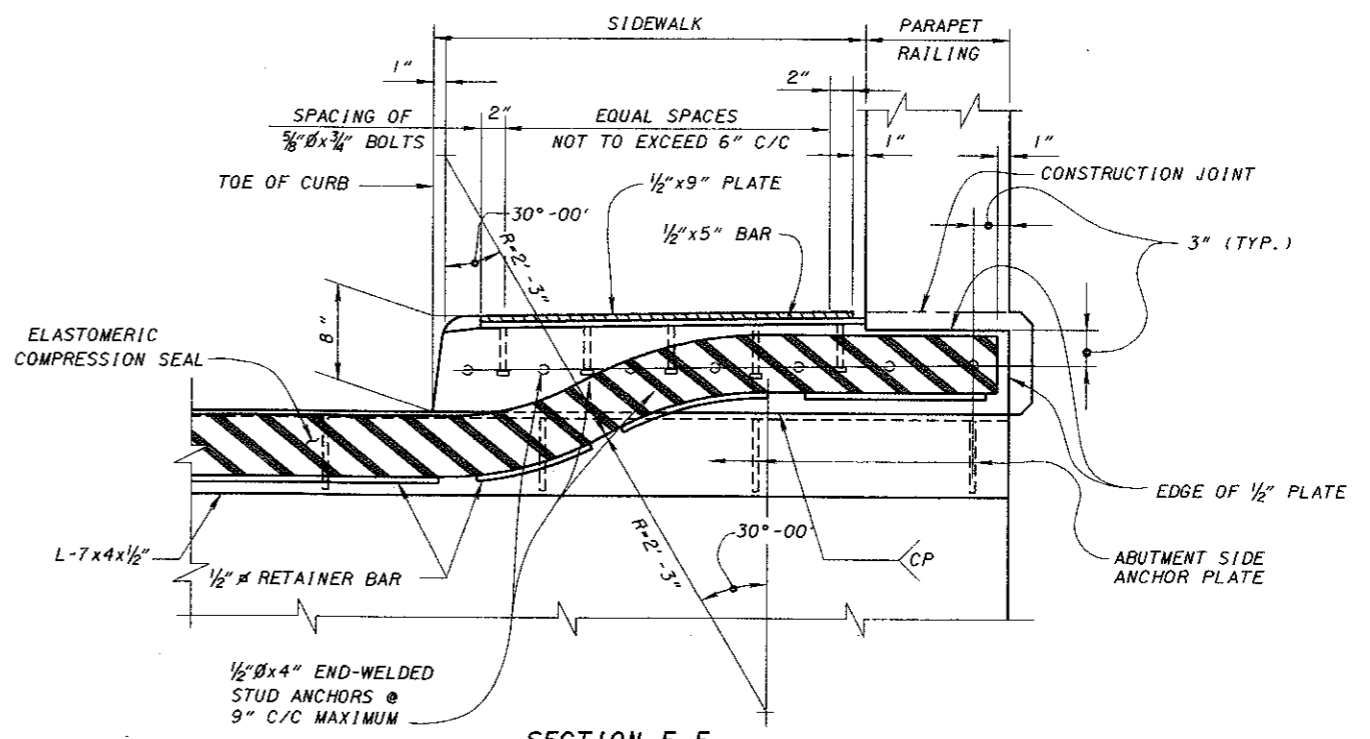
D. S. BROWN'S CV4000, WATSON-BOWMAN, ACME'S WJ400, OR AN APPROVED ALTERNATE.



VIEW Y-Y



SECTION E-E
SEAL NOT SHOWN



SECTION F-F

SEE SECTION E-E FOR OTHER DETAILS NOT SHOWN

FOR SECTION A-A SEE SHEET 1/3

SEE SHEET 3/3 FOR GENERAL NOTES AND FOR CONSTRUCTION PROCEDURES.