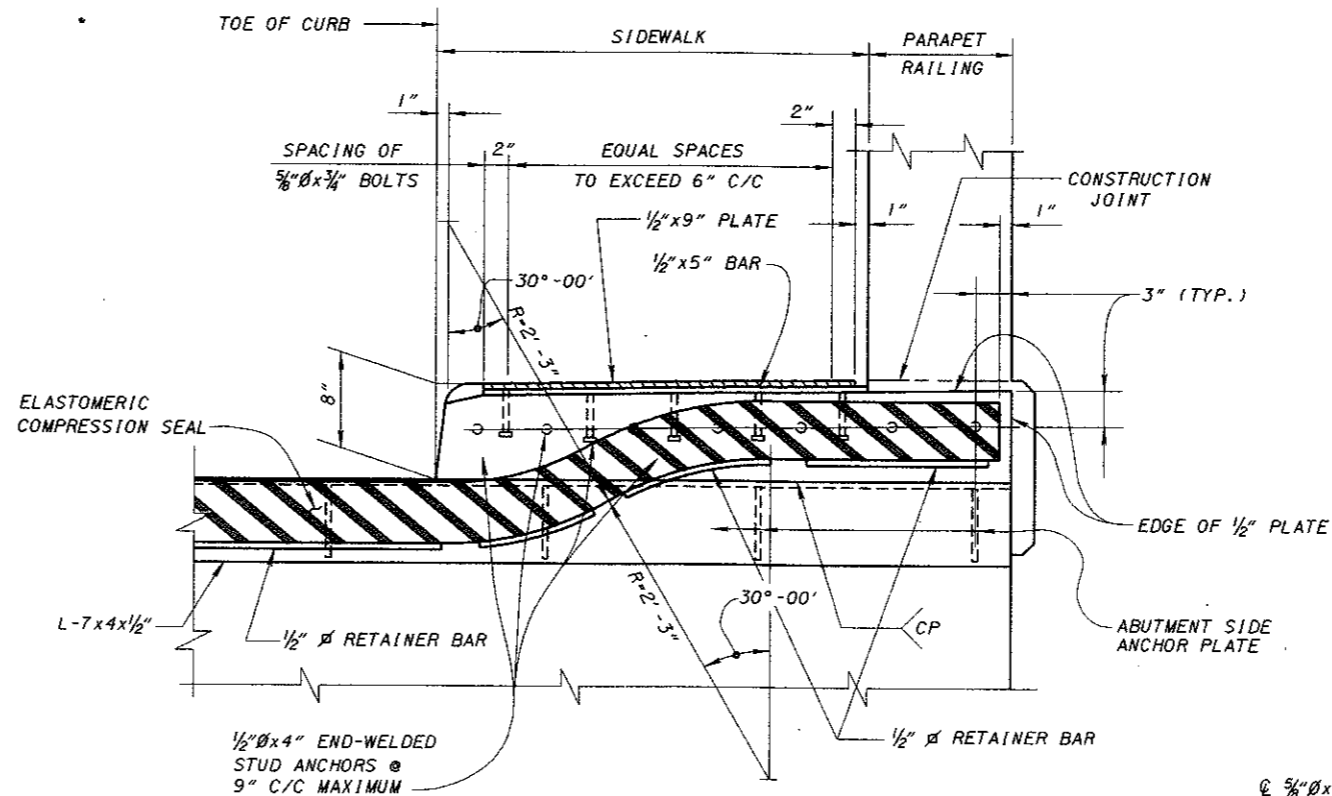
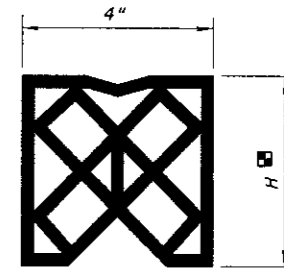


PART PLAN AT ABUTMENT
FOR BRIDGES WITH SIDEWALK PARAPET RAILING

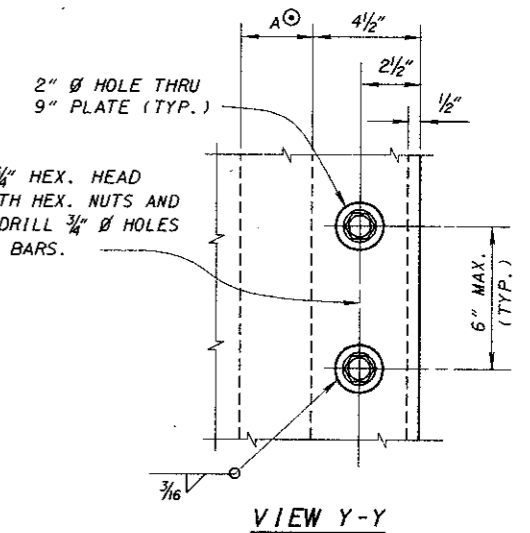


SECTION D-D
SEE SECTION E-E FOR OTHER DETAILS NOT SHOWN

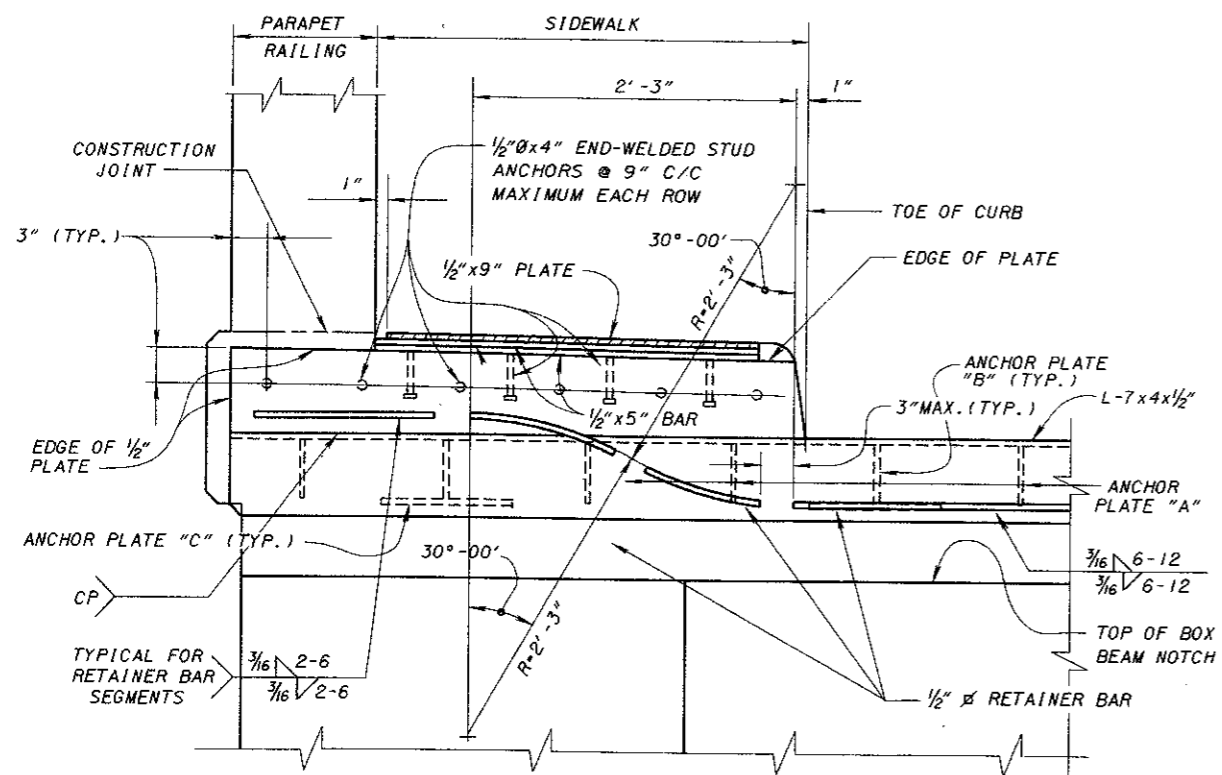


COMPRESSION SEAL DETAIL
D. S. BROWN'S CV4000, WATSON-BOWMAN, ACME'S WJ400, OR AN APPROVED ALTERNATE.

SEE THE MANUFACTURER'S CATALOGUE FOR THE SEAL ACTUALLY CHOSEN FOR USE.



VIEW Y-Y

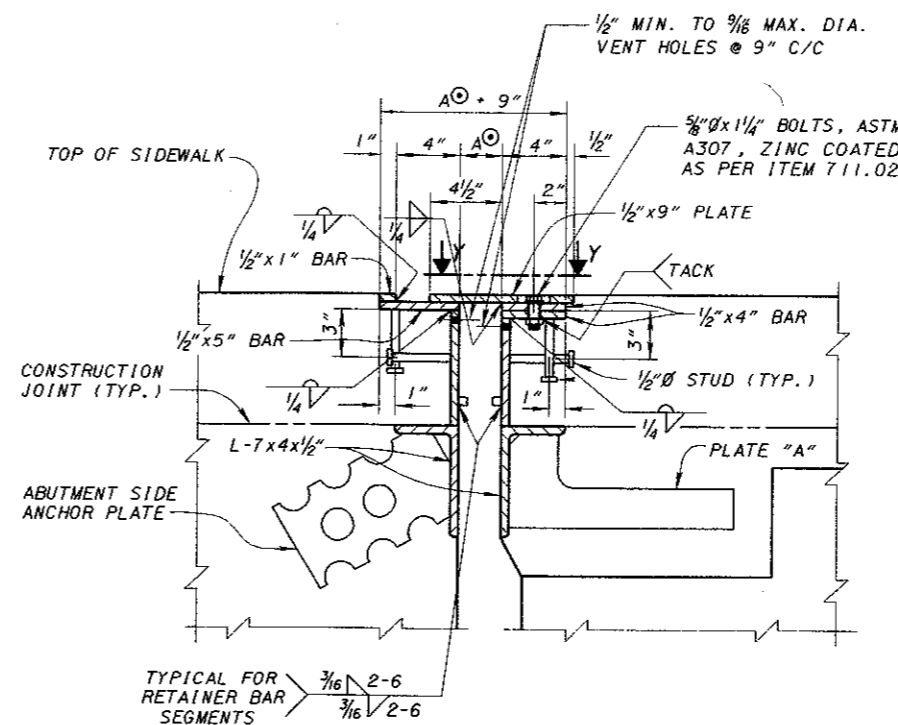


SECTION E-E
SEAL NOT SHOWN

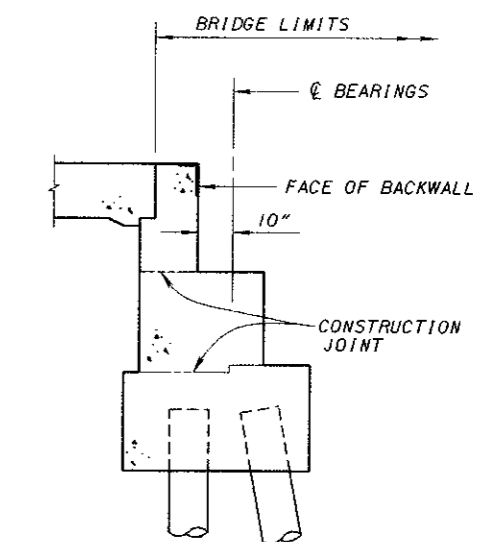
LEGEND:
R = RADIUS

SEE SHEET 1/4 FOR CONSTRUCTION PROCEDURE, SECTION A-A AND ADDITIONAL DETAILS.

SEE SHEET 3/4 FOR GENERAL NOTES AND NOTES TO DESIGNER.



SECTION F-F



ABUTMENT TYPICAL SECTION

DESIGN AGENCY: BUREAU OF BRIDGES AND STRUCTURAL DESIGN
 STATE OF OHIO DEPARTMENT OF TRANSPORTATION
 ENGINEER OF BRIDGES: Robert B. [Signature]
 DATE: 11-15-82
 EXJ-3-82
 STANDARD: COMPRESSION SEAL EXPANSION JOINTS AT ABUTMENTS FOR PRESTRESSED BOX BEAM STRUCTURES
 REVISIONS: 8-1-84 RLD/AJM 2-14-97
 CHECKED: J.S./MPB
 REVIEWED: WTL/RLD
 DRAWN: AJM
 2 / 4