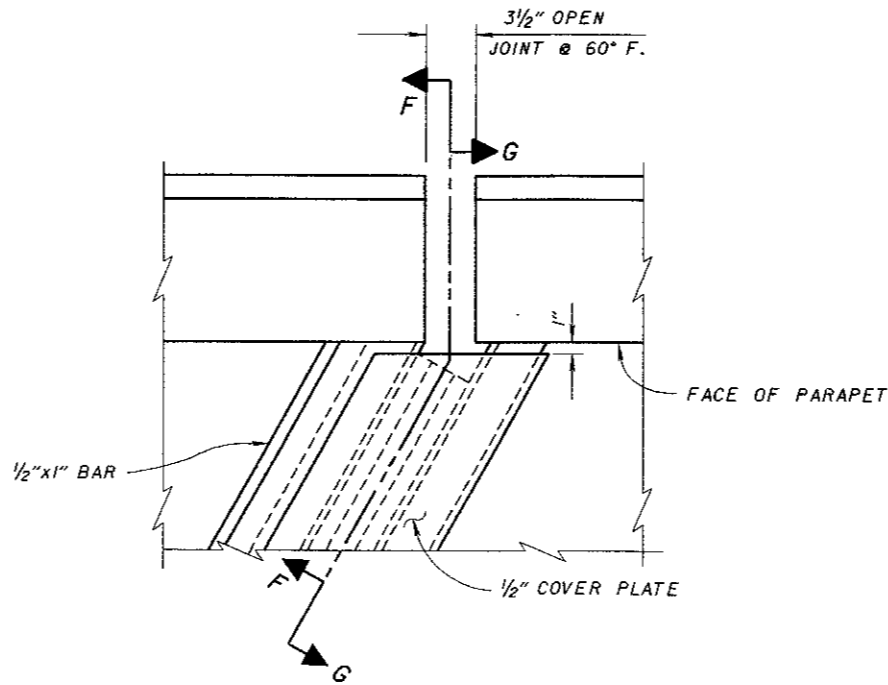
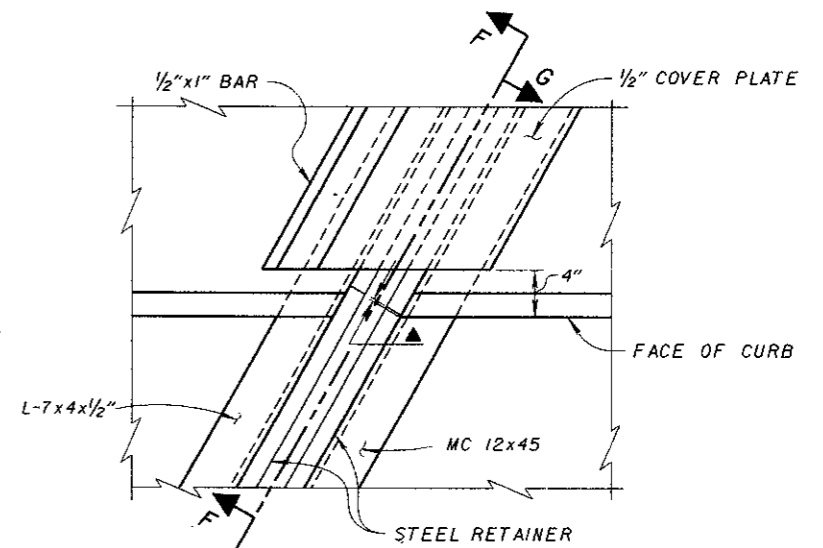


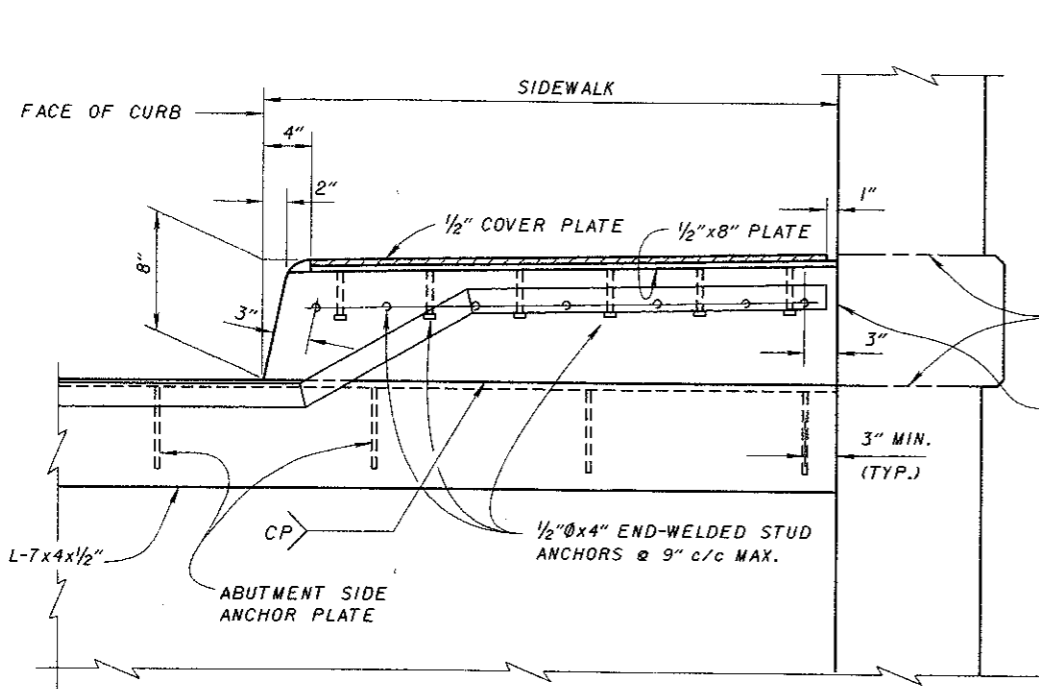
**PART PLAN AT ABUTMENT**  
FOR BRIDGES WITH SIDEWALK  
PARAPET RAILING



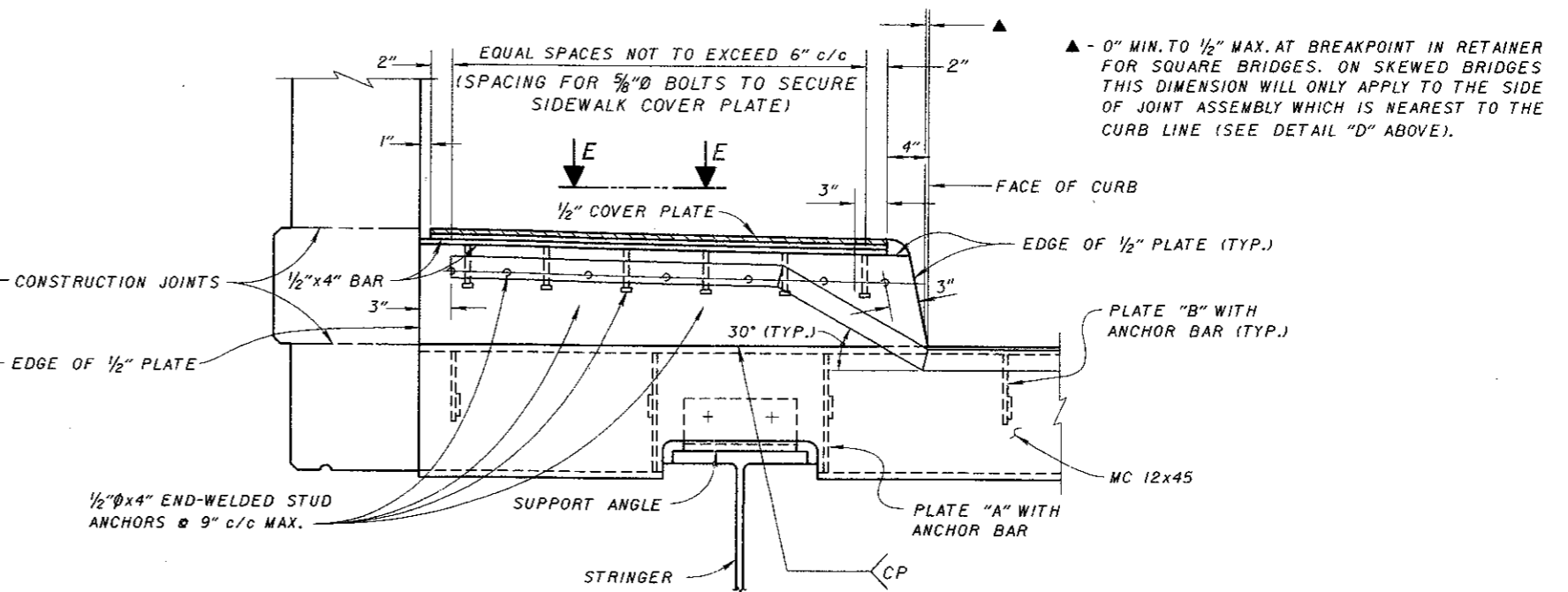
**DETAIL C**



**DETAIL D**



**SECTION F-F**



**SECTION G-G**

FOR VIEW E-E SEE SHEET 4/5

FOR SECTION X-X SEE SHEET 2/5

FOR SECTION Y-Y SEE SHEET 4/5

DESIGN AGENCY	BUREAU OF BRIDGES	AND STRUCTURAL DESIGN
STATE OF OHIO DEPARTMENT OF TRANSPORTATION	DATE	01-20-94
ENGINEER OF BRIDGES	DATE	
REVIEWED	WT/L/LMW	EXJ-4-87
CHECKED	JS	
DESIGNED	AJM	
REVISIONS	11-12-93	
	2-14-97	
STANDARD	STRIP SEAL EXPANSION JOINTS	
	STEEL STRINGER STRUCTURES	
3	5	