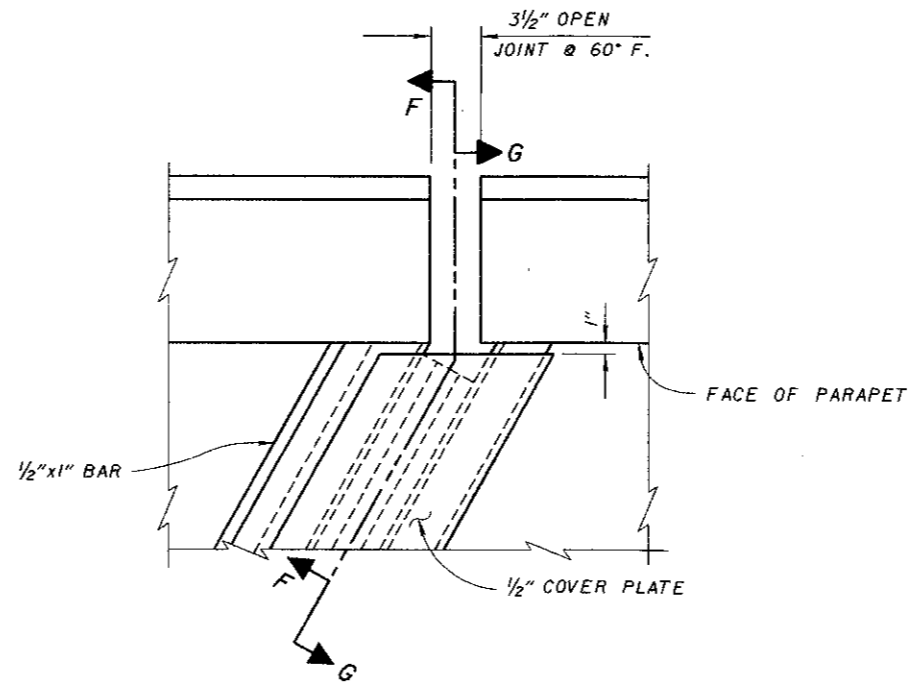
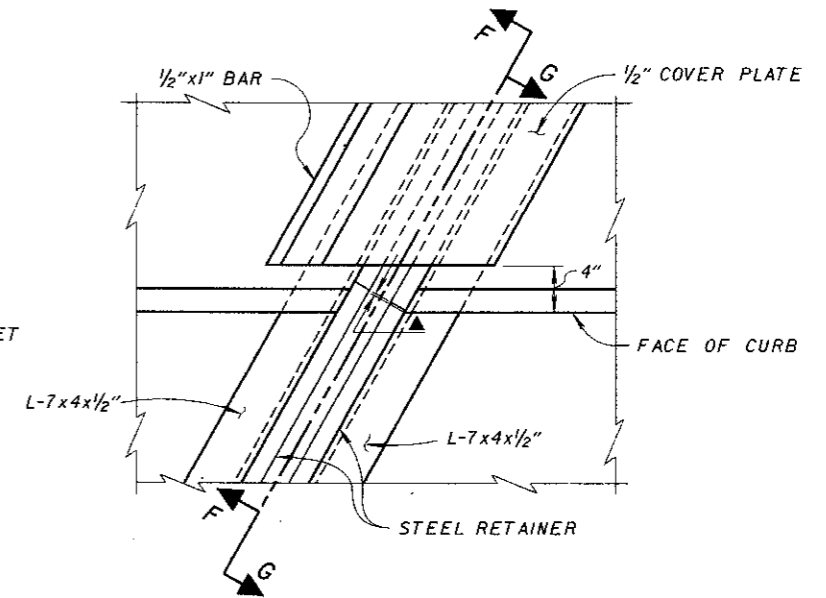


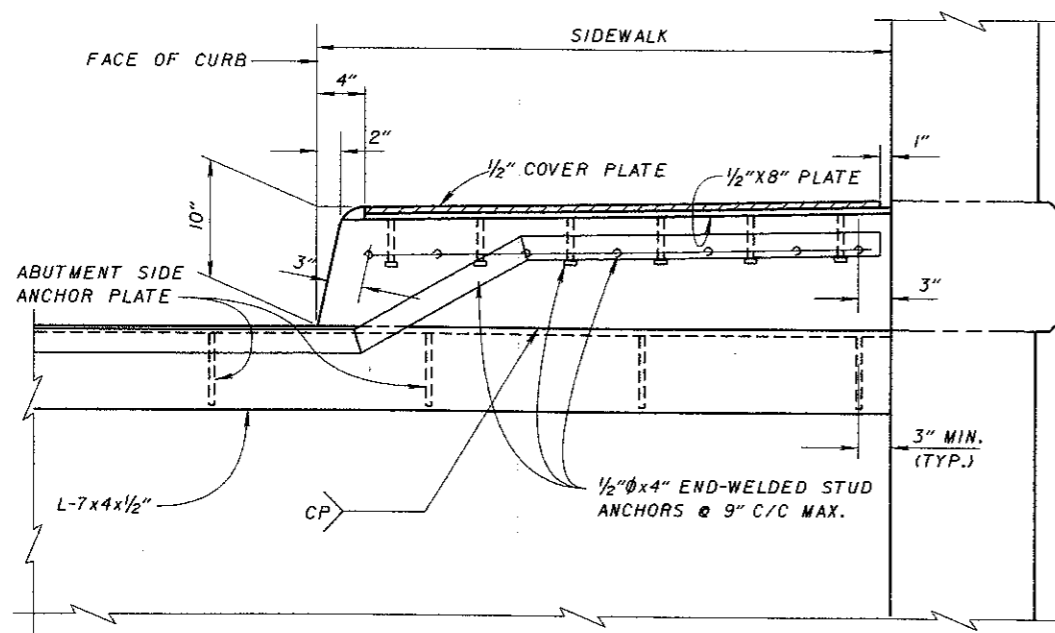
PART PLAN AT ABUTMENT
FOR BRIDGES WITH SIDEWALK
PARAPET RAILING



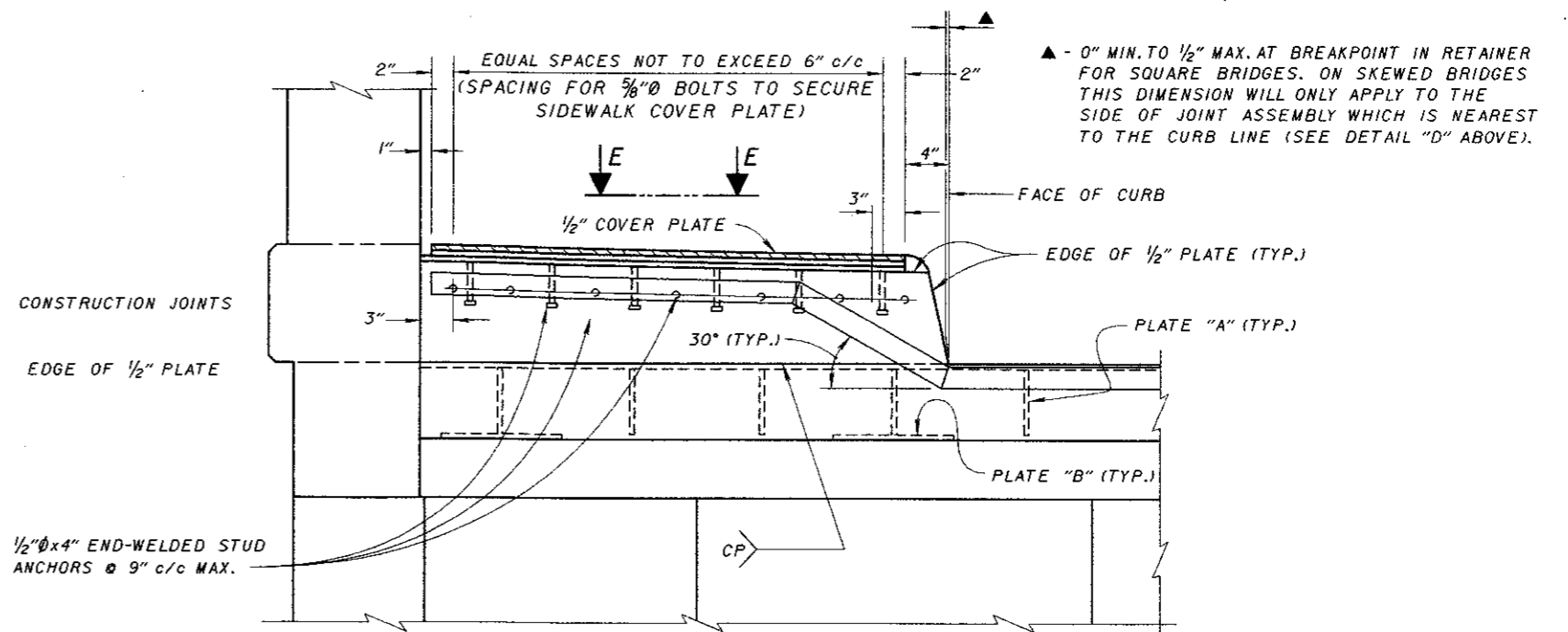
DETAIL C



DETAIL D



SECTION F-F



SECTION G-G

FOR VIEW E-E SEE SHEET 4/5.

FOR SECTION X-X SEE SHEET 2/5.

FOR SECTION Y-Y SEE SHEET 4/5.

DESIGN AGENCY BUREAU OF BRIDGES AND STRUCTURAL DESIGN	STATE OF OHIO DEPARTMENT OF TRANSPORTATION 01-20-94 DATE	ENGINEER OF BRIDGES B. D. [Signature]	REVIEWED WTL/LWN	EXJ-5-93
			CHECKED JS	DESIGNED AJM
STANDARD STRIP SEAL EXPANSION JOINTS CONCRETE BOX BEAM STRUCTURES			REVISIONS 2-14-97	
			3	5