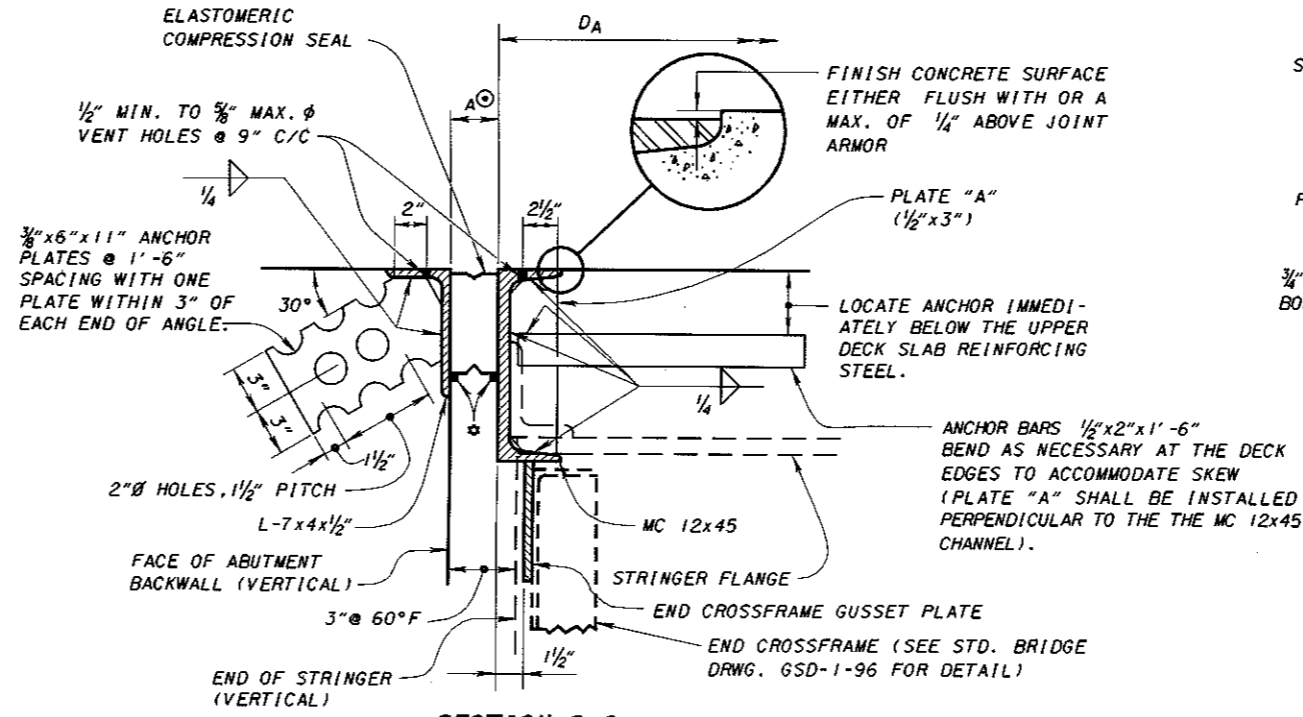


PART PLAN AT ABUTMENT

FOR BRIDGES WITH DEFLECTOR PARAPET RAILING
(BR-1 RAILING SHOWN, SBR-1-99 SHALL BE SIMILAR)

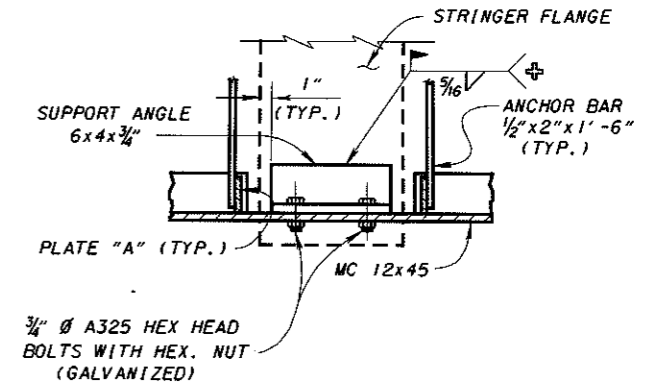


SECTION C-C

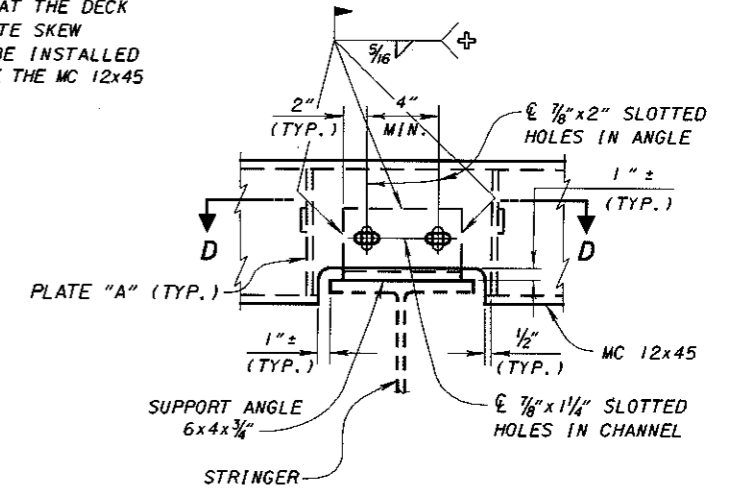
WITH ROADWAY GRADIENT OF 2% OR LESS SHOWN

NOTE: FOR DIMENSIONS A[⊙], D_A, ADDITIONAL NOTES AND DETAILS SEE SHEETS 2/3 AND 3/3.

* - 1/2" RETAINER BAR

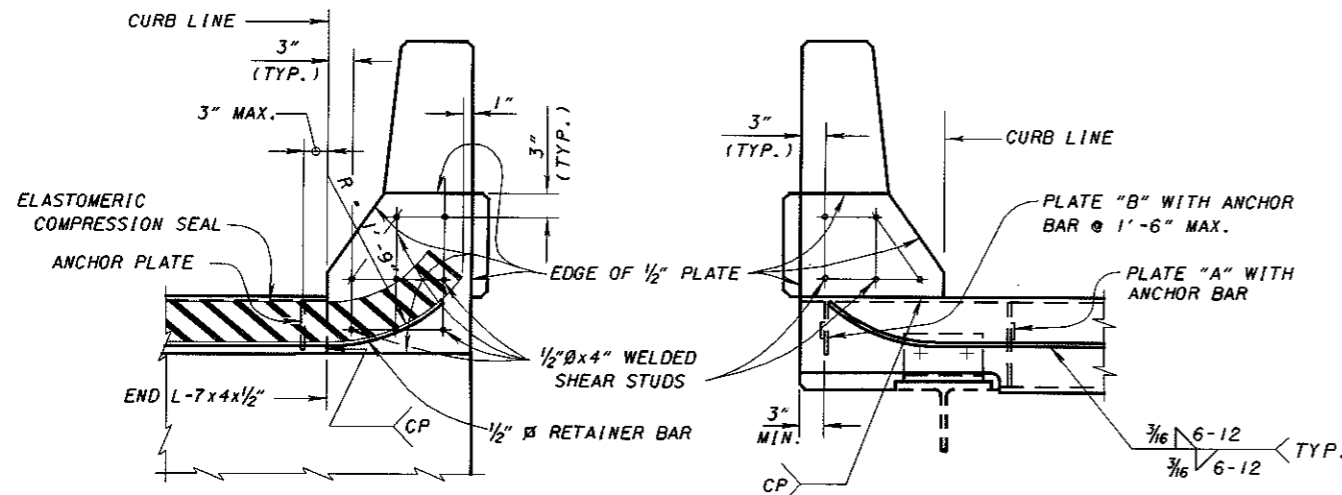


SECTION D-D



DETAIL E

⊕ - WELD AFTER FINAL ADJUSTMENT AND REPAIR COATING.

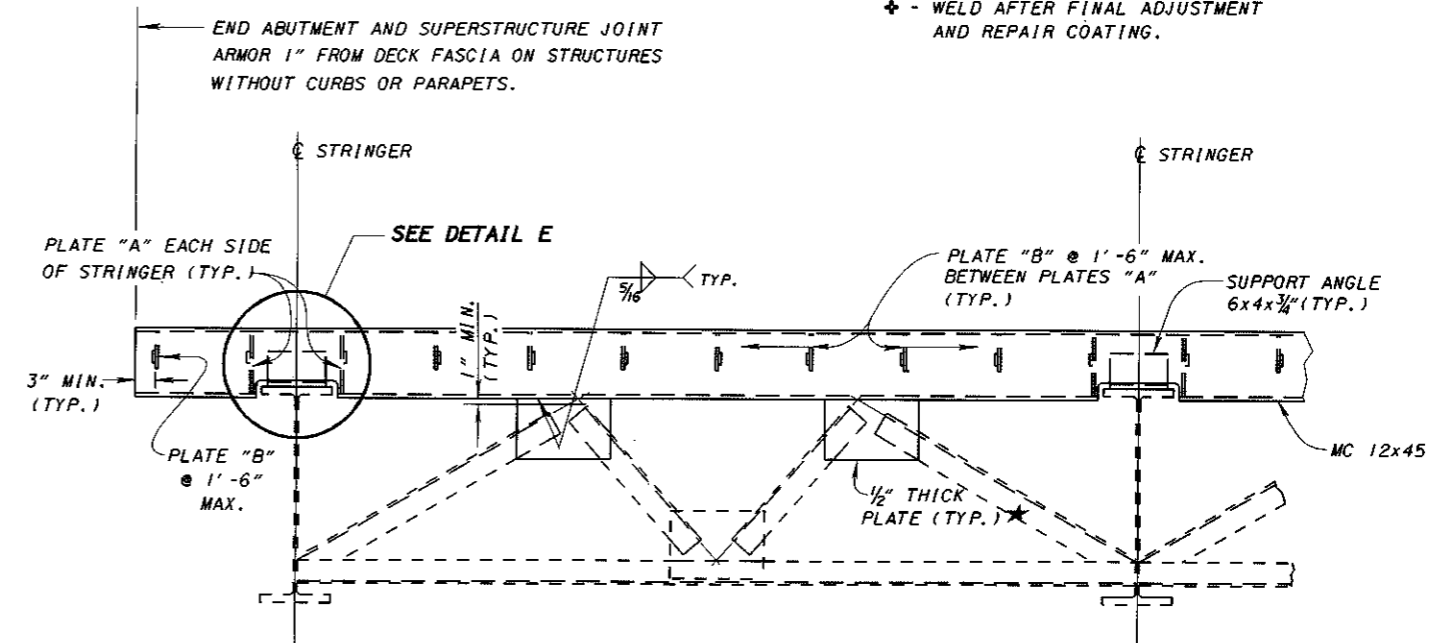


SECTION A-A

SECTION B-B

NOTE: SEAL NOT SHOWN

SEE SHEET 3/3 FOR GENERAL NOTES AND CONSTRUCTION PROCEDURES.



PART TRANSVERSE SECTION

SEE STANDARD BRIDGE DRAWING GSD-1-96 FOR DETAILS OF END CROSSFRAMES AND GUSSET PLATES. SEE SECTION G-G ON SHEET 2/3 FOR PLATE B DETAILS.

* INCLUDED WITH EXPANSION JOINT FOR COATING & PAYMENT.

LEGEND:
R - RADIUS

DESIGN AGENCY
OFFICE OF
STRUCTURAL ENGINEERING

STATE OF OHIO, DEPARTMENT OF TRANSPORTATION
9-1-81 DATE
Robert B. Taylor
ENGINEER OF BRIDGES

REVIEWED	WTL/MPB
CHECKED	JS/RLD
DESIGNED	MPB/AJM
DRAWN	AJM

EJ-2-81

STANDARD
COMPRESSION SEAL EXPANSION
JOINTS AT ABUTMENTS FOR
STEEL STRINGER STRUCTURES