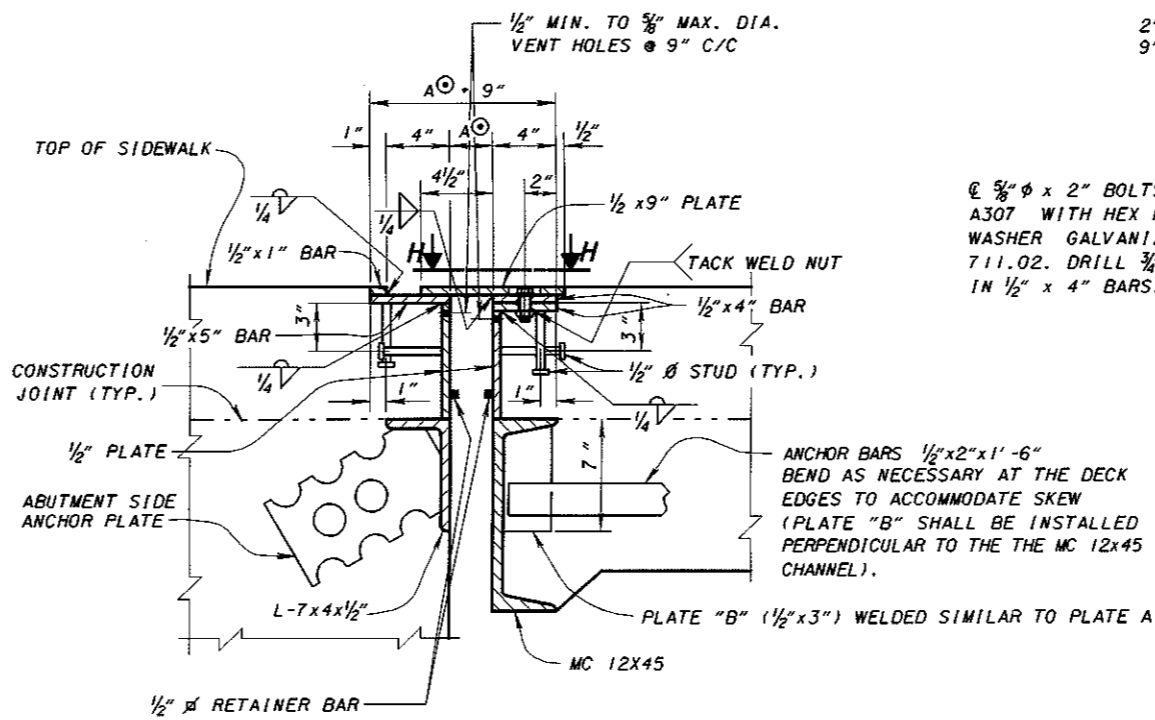
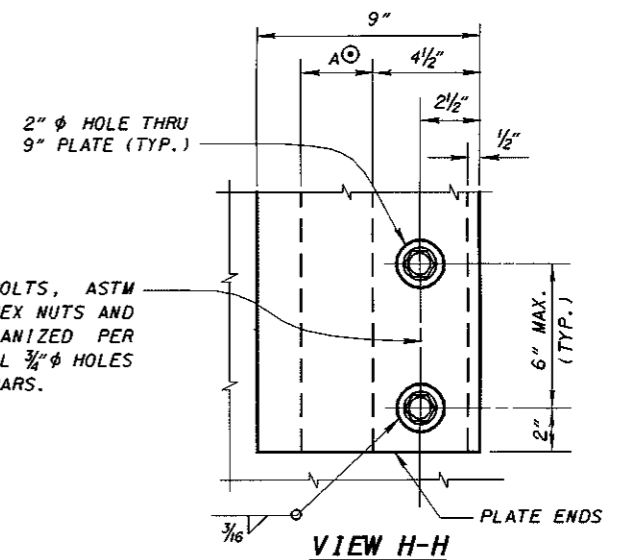


PART PLAN AT ABUTMENT
FOR BRIDGES WITH SIDEWALK PARAPET RAILING



SECTION G-G

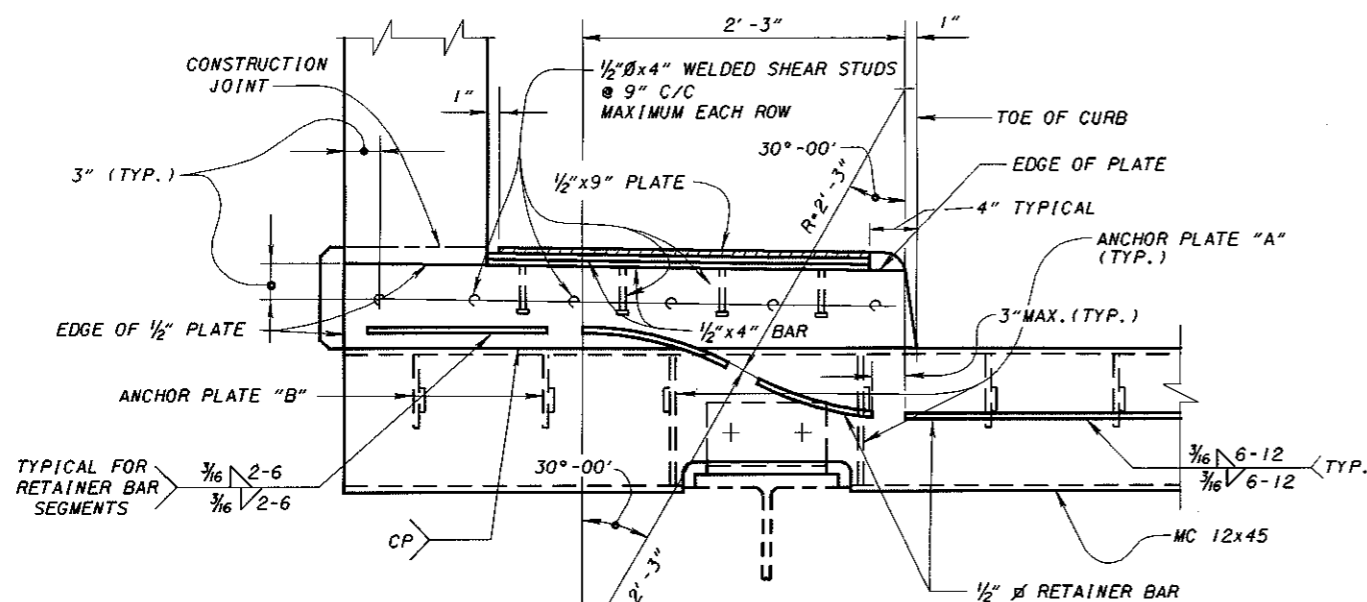
NOTE: FOR DIMENSIONS A \odot , D Δ , ADDITIONAL NOTES AND DETAILS SEE SHEETS 1/3 AND 3/3.



2" ϕ HOLE THRU 9" PLATE (TYP.)

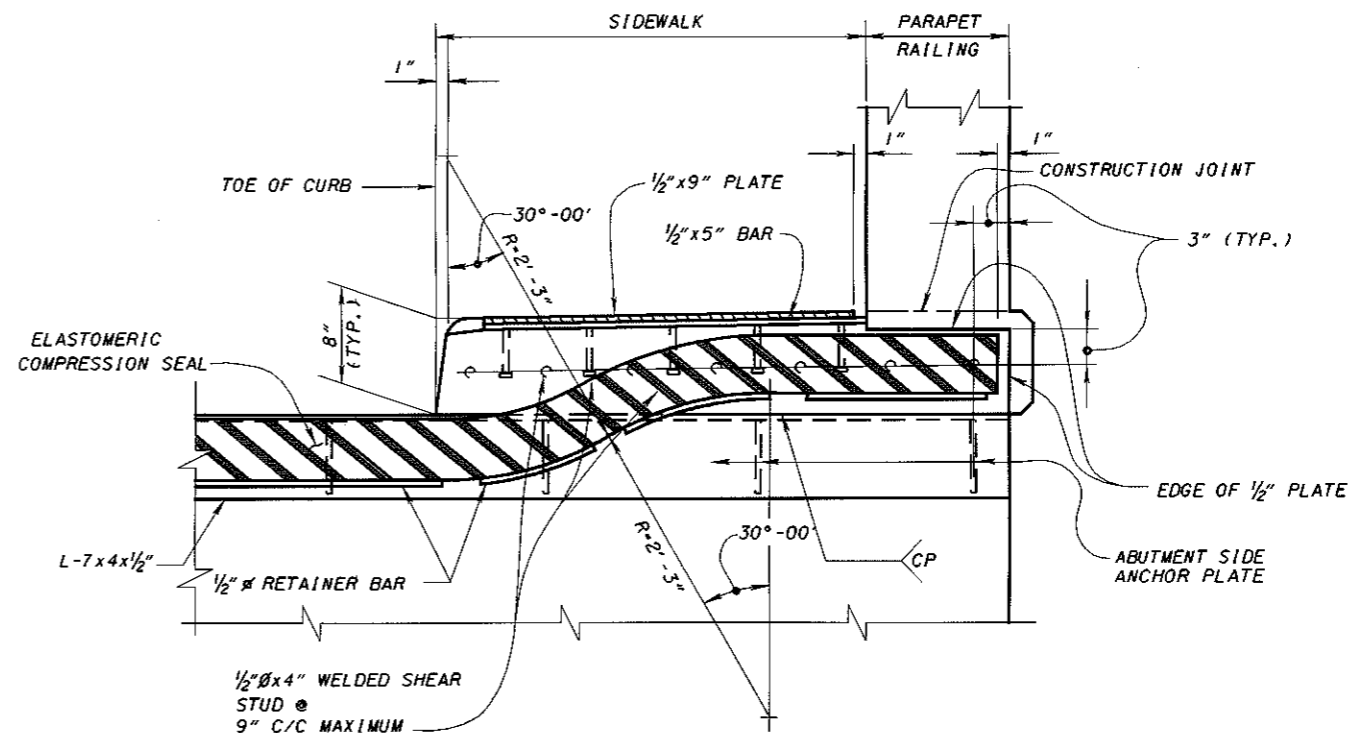
$\odot \frac{3}{8}</math> ϕ x 2" BOLTS, ASTM A307 WITH HEX NUTS AND WASHER GALVANIZED PER 711.02. DRILL $\frac{3}{4}</math> ϕ HOLES IN $\frac{1}{2}</math> x 4" BARS.$$$

VIEW H-H



SECTION E-E
SEAL NOT SHOWN

SEE SECTION F-F FOR OTHER DETAILS NOT SHOWN



SECTION F-F

SEE SECTION E-E FOR OTHER DETAILS NOT SHOWN

LEGEND:

R - RADIUS

FOR ADDITIONAL DETAILS, SEE DETAIL E ON SHEET 1/3.

FOR SECTION C-C SEE SHEET 1/3.

SEE SHEET 3/3 FOR GENERAL NOTES AND FOR CONSTRUCTION PROCEDURES.