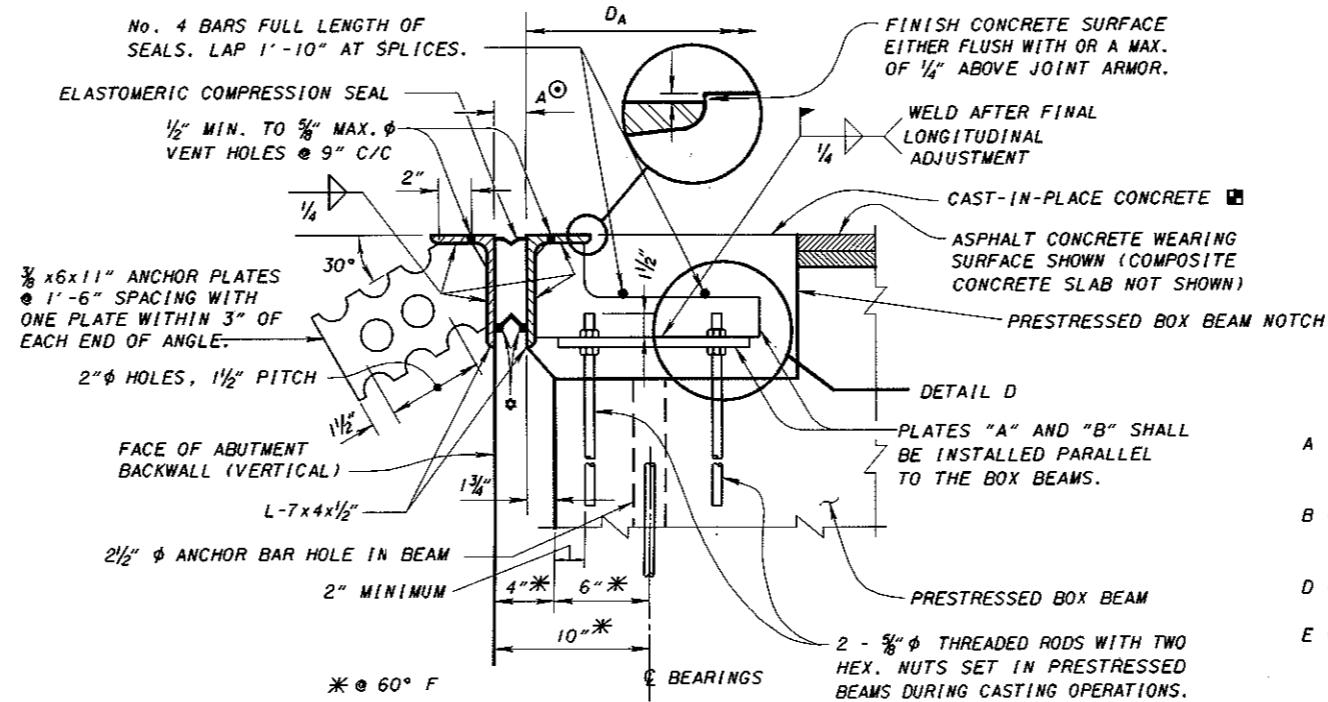


PART PLAN AT ABUTMENT
FOR BRIDGES WITH DEFLECTOR PARAPET RAILING
(BR-1 RAILING SHOWN, SBR-1-99 SHALL BE SIMILAR)

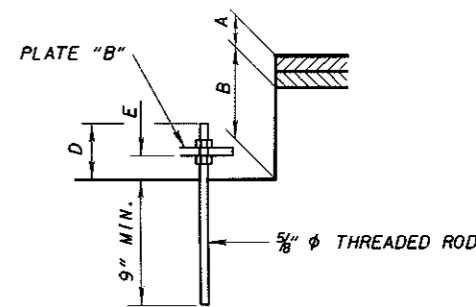


SECTION C-C

WITH ROADWAY GRADIENT OF 2% OR LESS SHOWN

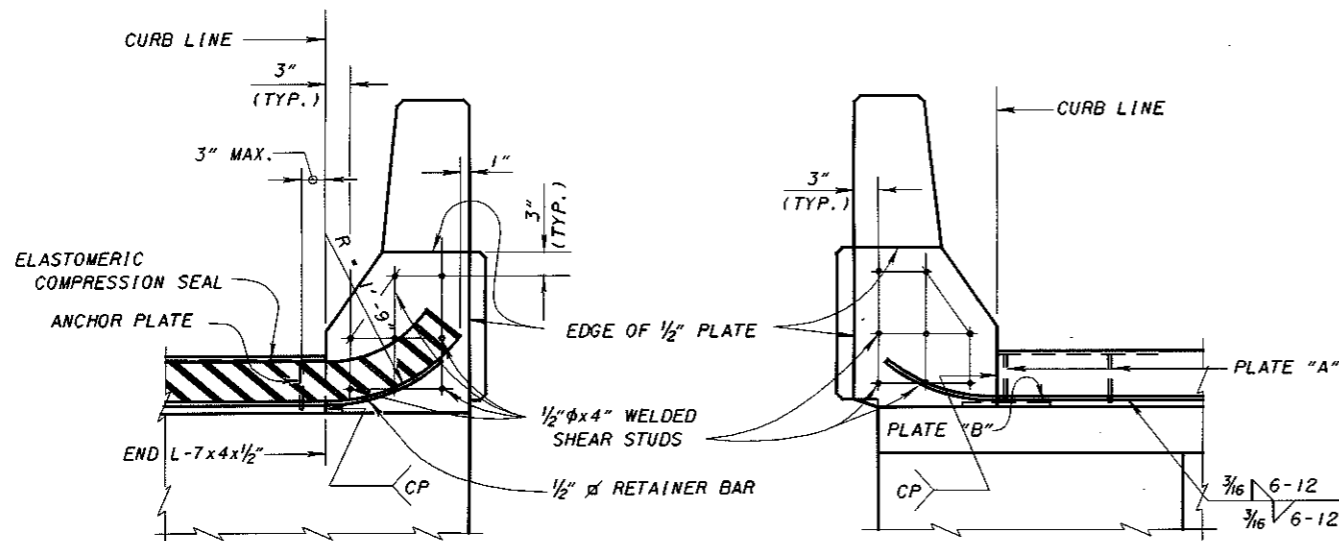
NOTE: FOR DIMENSIONS A[⊙], D_A, ADDITIONAL[⊙] NOTES AND DETAILS SEE SHEET 4/4.

* - 1/2" RETAINER BAR



DETAIL D

- A = ASPHALT CONCRETE WEARING SURFACE THICKNESS (OR COMPOSITE SLAB THICKNESS) AT NOTCH.
- B = 5" NOTCH FOR 17" BEAMS OR 7" NOTCH FOR 21" THRU 42" BEAMS.
- D = A + B - 4" (SHALL BE SHOWN ON THE PROJECT PLANS)
- E = A + B - 6" (IF DIM. "E" IS LESS THAN 3", A BED OF NON-SHRINK GROUT, CMS 705.22, SHALL BE PLACED AND COMPACTED UNDER EACH PLATE "B" AFTER FINAL VERTICAL ADJUSTMENT.)
- ▣ - SURFACE TEXTURE ON DECK JOINTS SHALL BE PARALLEL WITH THE JOINT FOR SKEWED BRIDGES WITH ASPHALT CONCRETE WEARING SURFACE. CONCRETE SHALL BE CLASS "S" OR SHALL MATCH THE CONCRETE SPECIFIED IN THE PLANS FOR A COMPOSITE DECK.



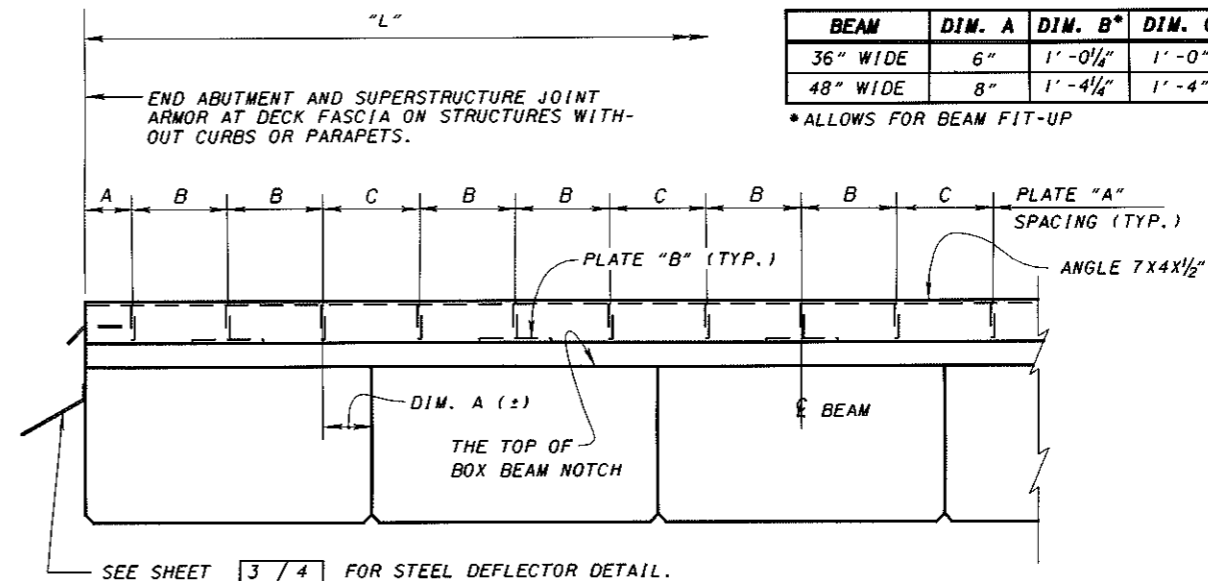
SECTION A-A

SECTION B-B

LEGEND:
R = RADIUS

SEE SHEET 4/4 FOR NOTES AND PLATES A & B

★ SEE STEEL DRIP STRIP STANDARD BRIDGE DRAWING (NOT INCLUDED WITH EXPANSION JOINT FOR PAYMENT.)



NOTE: WHERE THE TOTAL WIDTH OUT TO OUT OF BOX BEAMS IS EQUAL TO THE BRIDGE ROADWAY WIDTH, JOINT ARMOR SHALL BE OF SUFFICIENT LENGTH TO ALLOW FOR FIT-UP OF BEAMS. SEE FORMULA FOR LENGTH "L".

L = LENGTH OF JOINT, EDGE TO EDGE OF DECK (FEET)
 = [(N-1)(1/2) + N(W)] / (12 COS Θ)
 N = NUMBER OF BEAMS
 W = NOMINAL WIDTH OF BEAMS (INCHES)
 Θ = SKEW ANGLE OF JOINT

END OF SUPERSTRUCTURE
WITHOUT CURBS OR PARAPETS

DESIGN AGENCY: OFFICE OF STRUCTURAL ENGINEERING
 STATE OF OHIO DEPARTMENT OF TRANSPORTATION
 11-15-82 DATE
 Robert B. [Signature] ENGINEER OF BRIDGES
 EXJ-3-82
 REVISIONS: 8-1-84, 2-14-97, 04-20-01
 CHECKED: JS/MPB, WTL/RLD
 DESIGNED: RLD/AJM, AJW
 STANDARD COMPRESSION SEAL EXPANSION JOINTS AT ABUTMENTS FOR PRESTRESSED BOX BEAM STRUCTURES
 1 / 4