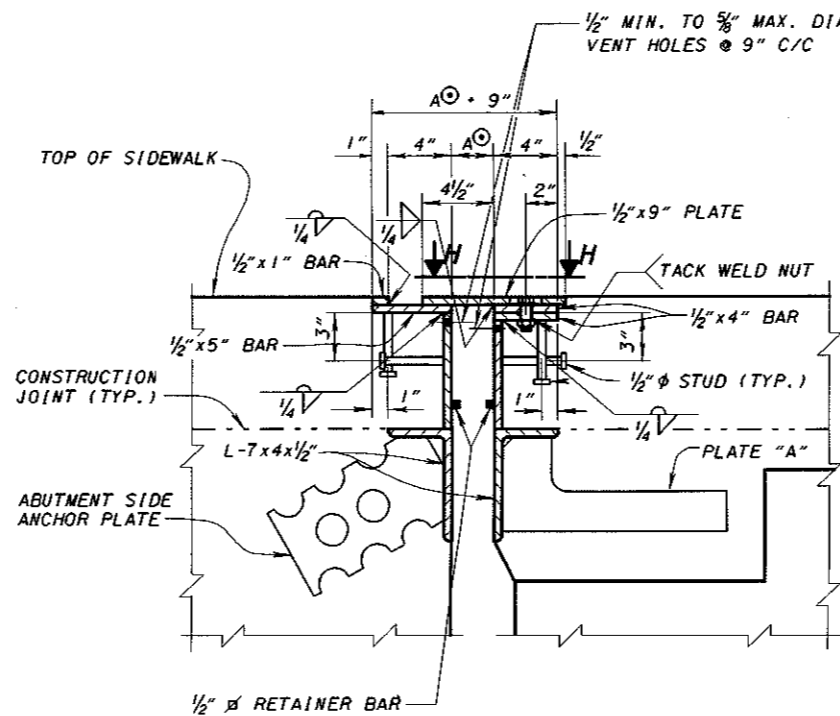


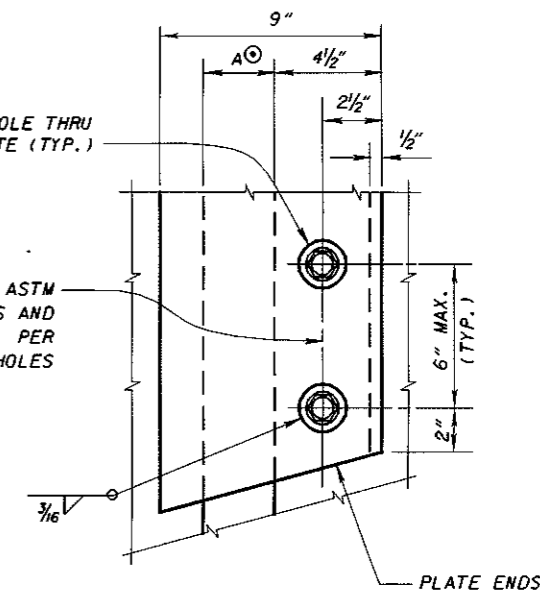
PART PLAN AT ABUTMENT
FOR BRIDGES WITH SIDEWALK PARAPET RAILING

SEE SHEET **1 / 4** FOR SECTION C-C.

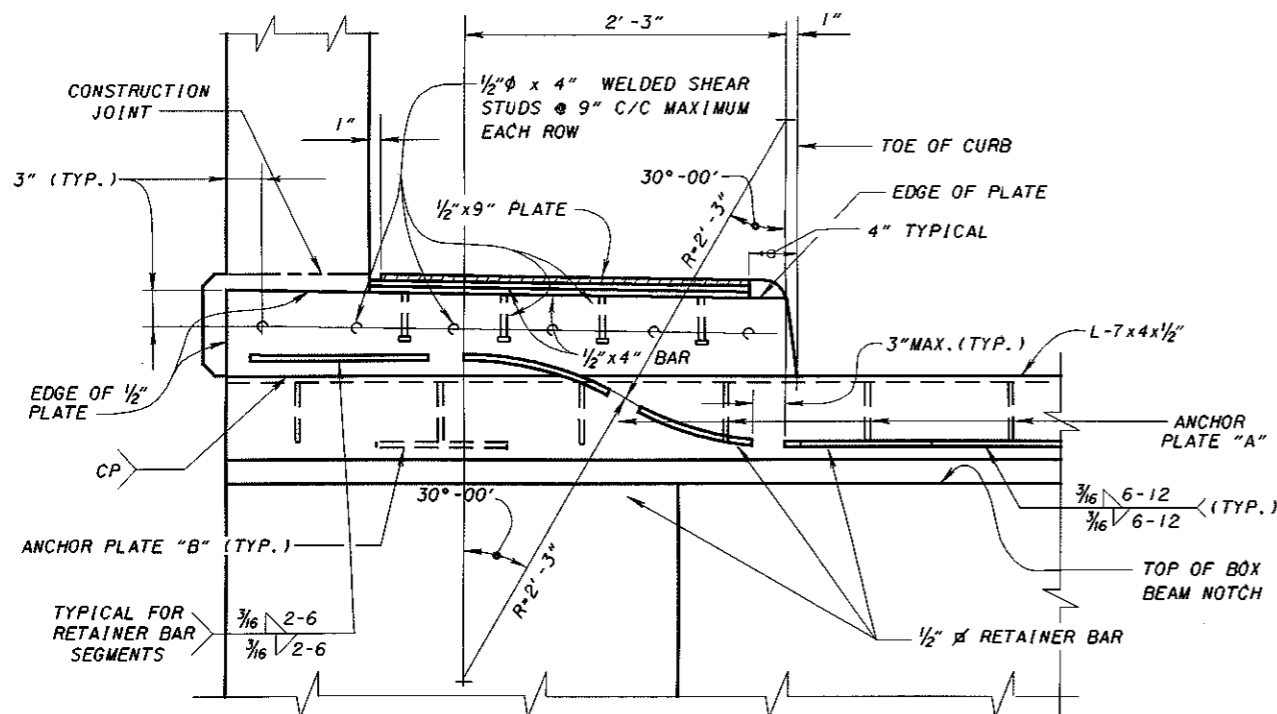


SECTION G-G

NOTE: FOR DIMENSION A[⊙], ADDITIONAL NOTES AND DETAILS, SEE SHEET **4 / 4**.



VIEW H-H



SECTION E-E

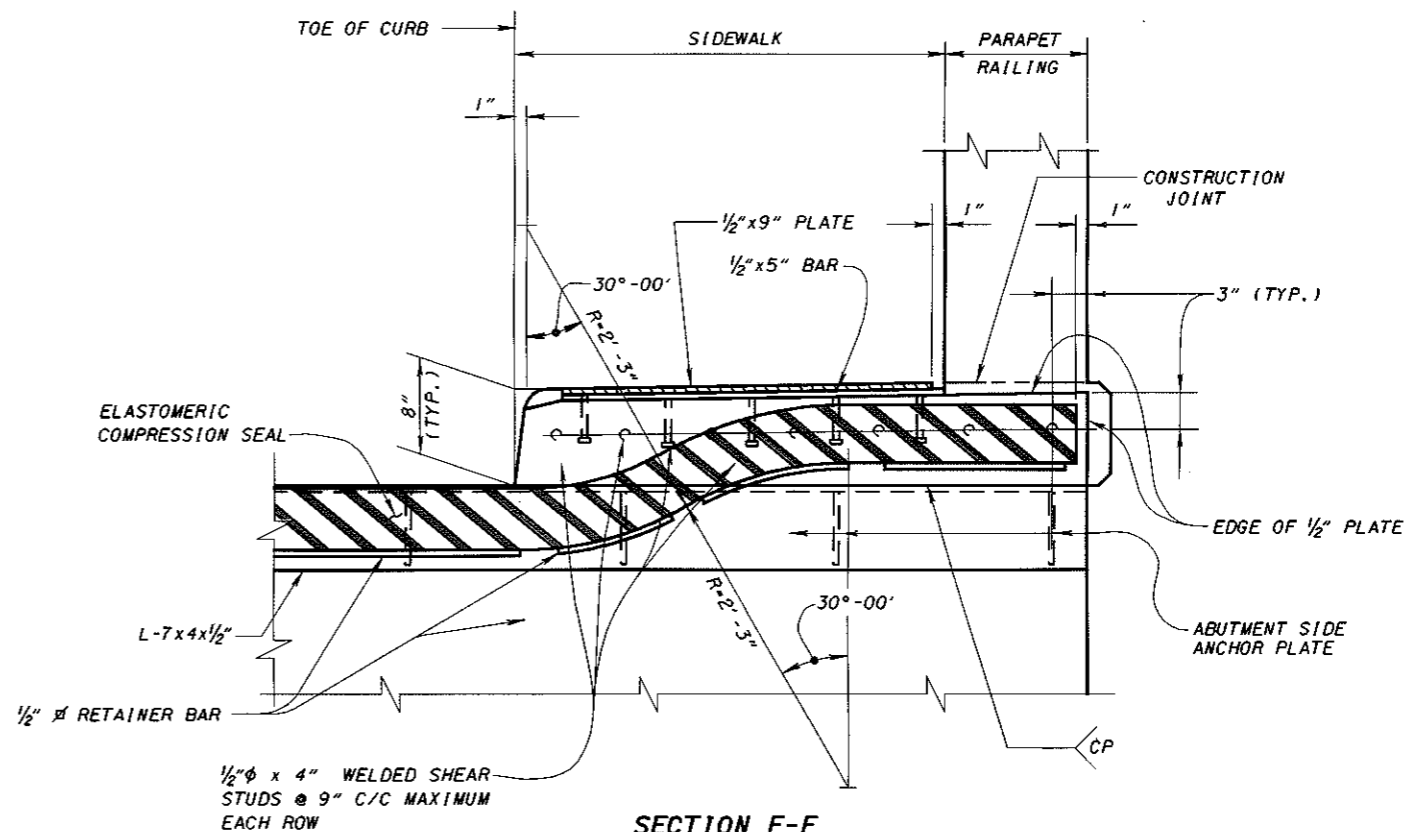
SEAL NOT SHOWN

SEE SECTION F-F FOR OTHER DETAILS NOT SHOWN

LEGEND:
R - RADIUS

SEE SHEET **4 / 4** FOR NOTES AND PLATES A & B.

SEE SHEET **1 / 4** FOR ADDITIONAL DETAILS.



SECTION F-F

SEE SECTION E-E FOR OTHER DETAILS NOT SHOWN