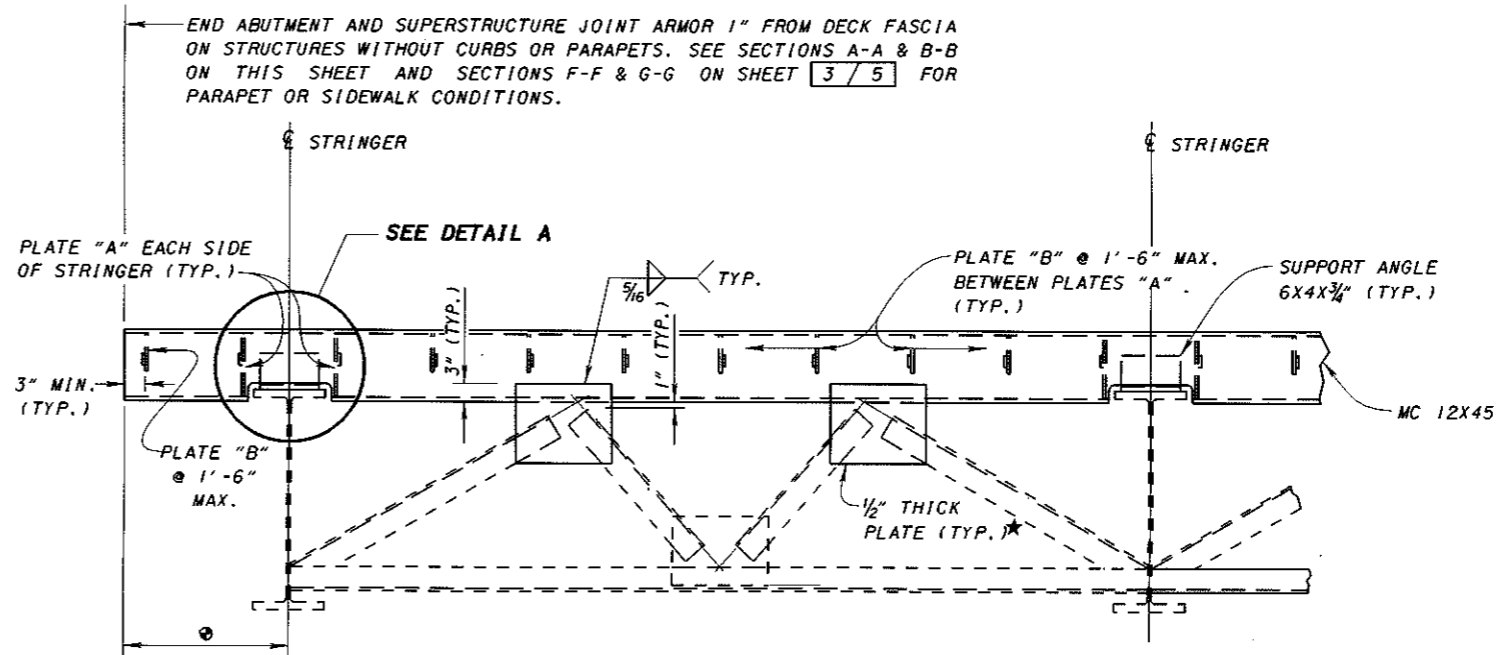


PART PLAN AT ABUTMENT

FOR SQUARE OR LOW SKEWED (15° OR LESS) BRIDGES WITH DEFLECTOR PARAPET RAILING (BR-1 RAILING IS SHOWN, SBR-1-99 SHALL BE SIMILAR)

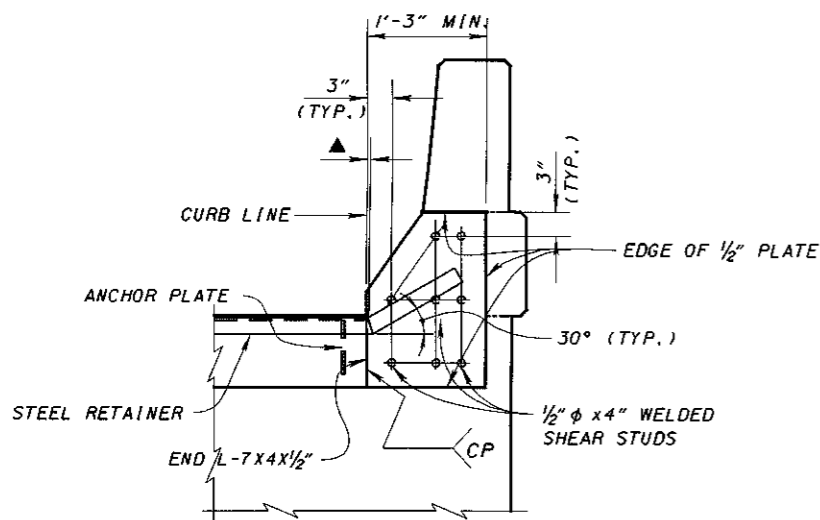


PART TRANSVERSE SECTION

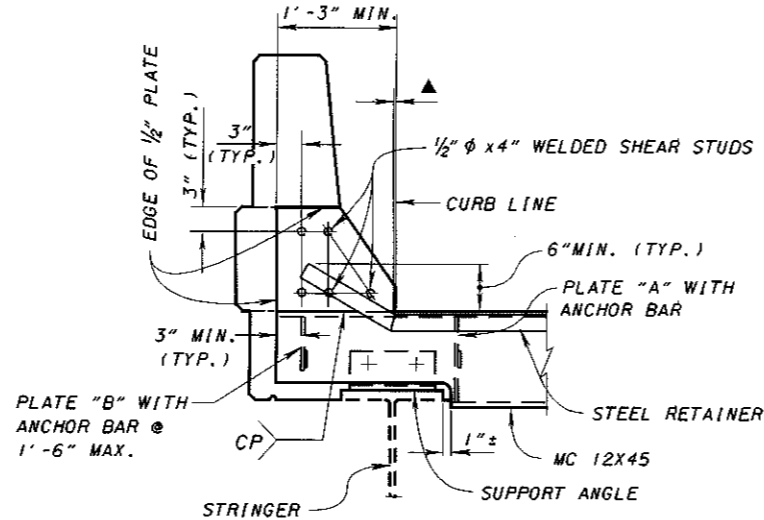
SEE STD. BRIDGE DWG. GSD-1-96 FOR DETAILS OF END CROSSFRAMES AND GUSSET PLATES.

★ - INCLUDED WITH EXPANSION JOINT FOR COATING & PAYMENT.

⊕ - FOR CANTILEVERS LESS THAN 2'-6", PLATE "A" MAY BE OMITTED AND THE BOTTOM LEG OF THE CHANNEL MAY BE TRIMMED TO THE END AS SHOWN IN SECTION B-B.

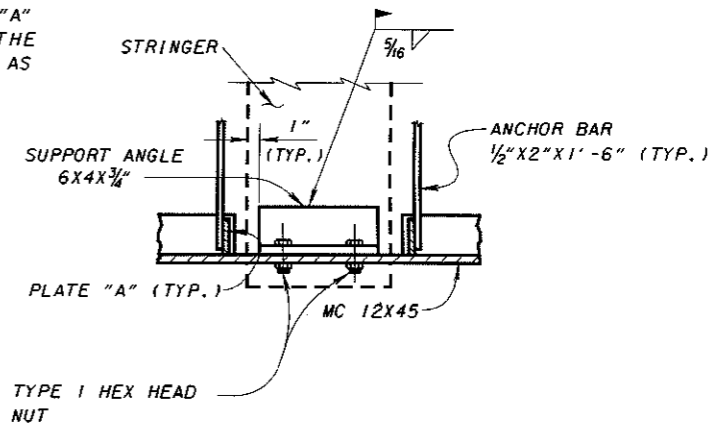


SECTION A-A



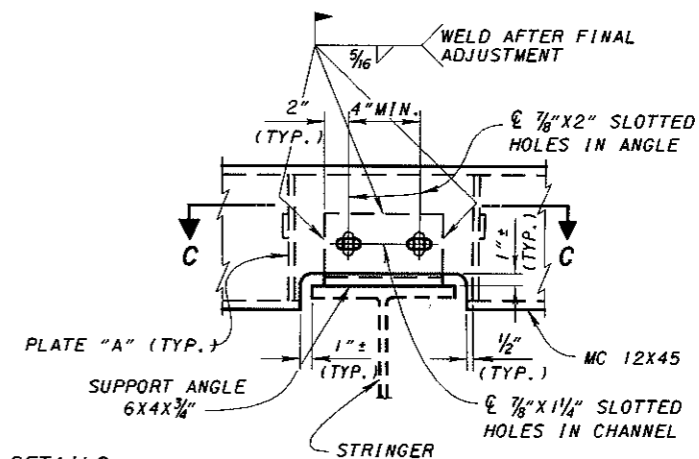
SECTION B-B

▲ - 0" MIN. TO 1/2" MAX. AT BREAKPOINT IN RETAINER FOR SQUARE BRIDGES. ON SKEWED BRIDGES THIS DIMENSION WILL ONLY APPLY TO THE SIDE OF JOINT ASSEMBLY WHICH IS NEAREST TO THE CURB LINE (SEE SHEET 2/5).



SECTION C-C

3/4" φ ASTM A325 TYPE 1 HEX HEAD BOLTS WITH HEX NUT



DETAIL A

SEE SHEET 2/5 FOR SECTION X-X INCLUDING PLATE "A" DETAILS

SEE SHEET 2/5 FOR SECTION Y-Y INCLUDING PLATE "B" DETAILS

DESIGN AGENCY	OFFICE OF	STRUCTURAL ENGINEERING
STATE OF OHIO DEPARTMENT OF TRANSPORTATION	DATE	01-20-94
ENGINEER OF BRIDGES	DATE	01-20-94
DESIGNED	DESIGNED	DESIGNED
BY: AJM	BY: GFI/AJM	BY: GFI/AJM
CHECKED	CHECKED	CHECKED
BY: JS	BY: JS	BY: JS
REVIEWED	REVIEWED	REVIEWED
BY: WTL/LMW	BY: WTL/LMW	BY: WTL/LMW
STANDARD	STANDARD	STANDARD
STRIP SEAL EXPANSION JOINTS	STRIP SEAL EXPANSION JOINTS	STRIP SEAL EXPANSION JOINTS
STEEL STRINGER STRUCTURES	STEEL STRINGER STRUCTURES	STEEL STRINGER STRUCTURES
EXJ-487	EXJ-487	EXJ-487
REVISIONS	REVISIONS	REVISIONS
11-12-93	2-14-97	04-20-01
1	5	5