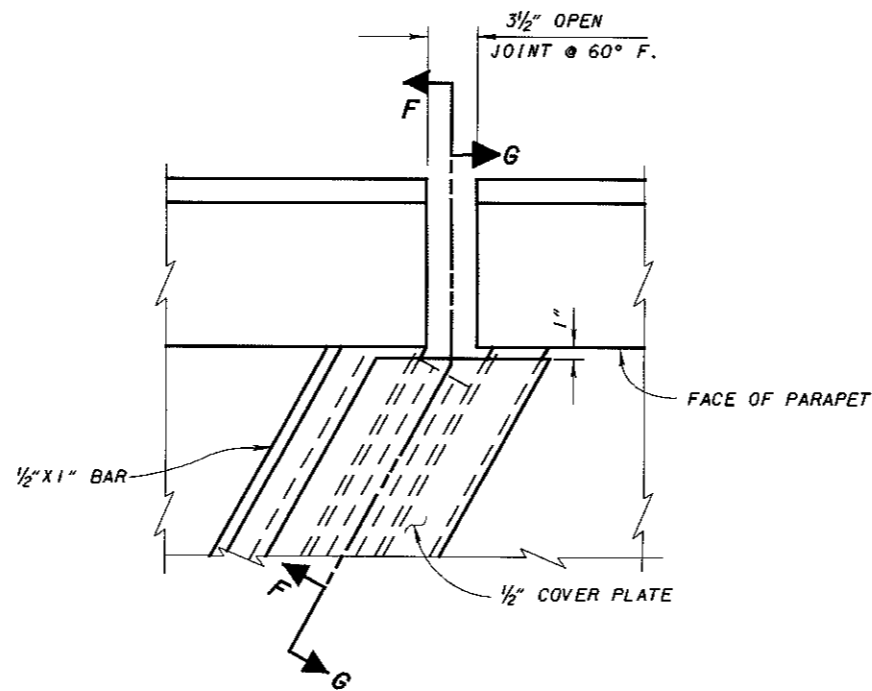
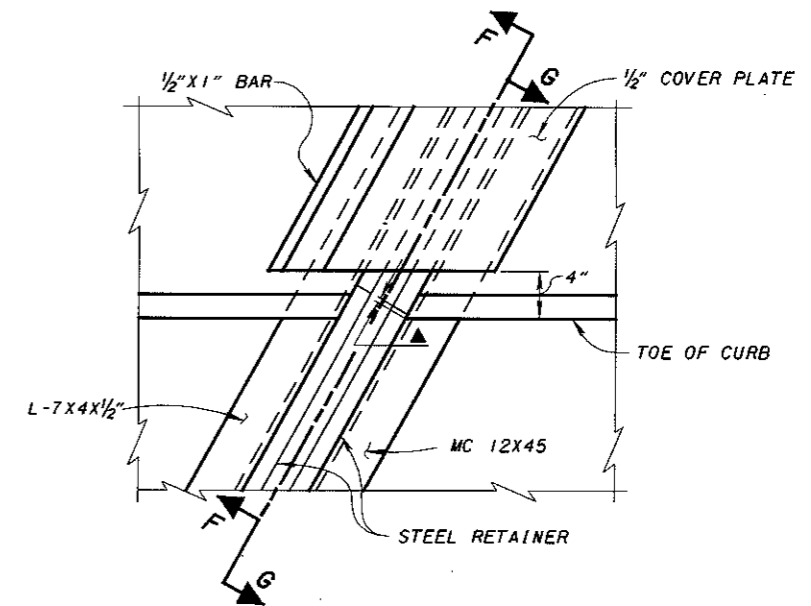


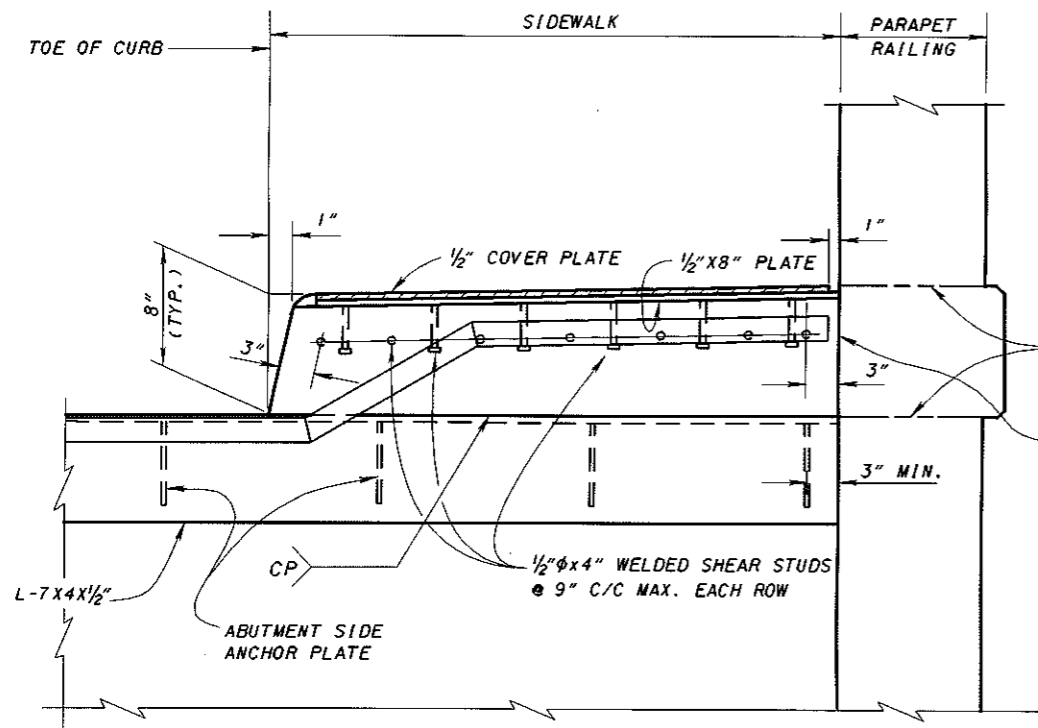
**PART PLAN AT ABUTMENT
FOR BRIDGES WITH SIDEWALK
PARAPET RAILING**



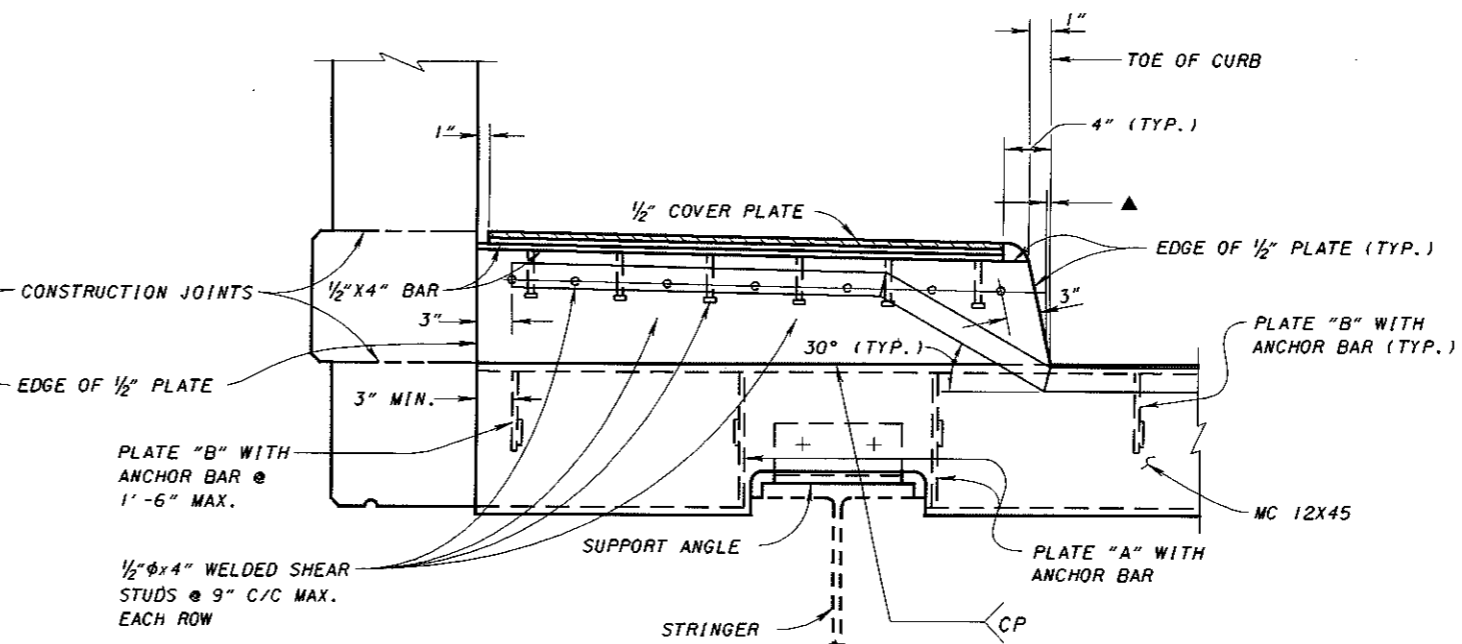
DETAIL C



DETAIL D



SECTION F-F



SECTION G-G

▲ - 0" MIN. TO 1/2" MAX. AT BREAKPOINT IN RETAINER FOR SQUARE BRIDGES. ON SKEWED BRIDGES THIS DIMENSION WILL ONLY APPLY TO THE SIDE OF JOINT ASSEMBLY WHICH IS NEAREST TO THE CURB LINE (SEE DETAIL "D" ABOVE).

FOR ADDITIONAL DETAILS, SEE DETAIL A ON SHEET 1 / 5 .

FOR SECTION X-X SEE SHEET 2 / 5 .

FOR SECTION Y-Y SEE SHEET 4 / 5 .

DESIGN AGENCY	OFFICE OF
STATE OF OHIO DEPARTMENT OF TRANSPORTATION	STRUCTURAL ENGINEERING
DESIGNED BY	DATE
CFI/AJM	01-20-94
CHECKED BY	
WTL/LMW	
REVISIONS	
11-12-93	
2-14-97	
04-20-01	
EXJ-4-87	
STANDARD	
STRIP SEAL EXPANSION JOINTS	
STEEL STRINGER STRUCTURES	
3	5